

<b>INTRODUCTION</b>	<b>2</b>
<b>CREATING A HARDCOVER BOOK</b>	<b>3</b>
<b>CUSTOMIZING OPTIONS</b>	<b>6</b>
<b>ADDING HEADBANDS</b>	<b>7</b>
<b>ABOUT FOILFAST® TITLE SHEETS</b>	<b>8</b>
<b>FOILFAST® TITLE SHEET TIPS</b>	<b>9</b>
<b>SPINE TITLING</b>	<b>10</b>
<b>TROUBLESHOOTING</b>	<b>11</b>
<b>GLOSSARY</b>	<b>12</b>
<b>COPYRIGHT &amp; WARRANTY</b>	<b>14</b>
<b>ÍNDICE</b>	<b>15</b>
<b>TABLE DES MATIÈRES</b>	<b>29</b>

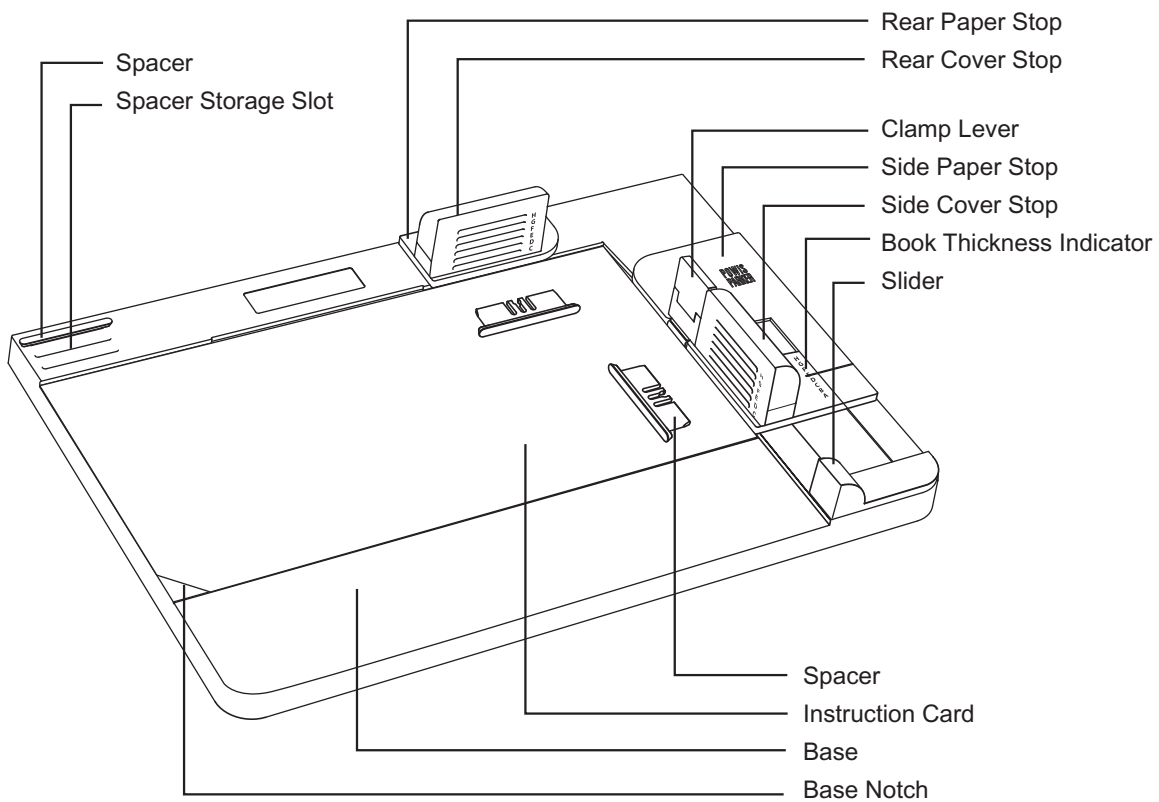
This manual was bound  
with a Fastback® binder

## INTRODUCTION

The Fastback Hardcover™ Binding System is a revolutionary new system for creating professional hard cover books on-demand. There is no set-up and you can make a book within a minute. The key to the system is the Fastback Hardcover Guide. The Guide performs the following functions:

- It specifies the correct cover spine width.
- It positions and assists the assembly of your printed pages into the hard cover.
- It positions and assists the application of Foilfast Title Sheets.

Whether you are looking for a cost-effective way to produce books for resale, or you want to create memory books for your children and friends, the Fastback Hardcover product line is the perfect solution.



## CREATING A HARDCOVER BOOK

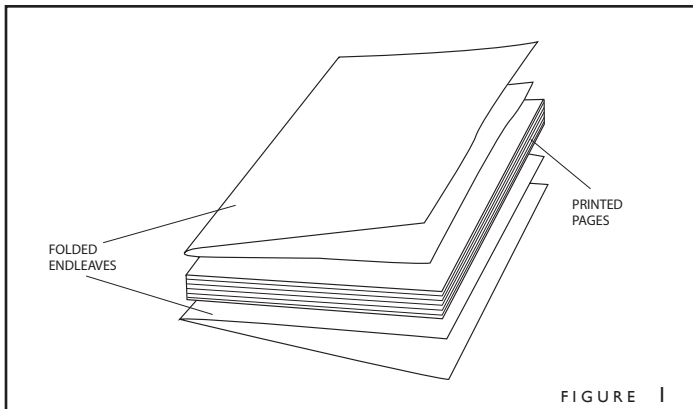


FIGURE 1

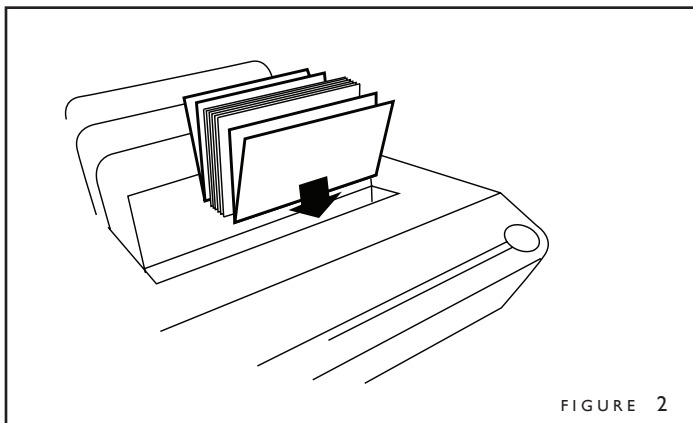


FIGURE 2

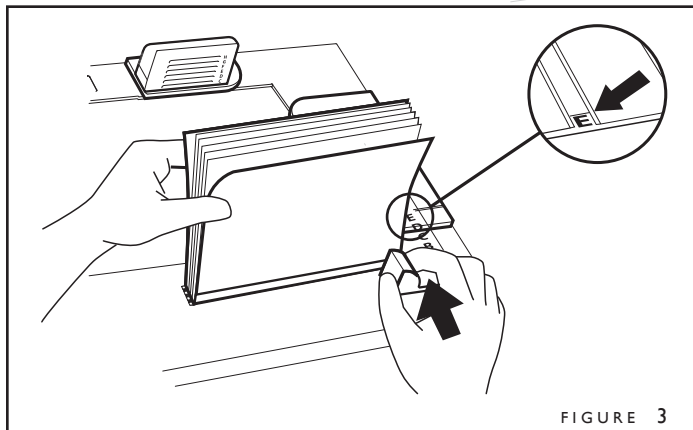


FIGURE 3

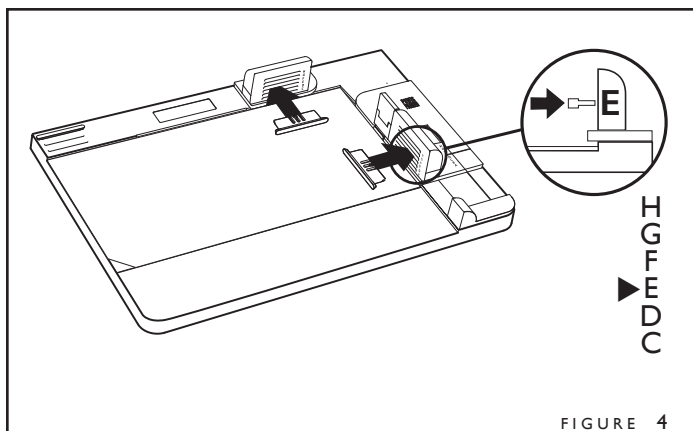


FIGURE 4

Fastback Hardcovers™ are currently available in many popular sizes, from 8½" to A4. You may select from Suede and premium Composition covers as well as Library and Art cloths, with a great choice of colors and materials. Check with your dealer for more information.

Before binding your pages, place folded Fastback® endleaves at the front and the back of your printed pages (Fig. 1). The folds should be at the spine side of your pages.

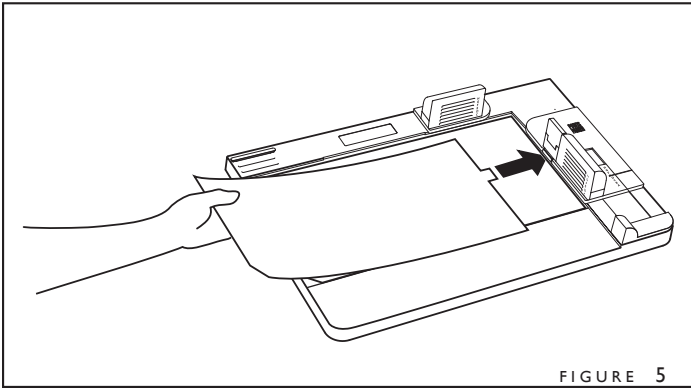
Insert this book block (with the endleaves folded end down) into the binding cavity of the Fastback binder (Fig. 2) Bind the book block using a Hardcover Linen strip. This strip was specially designed for binding hard cover books. They are more flexible than other strips so there is less stiffness when turning the pages, plus they give an enhanced look to your book.

*For a traditional finishing touch, add headbands to the top and bottom of the spine after binding the book block. Refer to page 7.*

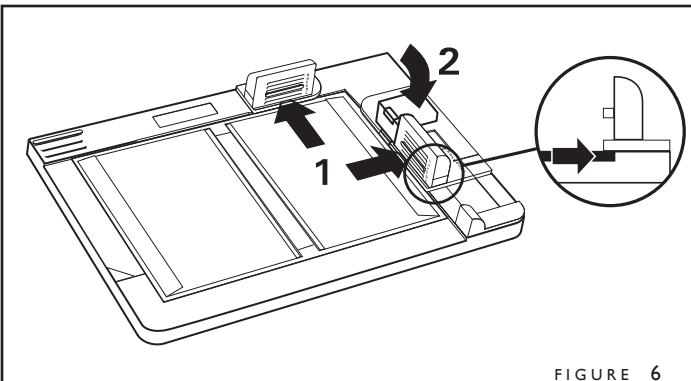
The correct cover spine width is determined by the thickness of the bound book block. After your book block has cooled, place it between the right purple cover stop and the slider handle at the front right corner of the Guide. Slide the handle against the book block (Fig. 3). The horizontal line points to the letter size of which cover width to use. Covers are available in six sizes, A-F.

When using wider covers (sizes C to F), it is necessary to use the plastic spacers provided with the Guide. Without these spacers, the book block may skew, resulting in an imperfect bind. The spacers are stored in slots at the rear left corner of the Guide. We have provided three spacers, although you only use two at a time. The third one is an spare. To use the spacers, push them into the lettered slots on the cover stops as indicated by corresponding width (Fig. 4). For example, for an E width book, the spacers should be inserted in the slots marked 'E'.

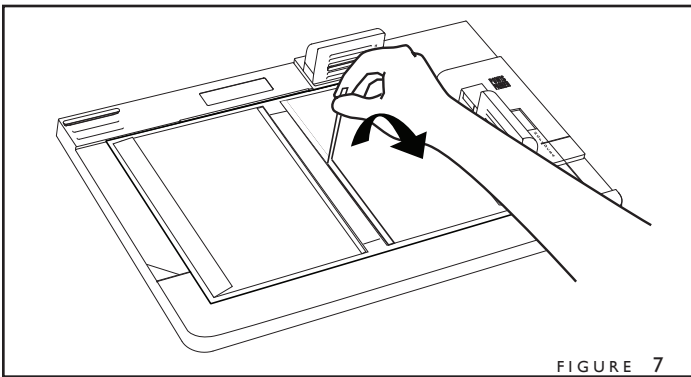
## CREATING A HARDCOVER BOOK (cont.)



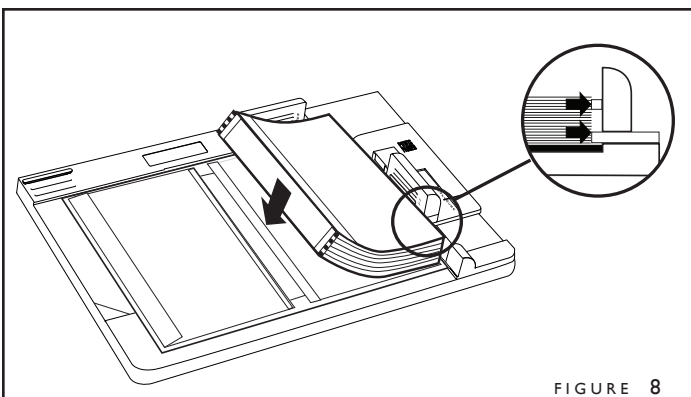
Slide the Instruction Card to the upper right corner of the base (Fig. 5). The white tab fits under the clamp and the front left angle fits behind the base notch. **For thicker covers, this card should be removed.**



Place your Fastback Hardcover™ on the Guide with the release papers facing up, (the back cover of the book should be to the right). Slide the cover to the right rear corner of the base (Fig.6–Step 1). The right and top edges of the cover should contact the right and rear steps of the base, with the cover under the paper stops (step 1 arrows). Flip the lever to the right to clamp the cover in place (step 2 arrows).

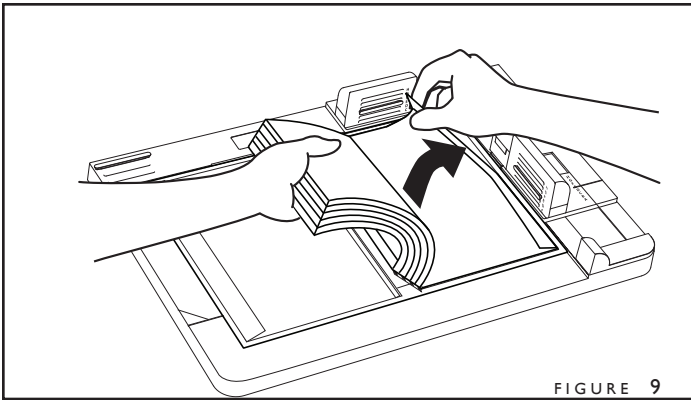


Remove the strip of narrow release paper to the right of the spine (Fig. 7).

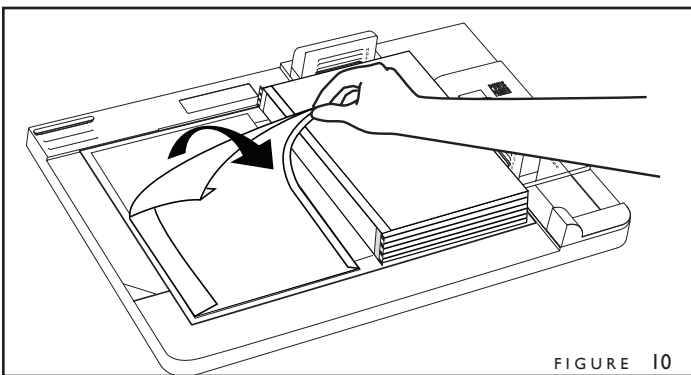


With the front of your book block facing up, push the page edges against the top and side green paper stops (and spacers if required — see page 3, Fig. 4). With the page edges held against the edges of the paper stops and spacers, push the spine edge of the book block down firmly onto the exposed narrow adhesive strip (Fig. 8).

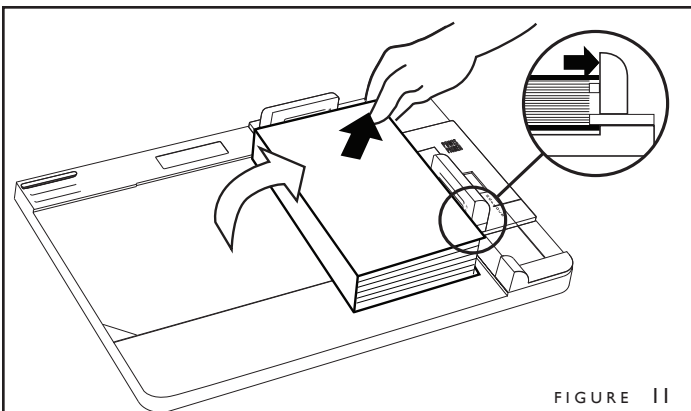
## CREATING A HARDCOVER BOOK (cont.)



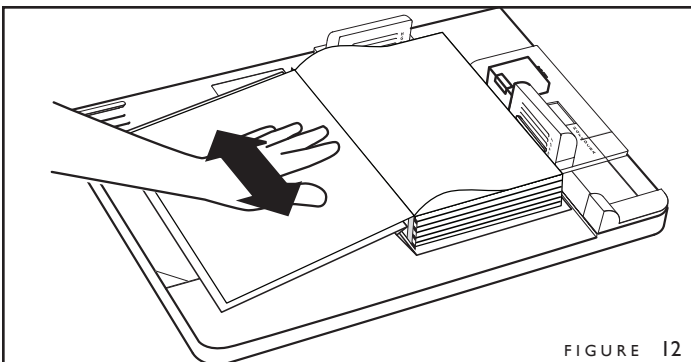
With the spine edge attached, carefully rotate the book block to the left. Remove the wide release paper on the right side (Fig. 9). Roll the book block back to the right onto the exposed adhesive, securing the back endleaf.



Remove both the narrow and wide release papers on the left hand side of the cover (Fig. 10).



Lift the front cover over the top of the book block (Fig. 11). The cover edges must contact the rear and side purple cover stops (Fig. 11 detail arrow). Then press the cover down onto the book block.



Flip the lever up to release your book. Open front and back covers to smooth down the inside endleaves (Fig. 12).

Your Fastback® Hardcover™ book is done!



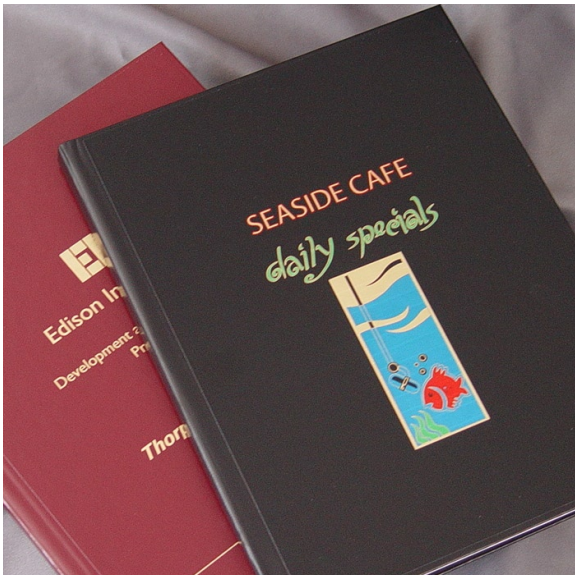
Headbands

FIGURE 13

To get the best results, take advantage of the customizing features that are offered as part of the Fastback® Hardcover™ product line.

### Headbands

Headbands are narrow strips of cloth fastened between the book block and the spine at the top and bottom of a book. Although they were once an integral part of the binding process, most headbands today are used as attractive decorative touches. Fastback Headbands come in a variety of solid and checkered color combinations (Fig. 13).



Foilfast® Title Sheets

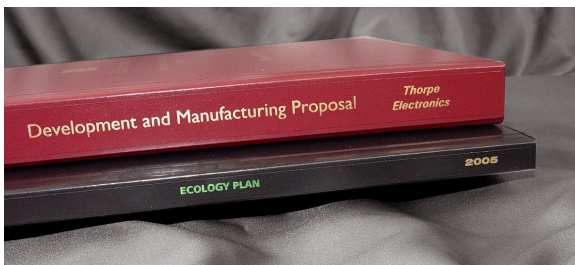
FIGURE 14

### Foilfast® Title Sheets & Spine Titling

Using Powis Parker's Foilfast® printer, you can title and decorate your covers with up to seven colors of foil (Fig 14). Foilfast Title Sheets are made of the same materials as the Fastback Hardcovers, so you are ensured of a perfect match. They may also be used to create spine titles for you books (Fig. 15).

### Traditional Techniques

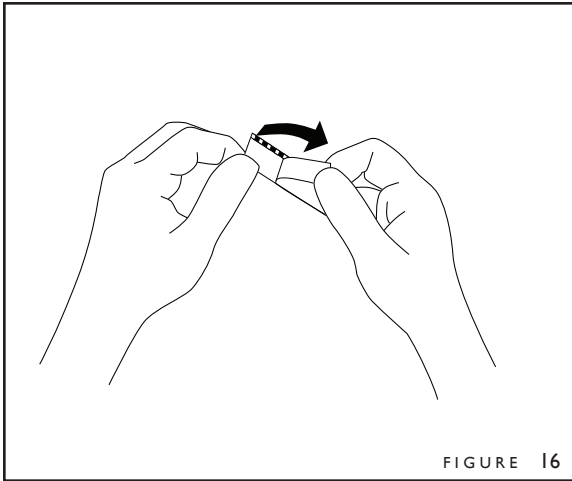
Fastback Hardcovers are real hard cover cases. They can be foil stamped, or embossed the same as any traditional cover. Contact your dealer for suggestions.



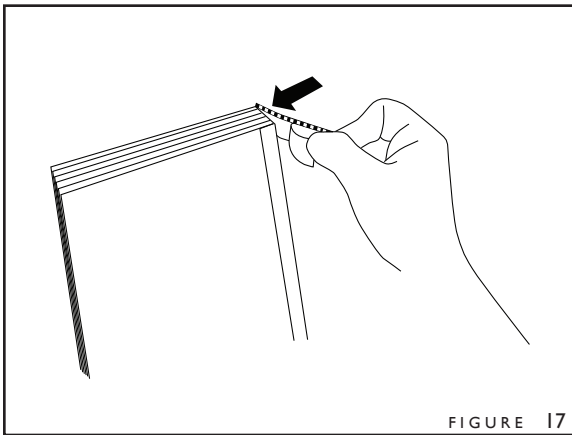
Spine Titling

FIGURE 15

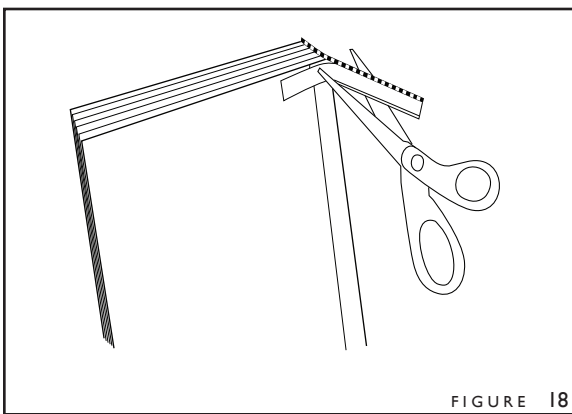
## ADDING HEADBANDS



Peel the release paper backward exposing the adhesive backing (Fig. 16).



Align the edge of the headband with the spine-edge of the book block (Fig. 17).



Cut the headband strip to the same width as the book block (Fig. 18).



## ABOUT FOILFAST® TITLE SHEETS

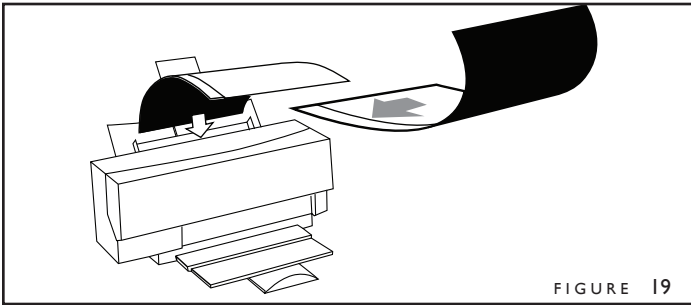


FIGURE 19

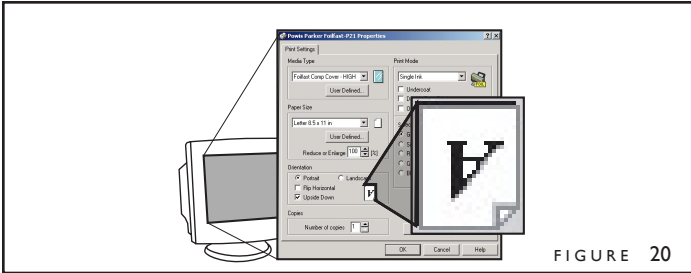


FIGURE 20

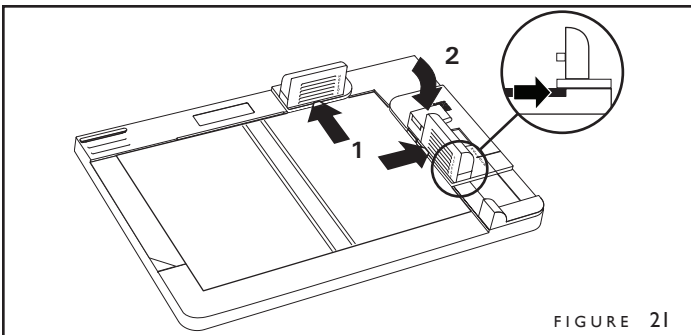


FIGURE 21

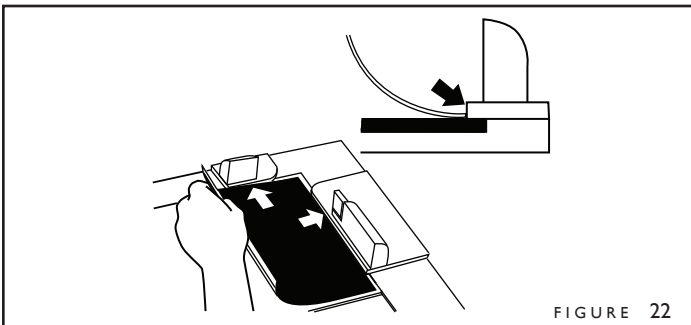


FIGURE 22

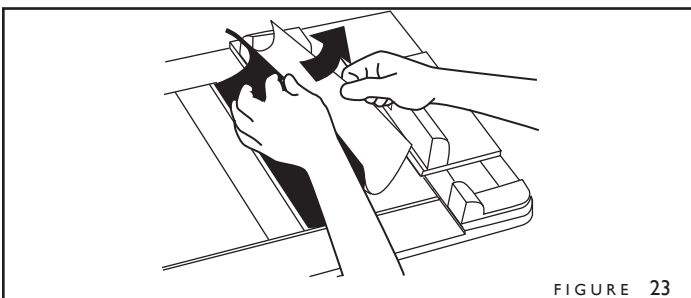


FIGURE 23

Foilfast® Title Sheets (FTS) are adhesive sheets that match the Suede and Comp covers. They are designed to work with the Foilfast® printer to let you add printing to your covers in seven colors of foil.

Insert the Foilfast® Title Sheet (FTS) into the Foilfast printer so that the narrow release paper is on the left side and facing away from you (Fig. 19).

**CAUTION:** Failure to insert the sheet in the prescribed manner can result in printing problems or machine damage.

Compose your design with any software. When you are finished choose File>Print.

Click on the “Properties” button in the Print window to open the Properties dialog box. Choose the “Upside Down” option (Fig. 20).

Put your cover in the Fastback Hardcover Guide with the exterior of the hard cover face up. Make sure that the front cover is pushed all the way into the corners of the Guide recess, beneath the green stops (Fig. 21—step 1 arrows).

Lock the cover in place by depressing the lever to the right (Fig 21—step 2 arrow).

Remove the narrow release paper from the FTS. Align the top and right sides of the FTS against the edge of the green paper stops (Fig. 22 detail). Then, press the exposed adhesive area onto the cover.

Gently lift the right end of the FTS and remove the large release paper (Fig. 23). Lay down the FTS onto your cover. Smooth down the FTS to complete your custom printed cover.



### **Design Considerations**

Foilfast® Title Sheets are slightly smaller than their corresponding covers. For instance, the FTS for the letter-size Fastback® Hardcover™ is 8-1/8" rather than 8-1/2" wide. Artwork that you want to center on the book covers should have its center 4" from the left edge of the sheet.

### **Print Quality Considerations**

Using the multiple-color ink setting on artwork that appears in only one color sometimes produces better results. Using the Clear Cover setting also produces sharper results with certain types of artwork.

Some colors, most notably white, will not print on the suede material unless you use Foil Primer undercoat.

The Clear Cover setting produces an attractive and unique effect when gold foil is used on the suede material.

Image files that print correctly in one format may appear bitmapped when printed in a different format, even though nothing other than the file format is changed. This is also true with certain programs. A PDF file that prints correctly in Adobe Illustrator, for instance, may appear bitmapped when printed with Adobe Acrobat.

## SPINE TITLING

Spine titling is a desirable addition to any bound document—the titles look professional and make documents easier to identify when they are lined up on a bookshelf.

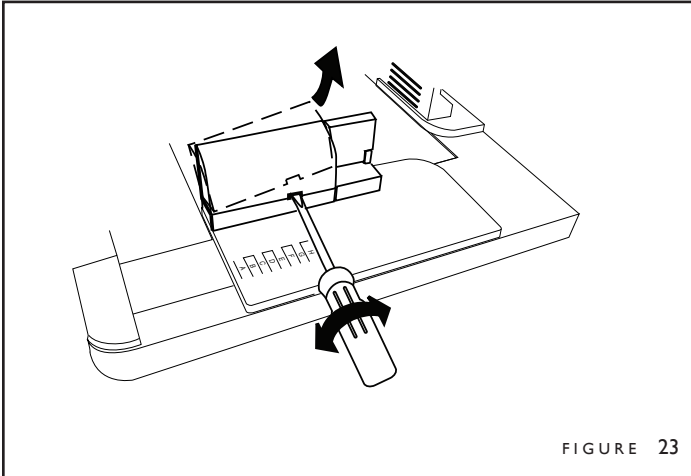
It is an easy process to create your own spine titles. We have created Microsoft Word templates for book widths A through F. You can download the templates from our website at [www.powis.com/dlrpowis/frontpages/frontpage\\_nov2103/dlrtopnews2.asp](http://www.powis.com/dlrpowis/frontpages/frontpage_nov2103/dlrtopnews2.asp). Small dots or periods placed at the trim points of the spines make it easier to trim the spines from the sheet.

Create your own spines using the following guidelines:

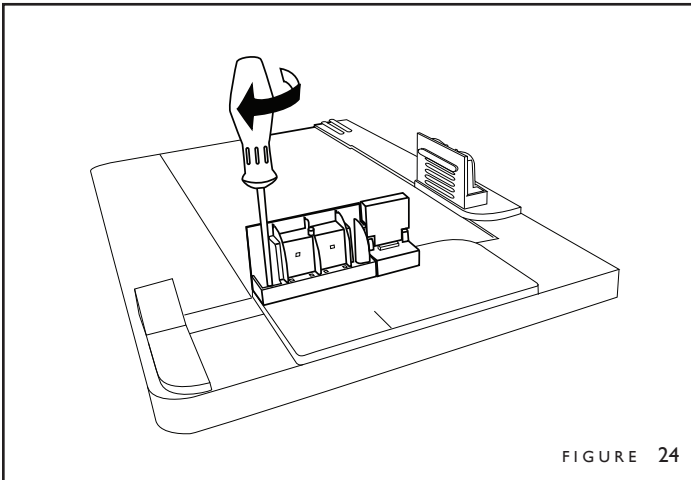
<b>Book Size</b>	<b>Spine Width</b>
A	.375"
B	.500"
C	.750"
D	1.000"
E	1.250"
F	1.500"

### Tightening the Clamp Assembly

In case the purple cover stops become loose they can be easily retightened using the following method.



Insert a standard screwdriver into the small slot under the hood of the cover stop, and gently turn the screwdriver sideways. The hood will pop off (Fig. 23).

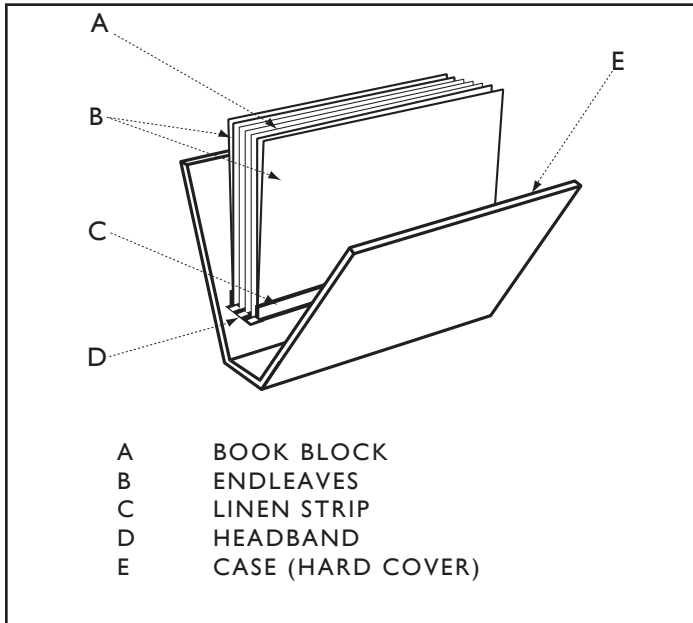


Inside the cover stop, you will see two screws. With a Phillips screwdriver tighten the screws carefully (Fig. 24).

**CAUTION:** Over-tightening the screws may damage the Guide. Do not apply more pressure than is necessary.

## GLOSSARY

Like most professions, case binding (hard cover binding) has its own terminology. Here is a glossary of terms.



### Book cloth

A specially treated woven cloth that is used to make book covers. It is very rugged and durable. Fastback Hardcover come in two styles of cloth covers: Library Cloth covers, which are designed for durability in high-use environments, and Art Cloth covers, which are designed for art and photography books. The Library Cloth covers feature more muted colors than Art Cloth covers.

### Book block

This is the interior section of the book, comprised of the printed pages of the book and the endleaves. It is important to note that the size specification of a Hardcover is based on the size the book block. A 6" × 9" Hardcover, for instance, indicates that the book block is 6" × 9", not that the cover is 6" × 9".

### Case

The term used in the binding industry for hard covers.

### Case Binding

This is the traditional method of making a hard cover book.

### Endleaf

A thick sheet of paper that is folded in half, and used to attach the book block to the cover. Two endleaves are used to make each book.

**Headband**

A narrow strip of cloth located where the book block meets the spine at the top and bottom of a book. Although it was once an integral part of the binding process, most headbands today are purely decorative. Headbands are usually either checkered or solid colors.

**Linen Strip**

The linen strip is the latest Fastback binding strip. It is a cloth strip designed specifically for use with the Fastback Hardcover Binding System. It is a very strong and especially flexible strip specially designed for hard cover binding.

## **COPYRIGHT INFORMATION**

This document contains proprietary and confidential information of Powis Parker Incorporated (PPI).

No part of this document may be photocopied, reproduced in any form, or translated into another language without prior written consent of PPI, except as allowed under the copyright laws.

Copyright© Powis Parker Incorporated 2004

All Rights Reserved.

## **WARRANTY**

The information contained in this document is subject to change without notice.

PPI makes no warranty of any kind with respect to this information. PPI specifically disclaims the implied warranty of merchantability and fitness for a particular purpose.

PPI shall not be liable for any direct, indirect, incidental, consequential, or other damage alleged in connection with the furnishing or use of this information.

## **NOTICE**

Changes are periodically made to this document. Revisions, changes, any technical inaccuracies, and typographical errors will be corrected in any subsequent editions.

<b>INTRODUCCIÓN</b>	<b>16</b>
<b>CREAR UN LIBRO DE TAPAS DURAS</b>	<b>17</b>
<b>OPCIONES DE PERSONALIZACIÓN</b>	<b>20</b>
<b>AÑADIR CABEZADAS</b>	<b>21</b>
<b>INFORMACIÓN SOBRE LAS HOJAS DE TÍTULOS FOILFAST®</b>	<b>22</b>
<b>CONSEJOS DE LA HOJA DE TÍTULOS FOILFAST®</b>	<b>23</b>
<b>TÍTULOS DE LOMOS</b>	<b>24</b>
<b>SOLUCIÓN DE PROBLEMAS</b>	<b>25</b>
<b>GLOSARIO</b>	<b>26</b>
<b>DERECHOS DE AUTOR Y GARANTÍA</b>	<b>28</b>

Este manual ha sido encuadernado  
con un encuadernador Fastback®

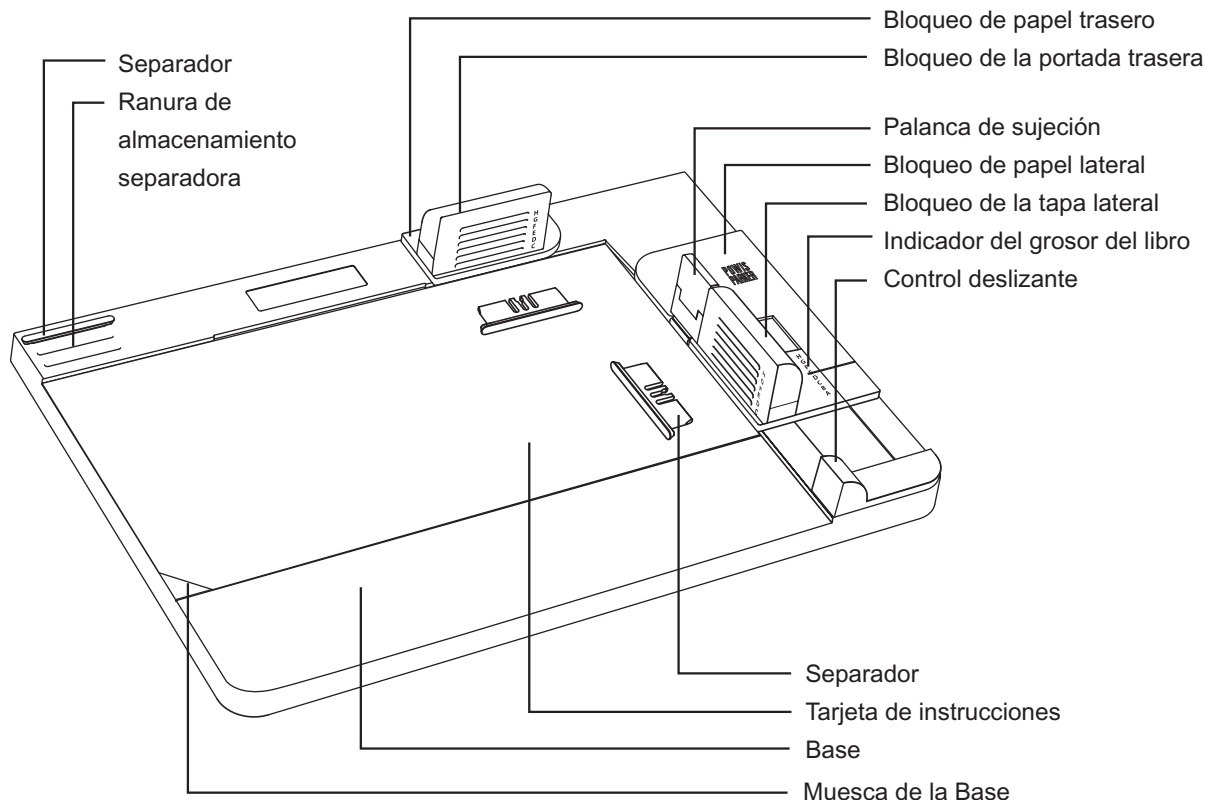


## INTRODUCCIÓN

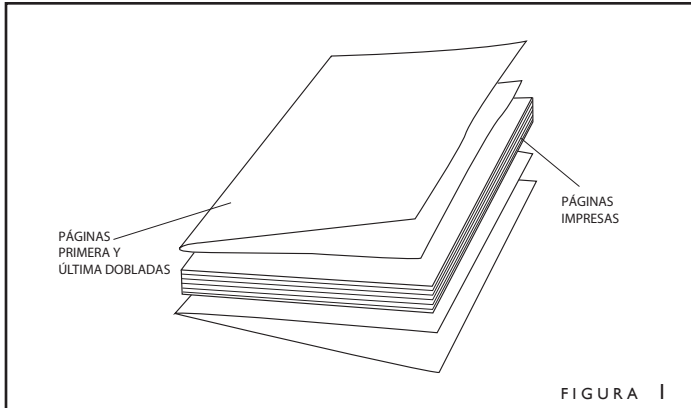
El sistema de encuadernación Fastback Hardcover™ es un nuevo sistema revolucionario para la creación profesional de libros de tapas duras por encargo. No es necesaria ninguna preparación y puede encuadernarse un libro en un minuto. La clave del sistema es la guía Fastback Hardcover. La guía realiza las siguientes funciones:

- Especifica el ancho correcto del lomo de las tapas.
- Orienta y ayuda en el montaje de sus páginas impresas dentro de las tapas.
- Orienta y ayuda en la aplicación de las hojas de títulos Foilfast.

Si busca un modo rentable de fabricar libros para revender o, si desea encuadernar libros de recuerdos para sus hijos y amigos, la solución perfecta es la línea de productos Fastback Hardcover.

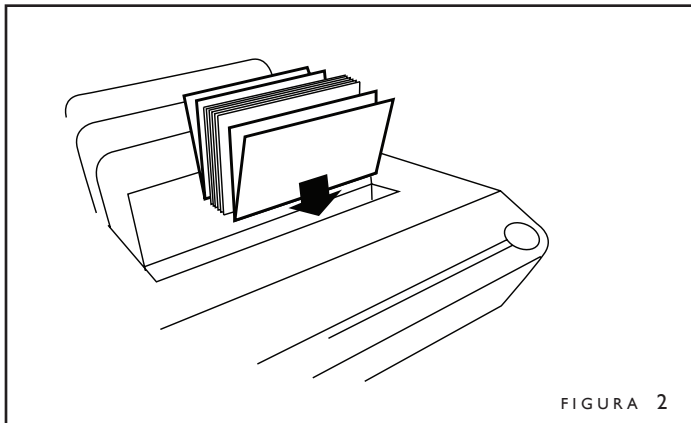


## CREAR UN LIBRO DE TAPAS DURAS



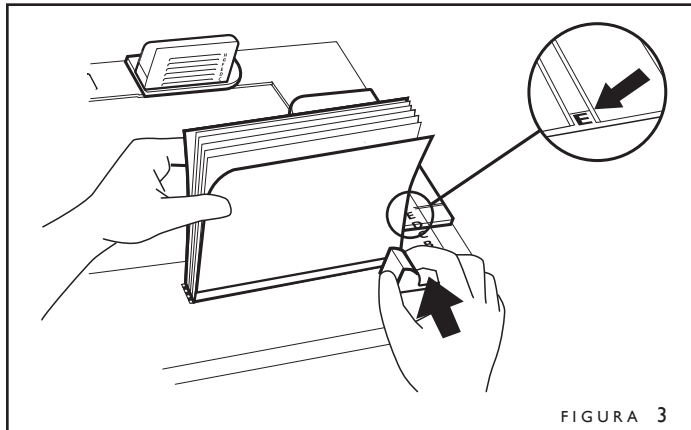
Actualmente, hay disponibles tapas duras de Fastback en muchas medidas habituales, desde tamaño CD a 27,94 cm (11 pulg.), pasando por 21,59 cm (8,5 pulg.). Puede elegir entre materiales de napa y composición de calidad superior, y telas artísticas y de biblioteca, con una gran selección de colores y materiales. Para obtener más información, consulte a su distribuidor.

Antes de encuadernar sus hojas, coloque las hojas primera y última de Fastback dobladas en la parte delantera y trasera de sus páginas impresas (Fig. 1). Los dobleces deben estar en el lado del lomo de sus páginas.

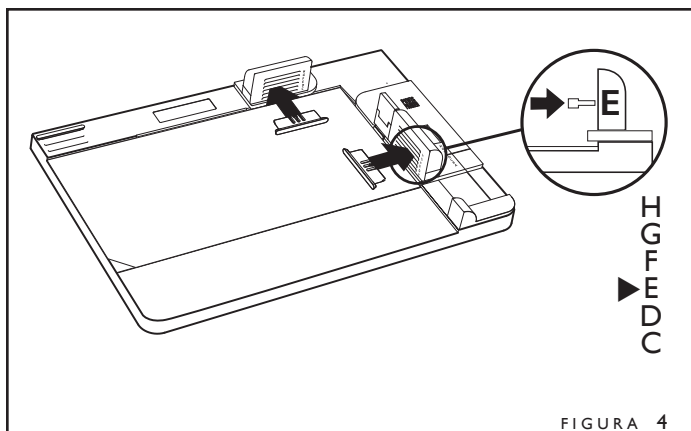


Inserte el bloque del libro (con las hojas primera y última dobladas hacia abajo) en la cavidad de encuadernación del encuadernador Fastback (Fig. 2). Encuademe el libro utilizando una tira Hardcover Linen. Esta tira ha sido diseñada especialmente para encuadernar libros de tapa dura. Son más flexibles que otras tiras de modo que hay una rigidez menor cuando se pasan las páginas, y además mejoran el aspecto de su libro.

*Puede darse un último toque tradicional añadiendo una cabezada en la parte superior e inferior del lomo después de encuadernar el libro. Consulte la página 21.*

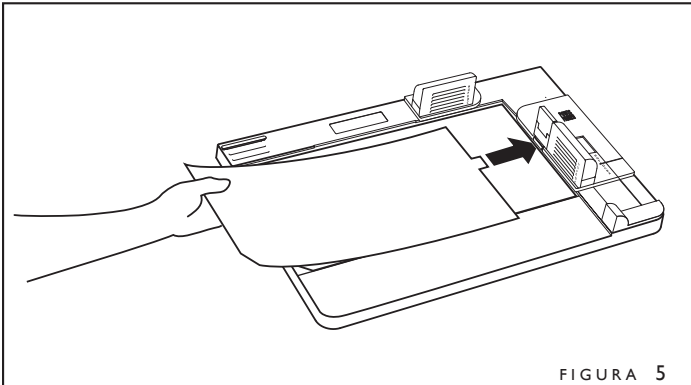


El ancho correcto de la tapa del lomo queda determinado por el grosor del bloque del libro encuadernado. Cuando el bloque de su libro ya se haya enfriado, colóquelo entre el bloqueo de la portada derecho morado y el mango del control deslizante de la esquina derecha delantera de la guía. Deslice el mango contra el bloque del libro (Fig. 3). La línea horizontal señala el tamaño de letra del ancho de portada que debe utilizar. Hay disponibles seis tamaños de portadas, de la A a la F.

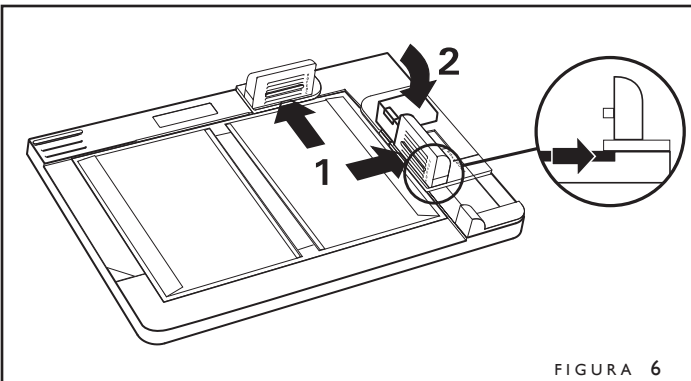


Cuando utilice las portadas más anchas (medidas C a F), es necesario utilizar los separadores de plástico que se suministran con la guía. Sin estos separadores, el bloque del libro podría ladearse, dando como resultado una encuadernación imperfecta. Los separadores se guardan en ranuras en la esquina izquierda trasera de la guía. Suminstramos tres separadores, aunque sólo utilizará dos cada vez. El tercero es de repuesto. Para utilizar los separadores, empújelos en las ranuras con letras en los bloqueos de la tapa según lo indique el ancho correspondiente (Fig. 4). Por ejemplo, para un libro con ancho E, los separadores se deberían insertar en las ranuras marcadas con una "E".

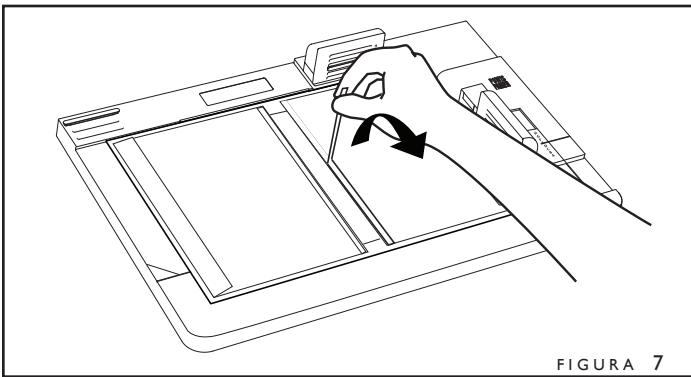
## CREAR UN LIBRO DE TAPAS DURAS (cont.)



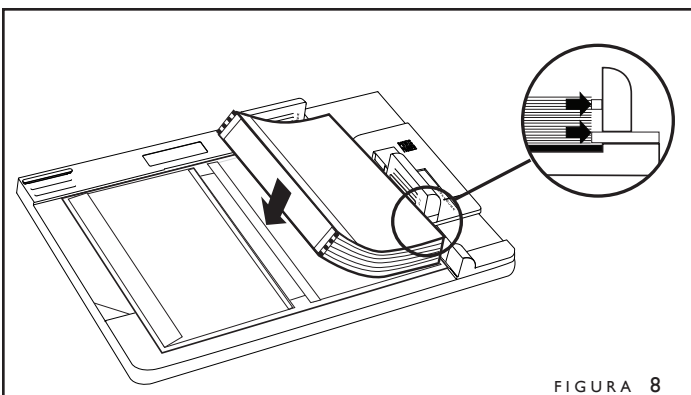
Deslice la tarjeta de instrucciones hasta la esquina derecha superior de la base (Fig. 5). La pestaña blanca se acopla debajo de la sujeción y el ángulo izquierdo delantero se acopla en la muesca de la base. **Para tapas más gruesas, se debe retirar esta tarjeta.**



Coloque su Fastback Hardcover™ en la guía con los papeles desprendibles hacia arriba (la tapa trasera del libro debería estar situada a la derecha). Deslice la tapa hasta la esquina derecha trasera de la base (Fig. 6 – Paso 1). Los extremos derecho y superior de la tapa deberían estar en contacto con los pasos derecho y trasero de la base, con la tapa debajo de los bloqueos del papel (flechas paso 1). Levante la palanca hacia la derecha para sujetar en su sitio la tapa dura (flechas paso 2).

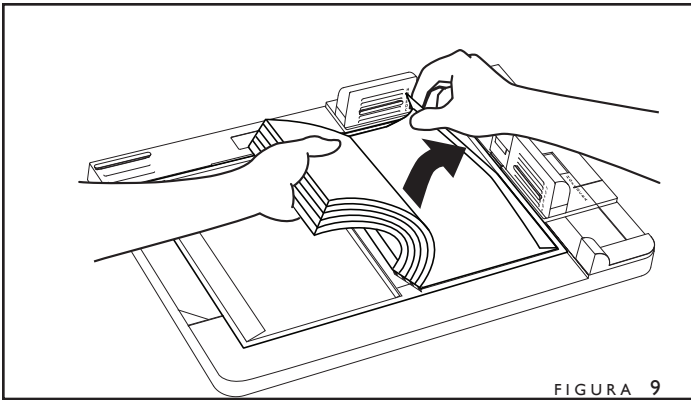


Retire la tira estrecha de papel desprendible a la derecha del lomo (Fig. 7).

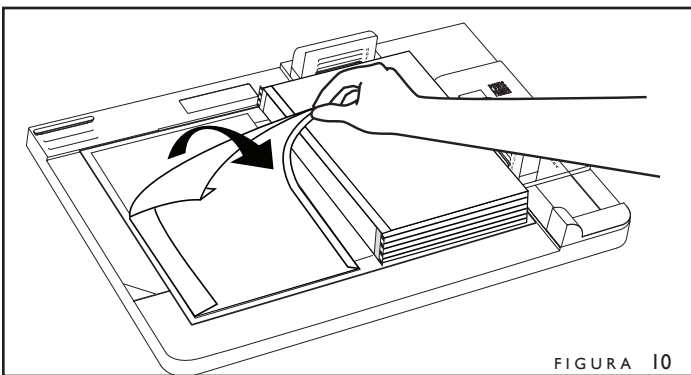


Con la parte delantera de su bloque de libro hacia arriba, empuje los cantos de las páginas contra la parte superior y lateral verde de los bloqueos del papel (y los separadores, si fuese necesario; consulte la página 17, Fig. 4). Con los cantos de las páginas sujetos contra los cantos de los bloqueos del papel y separadores, empuje con firmeza el canto del lomo del bloque del libro hacia abajo sobre la tira adhesiva estrecha descubierta (Fig. 8).

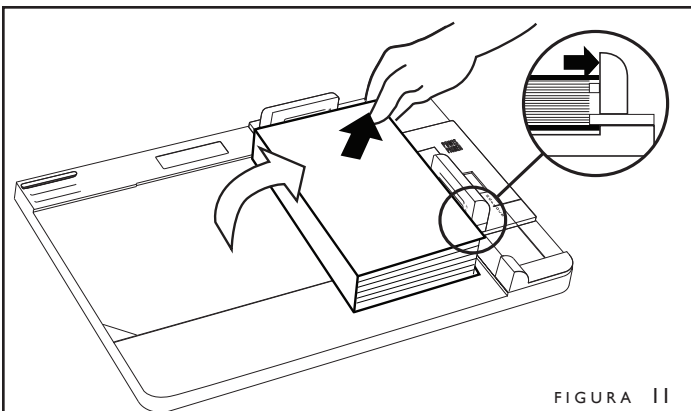
## CREAR UN LIBRO DE TAPAS DURAS (cont.)



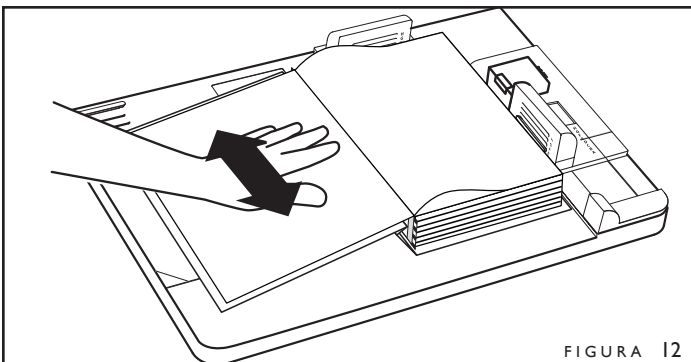
Con el canto del lomo fijado, gire con cuidado el bloque del libro a la izquierda. Desprenda el papel desprendible ancho situado a la derecha (Fig. 9). Gire la parte trasera del bloque del libro sobre el adhesivo descubierto, asegurando la página final trasera.



Desprenda los papeles desprendibles situados a la izquierda de la tapa, tanto el ancho como el estrecho (Fig. 10).



Levante la tapa delantera y colóquela sobre la parte superior del bloque del libro (Fig. 11). Los cantos de la tapa deben estar en contacto con los bloqueos de la tapa morados posterior y lateral (detalle flecha Fig. 11). Después presione la tapa hacia abajo sobre el bloque del libro.



Levante la palanca hacia arriba para soltar su libro. Abra cada tapa para alisar las páginas interiores primera y última (Fig. 12).

¡Ya está hecho su libro Fastback® Hardcover™!



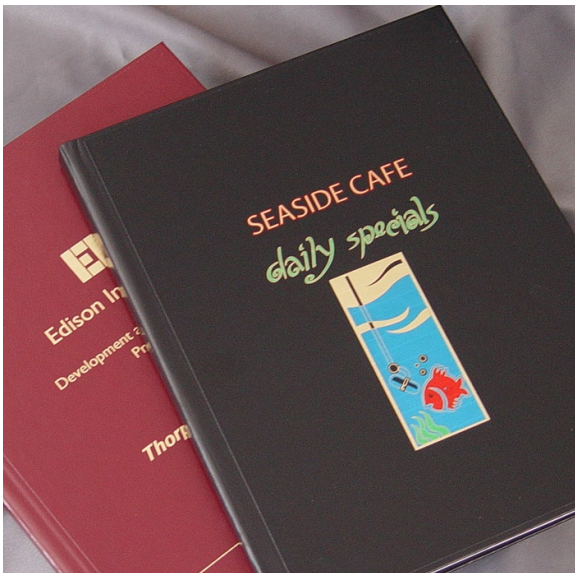
Cabezadas

FIGURA 13

Para obtener los mejores resultados, aproveche las posibilidades de personalización que se ofrecen como parte de la línea de productos Fastback® Hardcover™.

### Cabezadas

Las cabezadas son tiras estrechas de tela fijadas entre el bloque de libro y el lomo en la parte superior e inferior del libro. Aunque una vez fueron parte integral en el proceso de encuadernación, hoy en día la mayoría de las cabezadas se utilizan como atractivos toques decorativos. Existe una gran variedad de cabezadas Fastback en combinaciones de colores lisos y ajedrezados. (Fig. 13).



Hojas de títulos Foilfast®

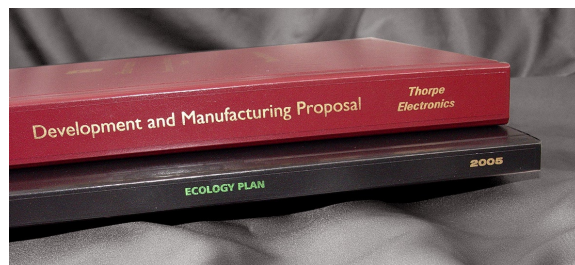
FIGURA 14

### Hojas de títulos y títulos de lomo Foilfast®

Utilizando la impresora Foilfast® de Powis Parker, puede poner títulos y decorar sus tapas con un máximo de siete colores de lámina (Fig. 14). Para garantizar una combinación perfecta, las hojas de títulos Foilfast están hechas de los mismos materiales que las tapas duras Fastback. También se pueden utilizar para crear títulos de lomos para sus libros (Fig. 15).

### Técnicas tradicionales

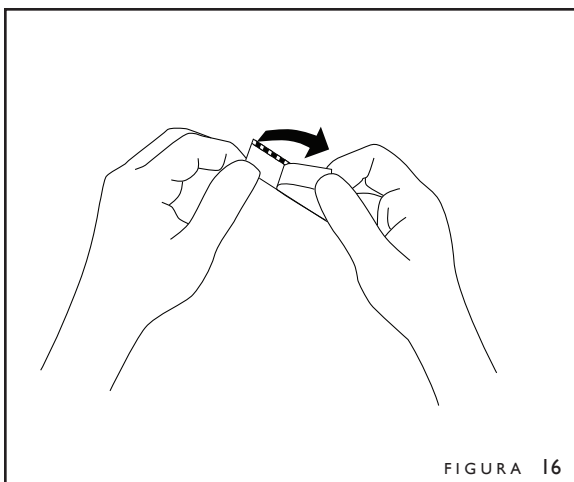
Las Fastback Hardcover son auténticas tapas duras. Pueden ser estampadas con láminas o estampadas en relieve de igual manera que cualquier tapa tradicional. Póngase en contacto con su distribuidor para obtener sugerencias.



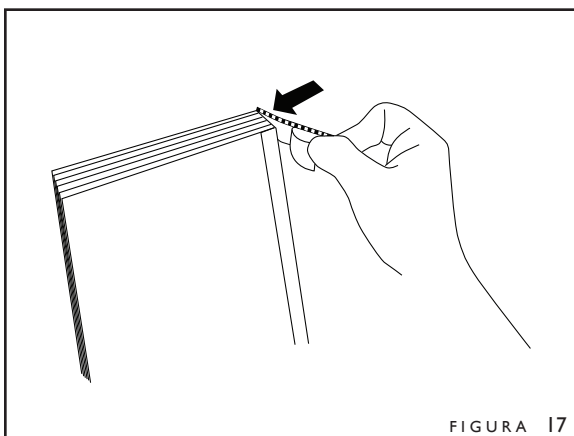
Títulos para lomos

FIGURA 15

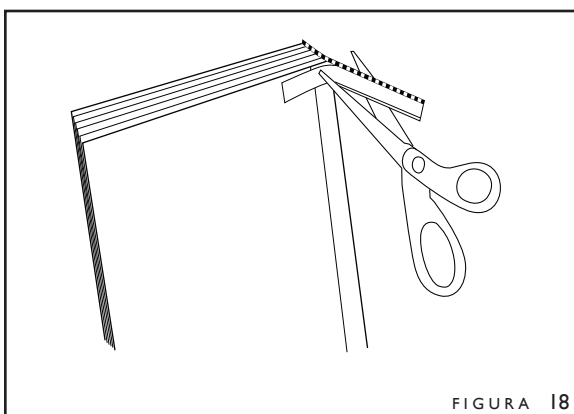
## AÑADIR CABEZADAS



Retire el papel desprendible de la parte trasera para descubrir el dorso adhesivo (Fig. 16).



Alinee el canto de la cabezada con el canto del lomo del bloque del libro (Fig. 17).



Corte la tira de la cabezada al mismo ancho del bloque del libro (Fig. 18).



## INFORMACIÓN SOBRE LAS HOJAS DE TÍTULOS FOILFAST®

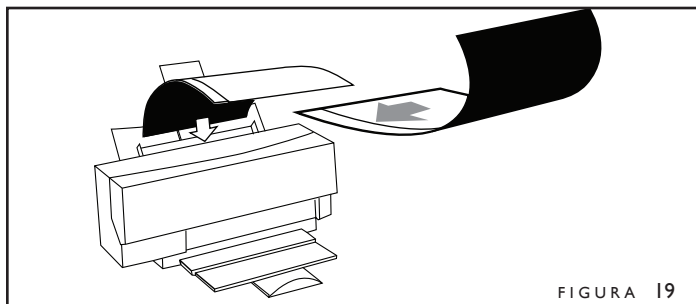


FIGURA 19

Las hojas de títulos Foilfast® (Foilfast® Title Sheets, FTS) son hojas adhesivas que hacen juego con las tapas de napa y composición. Están diseñadas para que funcionen con la impresora Foilfast® para permitirle añadir impresiones a sus tapas en siete colores de láminas.

Introduzca la hoja de títulos Foilfast® en la impresora Foilfast de modo que el papel suelto estrecho quede a la izquierda y no de cara a usted (Fig. 19).

**PRECAUCIÓN:** no introducir la hoja de la manera recomendada puede causar problemas de impresión o averías en la impresora.

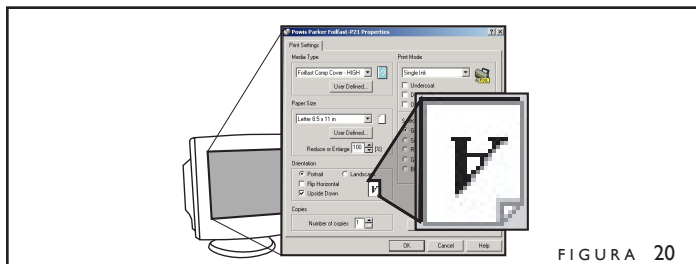


FIGURA 20

Realice su diseño con cualquier programa de software. Cuando haya terminado, seleccione Archivo>Imprimir.

Haga clic sobre el botón de "Propiedades" en la ventana de impresión para abrir el cuadro de diálogo de Propiedades. Seleccione la opción "Invertido" (Fig. 20).

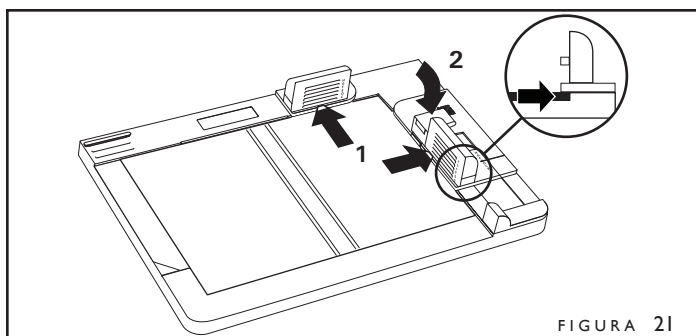


FIGURA 21

Coloque su tapa dura en la guía Fastback Hardcover con el exterior de la tapa dura hacia arriba.

Asegúrese de que la portada esté completamente ajustada en las esquinas del hueco de la guía, por debajo de los bloqueos verdes (Flechas paso 1 – Fig. 21).

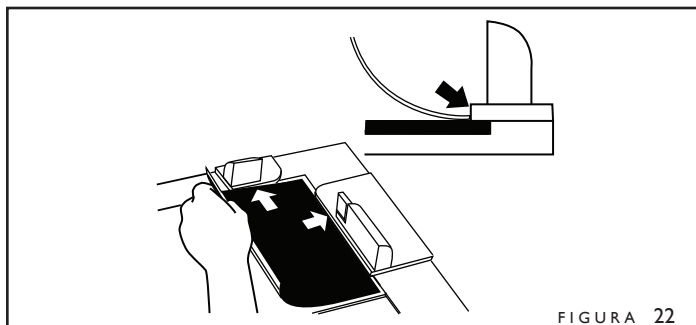


FIGURA 22

Encaje la tapa en su sitio presionando la palanca a la derecha (Flecha paso 2 – Fig. 21).

Retire el papel desprendible estrecho de la FTS. Alinee los lados superior y derecho de la FTS contra el canto del bloqueo del papel verde (Detalle Fig. 22). Después, presione la zona del adhesivo descubierto sobre la tapa.

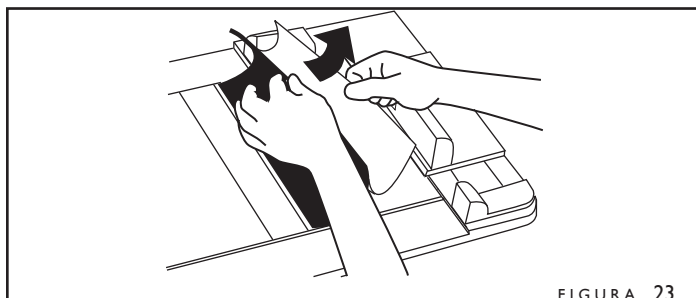


FIGURA 23

Levante suavemente el extremo derecho de la FTS y retire el papel desprendible grande (Fig. 23). Fije la FTS sobre su tapa. Alise la FTS para finalizar su tapa impresa personalizada.



### **Cuestiones de diseño**

Las hojas de títulos Foilfast® son ligeramente más pequeñas que sus tapas duras correspondientes. Por ejemplo, la FTS para la Fastback® Hardcover™ tamaño carta es de 20,6 cm (8,125 pulg.) en lugar de 21,5 cm (8,5 pulg.) de ancho. Si desea centrar un diseño en las tapas del libro, coloque su centro a 10,16 cm (4 pulg.) del canto izquierdo de la hoja.

### **Cuestiones de calidad de la impresión**

A veces produce mejores resultados utilizar la configuración de tinta de muchos colores para imprimir diseños de un solo color. Con ciertos tipos de diseño, utilizar una cubierta clara también produce unos resultados más nítidos.

Algunos colores, en especial el blanco, no se imprimirán sobre la napa a menos que utilice la base de imprimación de lámina.

La configuración de tapa transparente produce un efecto único y muy atractivo cuando se utiliza lámina de oro sobre napa.

Puede suceder que los archivos de imágenes que se imprimen correctamente en un formato aparezcan en formato de mapa de bits cuando se imprimen en un formato diferente, aunque lo único que se haya cambiado sea el formato del archivo. Esto también ocurre en ciertos programas. Un archivo PDF que se imprime correctamente en Adobe Illustrator, por ejemplo, puede aparecer con formato de mapa de bits cuando se imprime con Adobe Acrobat.

## TÍTULO DEL LOMO

La impresión del título del lomo es un suplemento deseable para cualquier documento encuadernado, pues los títulos confieren un acabado profesional y hacen que sea más fácil la identificación cuando se colocan en una estantería.

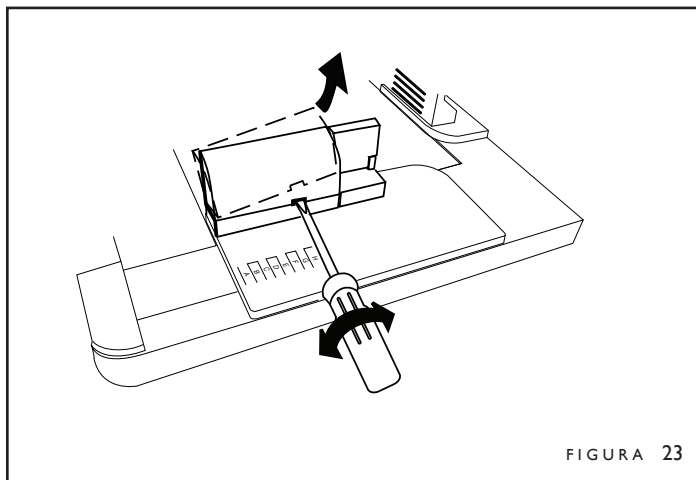
Crear sus propios títulos en el lomo es un proceso sencillo. Hemos creado plantillas en Microsoft Word para los anchos de los libros de la A a la F. Puede descargar las plantillas de nuestra página web en [www.powis.com/dlrpowis/frontpages/frontpage\\_nov2103/dlrtpnews2.asp](http://www.powis.com/dlrpowis/frontpages/frontpage_nov2103/dlrtpnews2.asp). Los pequeños puntos o marcas en los puntos de corte de los lomos hacen que sea más fácil recortar los lomos de la hoja.

Cree sus propios lomos utilizando las siguientes pautas:

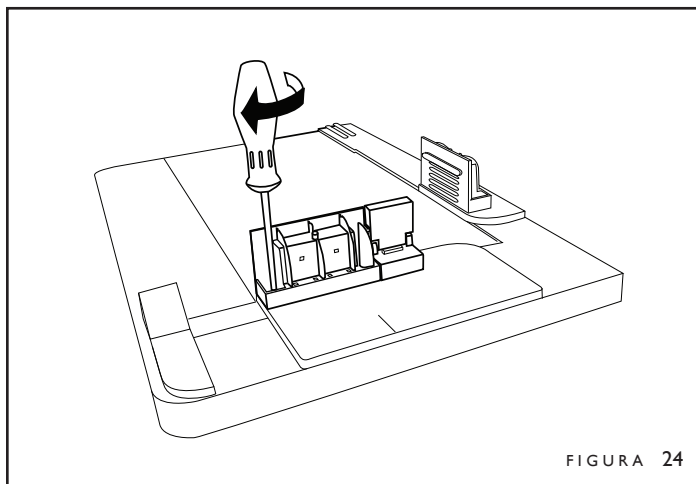
Tamaño del libro	Ancho del lomo
A	0,95 cm 0,375 pulg.
B	1,27 cm 0,500 pulg.
C	1,9 cm 0,750 pulg.
D	2,54 cm 1,000 pulg.
E	3,17 cm 1,250 pulg.
F	3,81 cm 1,500 pulg.

### Apretar el ensamblaje de sujeción

En caso que los bloqueos de la tapa morada se suelten, se pueden apretar de nuevo fácilmente utilizando el método siguiente.



Introduzca un destornillador normal en la ranura pequeña situada debajo de la carcasa del bloqueo de la tapa, y gire suavemente el destornillador en sentido lateral. La carcasa se desprenderá (Fig. 23).



Dentro del bloqueo de la tapa, verá dos tornillos. Con un destornillador de estrella apriete los tornillos con cuidado (Fig. 24).

**PRECAUCIÓN:** si aprieta los tornillos demasiado puede averiar la guía. No realice más presión de la necesaria.

## GLOSARIO

Al igual que la mayoría de las profesiones, la encuadernación a la caja (encuadernación de tapa dura) posee su terminología propia. A continuación encontrará un glosario de términos.

### Bloque de libro

Se trata de la sección interior del libro, compuesto por las páginas impresas del libro y la primera y última página. Es importante tener en cuenta que la especificación del tamaño de una tapa dura se basa en el tamaño del bloque de libro. Por ejemplo, una tapa dura 15,24 cm x 22,86 cm (6 pulg. x 9 pulg.), indica que el bloque del libro es 15,24 cm x 22,86 cm, no que la tapa sea 15,24 cm x 22,86 cm.

### Caja

El término se utiliza en la industria de la encuadernación para las tapas duras.

### Cabezada

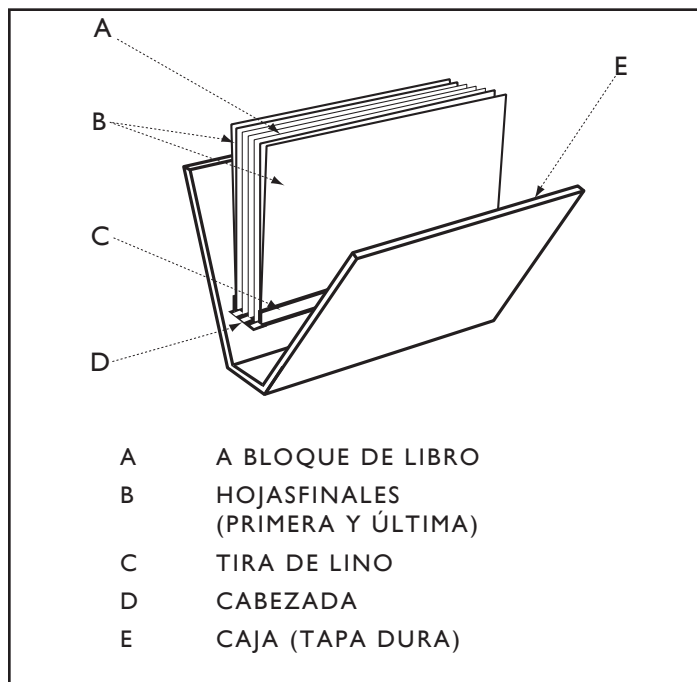
Una tira estrecha de tela situada donde se unen el bloque de libro y el lomo en la parte superior e inferior del libro. Aunque en un tiempo formó parte integral del proceso de encuadernación, hoy en día las cabezadas son meramente decorativas. Las cabezadas habitualmente son o bien ajedrezadas o de un color liso.

### Encuadernación a la caja

Se trata del método tradicional para confeccionar un libro de tapa dura.

### Hoja final

Una hoja de papel grueso que está doblada por la mitad y se utiliza para unir el bloque del libro a la tapa. Se utilizan dos hojas finales (hoja primera y última) para confeccionar cada libro.



### **Tela de libro**

Una tela especialmente tratada que se utiliza para realizar tapas de libros. Es muy resistente y duradera. Las Fastback Hardcover están disponibles en dos tipos de tapas de tela: tapas de tela de biblioteca, que han sido diseñadas para una gran durabilidad en entornos de mucho uso, y tapas de tela artística, que están diseñadas para libros de arte y de fotografías. Las tapas de tela de biblioteca presentan colores menos intensos que las tapas de tela artística.

### **Tira de lino**

La tira de lino es la última tira de encuadernación de Fastback. Se trata de una tira de tela diseñada especialmente para su uso con el sistema de encuadernación de tapas duras Fastback. Se trata de una tira muy fuerte y especialmente flexible diseñada específicamente para la encuadernación de tapa dura.

## **INFORMACIÓN SOBRE LOS DERECHOS DE AUTOR**

Este documento contiene información confidencial y de propiedad exclusiva de Powis Parker Incorporated (PPI).

Ninguna parte de este documento puede ser fotocopiada, ni reproducida de ninguna manera, ni traducida a otro idioma sin el consentimiento por escrito previo de PPI, excepto según lo permita la legislación reguladora de los derechos de autor.

Copyright© Powis Parker Incorporated 2004

Todos los derechos reservados.

## **GARANTÍA**

La información contenida en el presente documento queda sujeta a cambio sin previo aviso.

PPI no concede ninguna garantía de ningún tipo en relación con esta información. PPI niega específicamente la garantía implícita de comerciabilidad y adecuación para un uso particular.

PPI no será responsable de ningún daño directo, indirecto, circunstancial, resultante, o de cualquier tipo alegado en relación con el suministro o uso de esta información.

## **AVISO**

Periódicamente, se realizan cambios en este documento. Las revisiones, los cambios y cualquier inexactitud técnica, así como los errores tipográficos, se corregirán en las siguientes ediciones.

<b>INTRODUCTION</b>	<b>30</b>
<b>RÉALISATION D'UN OUVRAGE À RELIURE RIGIDE</b>	<b>31</b>
<b>CHOIX DE PERSONNALISATION</b>	<b>34</b>
<b>AJOUT DES TRANCHEFILES</b>	<b>35</b>
<b>APPLICATION DE LA FEUILLE DE TITRE FOILFAST®</b>	<b>36</b>
<b>CONSEILS - FEUILLE DE TITRE FOILFAST®</b>	<b>37</b>
<b>TITRAGE DU DOS DE LA RELIURE</b>	<b>38</b>
<b>DIAGNOSTIC DES PROBLÈMES</b>	<b>39</b>
<b>GLOSSAIRE</b>	<b>40</b>
<b>DROITS D'AUTEUR ET GARANTIE</b>	<b>42</b>

Ce manuel a été réalisé  
avec un relieur Fastback®

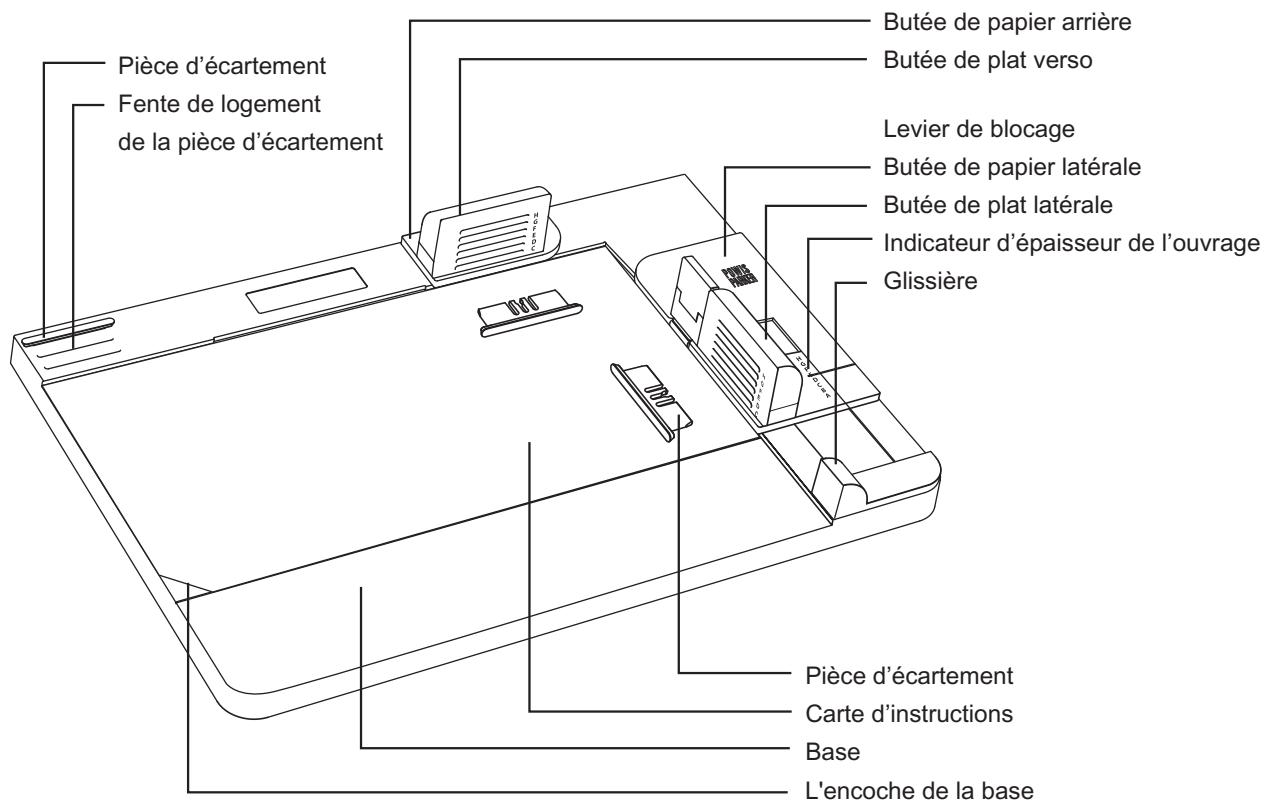


## INTRODUCTION

Le système de reliure Fastback Hardcover™ constitue un nouveau moyen révolutionnaire pour réaliser immédiatement des ouvrages en reliure rigide de qualité professionnelle. Aucune préparation n'est nécessaire, l'ouvrage est prêt en quelques minutes. La clé du système est le guide Fastback Hardcover, qui remplit les fonctions suivantes :

- Il spécifie la largeur de dos de reliure correcte à utiliser ;
- Il place et aide à l'assemblage des pages imprimées dans votre reliure ;
- Il place et aide à l'application des feuilles de titre Foilfast.

Si vous êtes à la recherche d'un moyen économique de produire des livres pour la revente, ou si vous désirez réaliser des albums souvenirs pour vos enfants et vos amis, vous trouverez la solution parfaite dans la gamme des produits Fastback Hardcover.



## RÉALISATION D'UN OUVRAGE À RELIURE RIGIDE

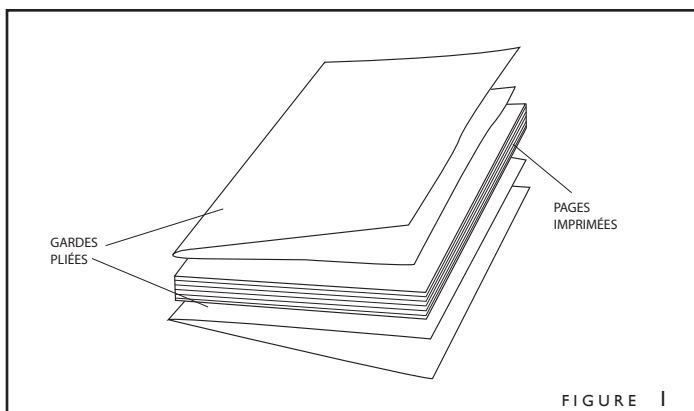


FIGURE 1

Les reliures Fastback Hardcover sont actuellement offertes en de nombreuses dimensions populaires, de la taille d'un CD à 22 cm sur 28 cm. Vous pouvez choisir entre des matériaux de composition en suédine et de qualité supérieure, ainsi qu'entre des toiles de reliure et des toiles artistiques, avec un grand choix de couleurs et de matériaux. Votre distributeur tient toute cette information à votre disposition.

Avant de relier vos pages, placez les feuilles de garde pliées Fastback à l'avant et à l'arrière de vos pages imprimées (Figure 1). Les plis doivent se trouver sur le côté dos de reliure de vos pages.

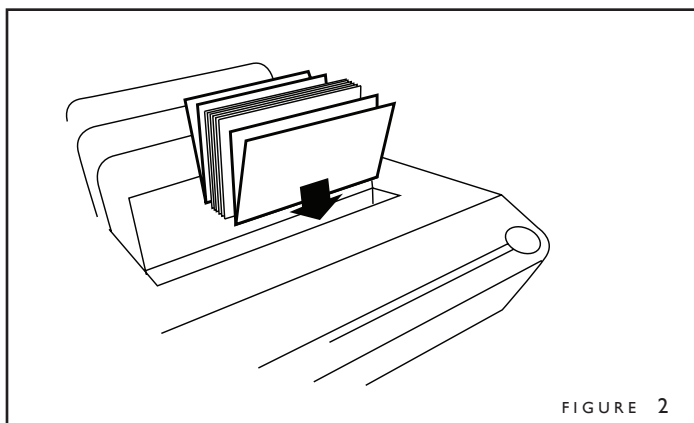


FIGURE 2

Introduisez le corps d'ouvrage (les feuilles de garde étant pliées avec l'extrémité vers le bas) dans la cavité de reliure de l'appareil Fastback (Figure 2). Serrez le corps d'ouvrage à l'aide d'une bande en tissu Hardcover. Cette bande a été spécialement étudiée pour la reliure des ouvrages à reliure rigide. Elle est plus flexible que les autres bandes, ce qui résulte en moins de rigidité lorsque les pages sont tournées ; elle donne aussi un aspect plus agréable à votre ouvrage.

*Une dernière touche consiste traditionnellement à ajouter une tranchefile aux parties supérieure et inférieure du dos de la reliure. Voir la page 35.*

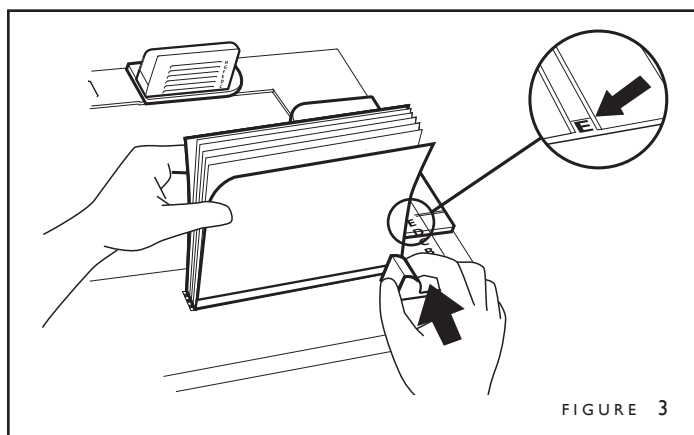


FIGURE 3

La largeur correcte du dos de la reliure est déterminée par l'épaisseur de l'ouvrage relié. Lorsque le corps d'ouvrage a refroidi, placez-le entre la butée de plat mauve de droite et la poignée de la glissière dans l'angle de droite avant du guide. Faites glisser la poignée contre le corps d'ouvrage (Figure 3). La ligne horizontale pointe vers la dimension de la lettre correspondant à la largeur de plat à utiliser. Les plats sont offerts en six dimensions, de A à F.

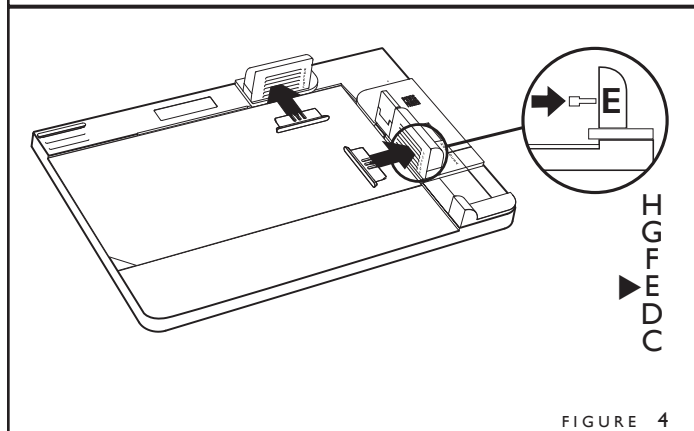
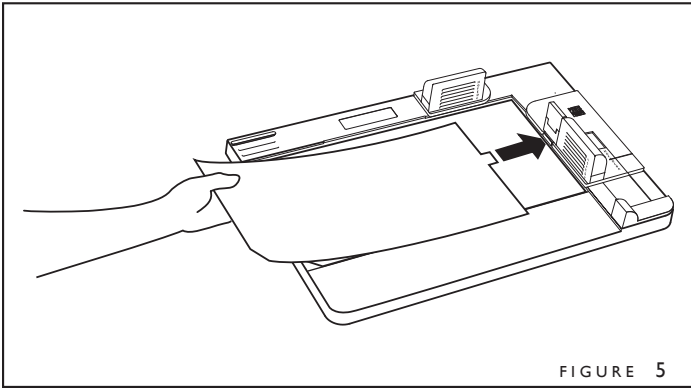


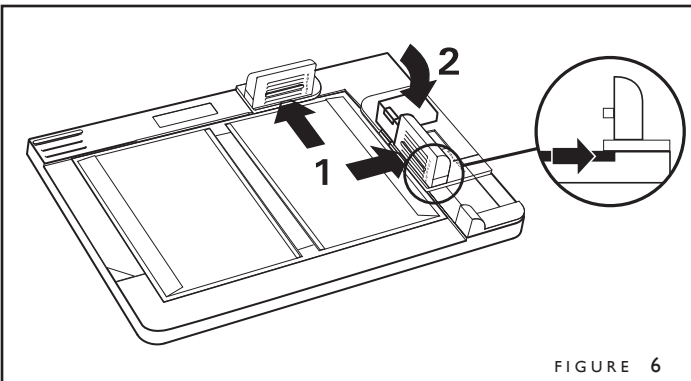
FIGURE 4

Pour de plus larges couvertures (tailles C à F), il faut utiliser des pièces d'écartement en plastique qui sont fournies avec le guide. Sans ces pièces d'écartement, le corps d'ouvrage risque de se déplacer et de produire une reliure imparfaite. Les pièces d'écartement sont situées dans des fentes dans l'angle gauche arrière du guide. Nous fournissons trois pièces d'écartement, mais vous n'en utiliserez que deux à la fois. La troisième est une pièce de rechange. Pour utiliser les pièces d'écartement, poussez-les dans les fentes portant une lettre sur les butées de plats, en les faisant correspondre avec la largeur correcte (Figure 4). Par exemple, pour un ouvrage de largeur E, les pièces d'écartement doivent être introduites dans les fentes « E ».

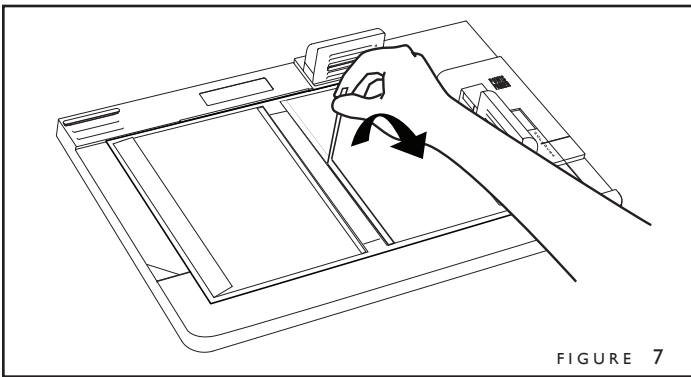
## RÉALISATION D'UN OUVRAGE À RELIURE RIGIDE (suite)



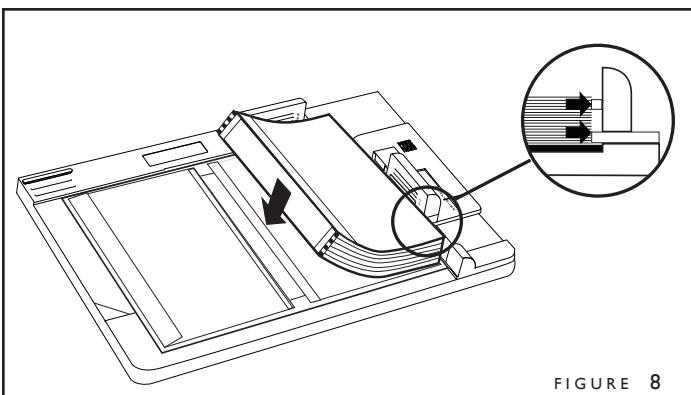
Faites glisser la carte d'instructions dans l'angle supérieur de droite de la base (Figure 5). L'onglet blanc s'emboîte sous l'agrafe et l'angle avant gauche s'emboîte derrière l'encoche de la base. **Pour les couvertures plus épaisses, enlevez cette carte.**



Placez votre Fastback Hardcover™ sur le guide Fastback Hardcover, le papier anti-adhésif vers le haut (la couverture verso de l'ouvrage doit être à droite). Glissez le plat dans l'angle arrière de droite de la base (Figure 6 – Étape 1). Les bords supérieur et de droite du plat doivent toucher les niveaux arrière de droite de la base, le plat se trouvant sous les butées du papier (flèches indiquant l'étape 1). Basculez le levier à droite pour maintenir le Hardcover en place (flèches indiquant l'étape 2).



Enlevez l'étroite bande de papier anti-adhésif située sur la partie droite du dos de la reliure (Figure 7).



La partie recto de votre corps d'ouvrage vous faisant face, poussez les bords des pages contre les butées de papier vertes du haut et des côtés (et des pièces d'écartement, le cas échéant – voir la page 31, Figure 4). Les bords des pages étant maintenus contre les bords des butées de papier et les pièces d'écartement, poussez le bord du dos de reliure du corps d'ouvrage fermement vers le bas sur l'étroite bande anti-adhésive exposée (Figure 8).

## RÉALISATION D'UN OUVRAGE À RELIURE RIGIDE (suite)

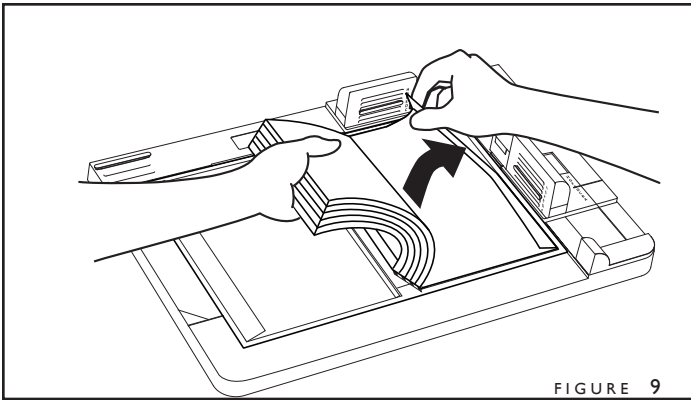


FIGURE 9

Le bord du dos de la reliure étant attaché, tournez avec précaution l'ouvrage vers la gauche. Enlevez le large papier anti-adhésif qui se trouve sur le côté droit (Figure 9). Roulez l'ouvrage à nouveau sur la droite pour qu'il se trouve sur la bande adhésive exposée, ce qui fixe la feuille de garde verso.

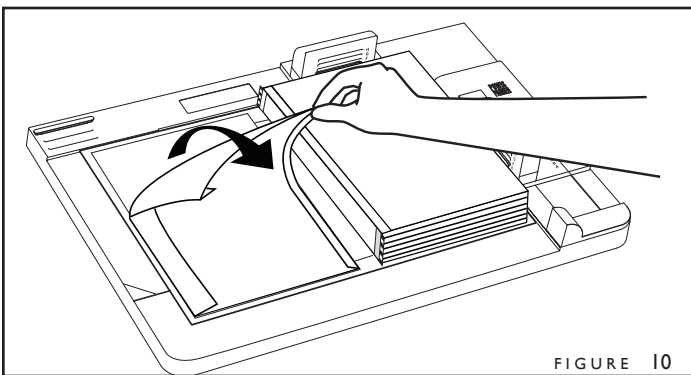


FIGURE 10

Enlevez l'étroite bande anti-adhésive et la large feuille anti-adhésive qui se trouvent sur le côté gauche du plat (Figure 10).

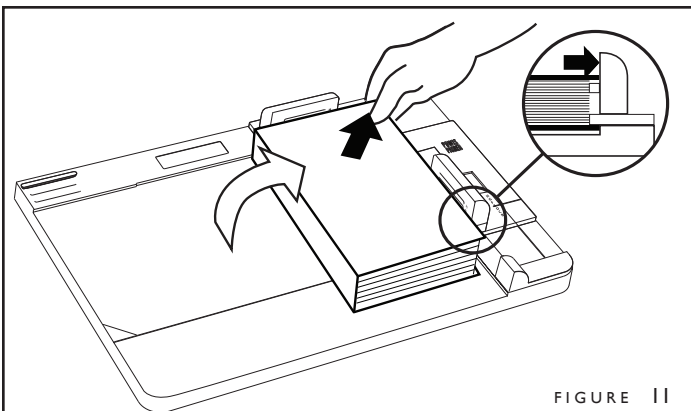


FIGURE 11

Soulevez le plat recto au-dessus du corps d'ouvrage (Figure 11). Les bords du plat doivent toucher les butées de plat mauves situées à l'arrière et sur le côté (Figure 11 – flèche indiquant le détail). Appuyez ensuite sur le plat du corps d'ouvrage.

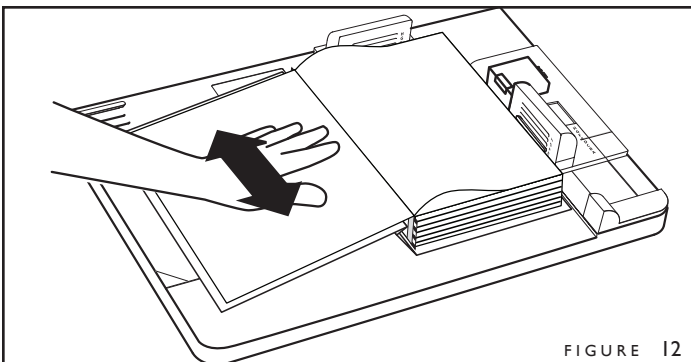


FIGURE 12

Basculez le levier pour relâcher l'ouvrage. Ouvrez chaque plat pour lisser les feuilles de garde (Figure 12).

Votre ouvrage Fastback® Hardcover™ est terminé !



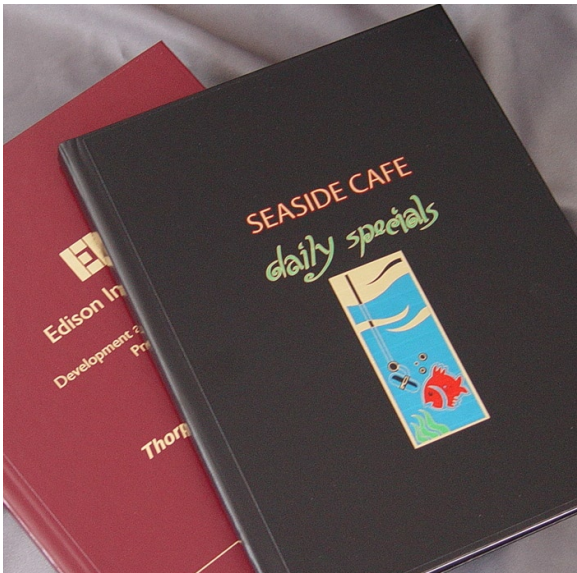
Tranchefiles

FIGURE 13

Si vous voulez obtenir les meilleurs résultats possibles, profitez des options de personnalisation qui vous sont offertes par la gamme des produits Fastback® Hardcover™ .

### Tranchefiles

Les tranchefiles sont d'étroites bandes de tissu fixées entre le corps d'ouvrage et le dos de la reliure, aux parties supérieure et inférieure de l'ouvrage. Bien que, dans le passé, elles aient formé une partie intégrante du processus de reliure, aujourd'hui, la plupart des tranchefiles constituent des éléments décoratifs. Les tranchefiles Fastback sont offertes en un nombre varié de combinaisons de couleurs unies et à motifs (Figure 13).

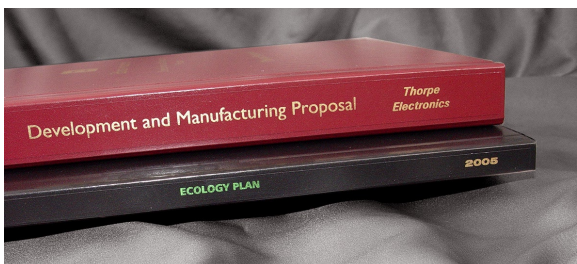


Feuilles de titre et titrage du dos de reliure Foilfast®

FIGURE 14

### Feuilles de titre et titrage du dos de reliure Foilfast®

L'imprimante Foilfast® de Powis Parker vous permet de titrer et de décorer vos couvertures avec sept couleurs de feuilles métalliques (Figure 14). Les feuilles de titre Foilfast sont du même matériau que celui des reliures Fastback Hardcovers, ce qui vous assure une correspondance parfaite. Ces feuilles peuvent aussi être utilisées pour réaliser les titres de dos de reliure de vos ouvrages (Figure 15).

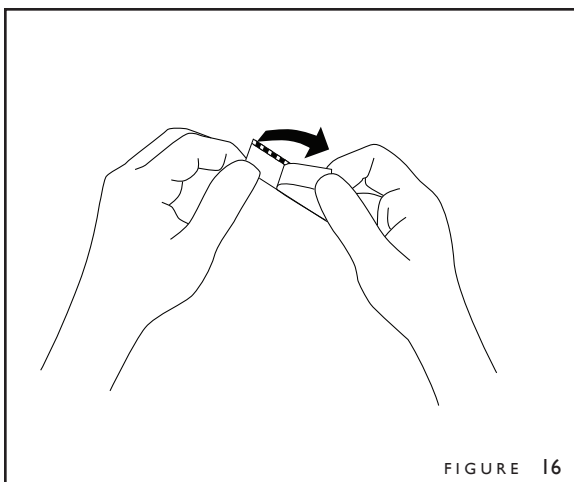


Titrage du dos de la reliure

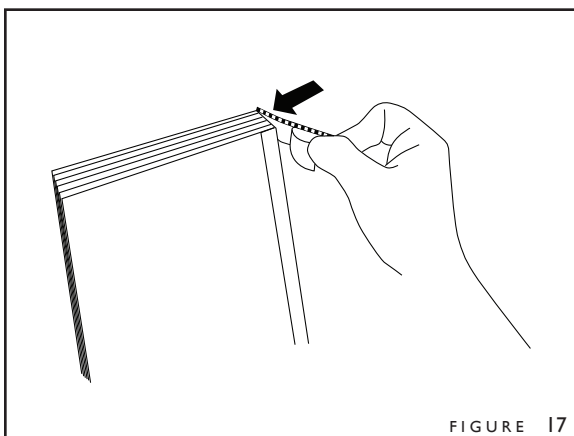
FIGURE 15

### Méthodes traditionnelles

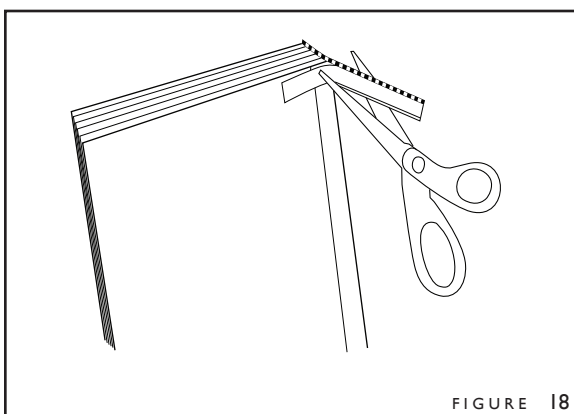
Les reliures Fastback Hardcovers constituent des reliures solides. On peut y appliquer le gaufrage sur feuille métallique ou le gaufrage en relief, comme sur une couverture traditionnelle.



Pelez le papier anti-adhésif pour exposer le renforcement adhésif (Figure 16).



Alignez le bord de la tranche-file sur celui du dos de la reliure du corps d'ouvrage (Figure 17).



Coupez la tranche-file à la même largeur que celle du corps d'ouvrage (Figure 18).



## APPLICATION DE LA FEUILLE DE TITRE FOILFAST®

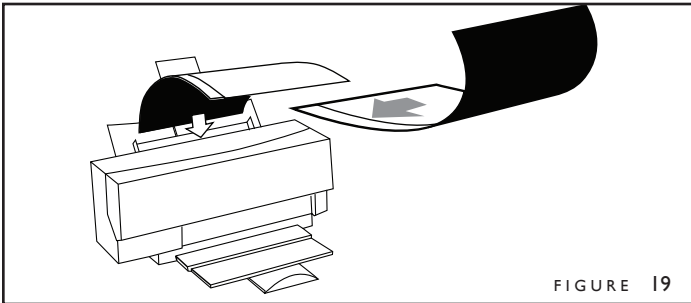


FIGURE 19

Les feuilles de titre Foilfast® (FTS) sont des feuilles adhésives qui s'accordent aux couvertures en suédine et de composition. Elles sont conçues pour être utilisées avec l'imprimante Foilfast® qui vous permet d'ajouter un texte imprimé à vos couvertures en sept couleurs de feuilles métalliques.

Insérez la feuille de titre Foilfast® (FTS) dans l'imprimante de façon à ce que l'étroite bande anti-adhésive soit sur le côté gauche et en direction opposée à la vôtre (Figure 19).

**ATTENTION :** l'introduction de la feuille de façon différente de celle indiquée peut causer des problèmes d'impression ou endommager la machine.

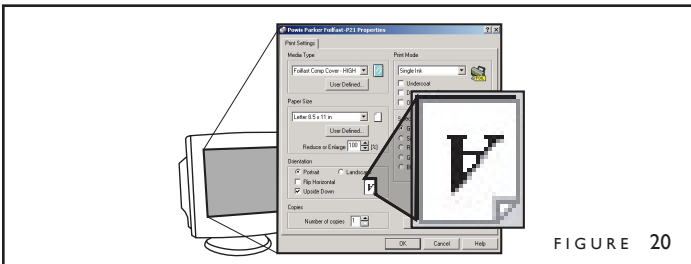


FIGURE 20

Composez votre impression à l'aide d'un logiciel quelconque. Lorsque vous avez terminé, cliquez sur File (Fichier) puis sur Print (Imprimer).

Cliquez sur la touche « Propriétés » (Propriétés) de la fenêtre Imprimer pour ouvrir la boîte de dialogue Propriétés. Sélectionnez l'option « Upside Down » (Tête à queue) (Figure 20).

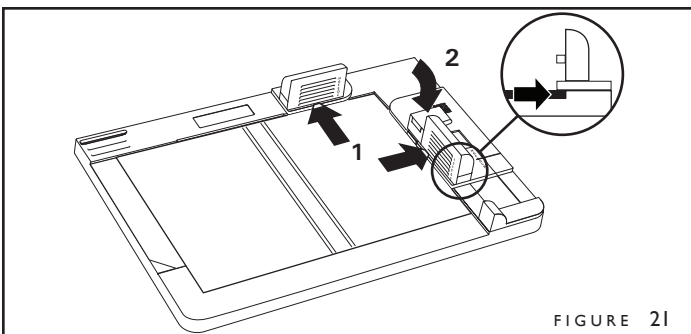


FIGURE 21

Placez votre plat dans le guide Fastback Hardcover, la partie extérieure du plat étant vers le haut. Vérifiez que le plat recto est bien poussé dans les angles du logement du guide, sous les butées vertes (Figure 21 – flèches indiquant l'étape 1).

Bloquez le plat en place en basculant le levier vers la droite (Figure 21 – flèche indiquant l'étape 2).

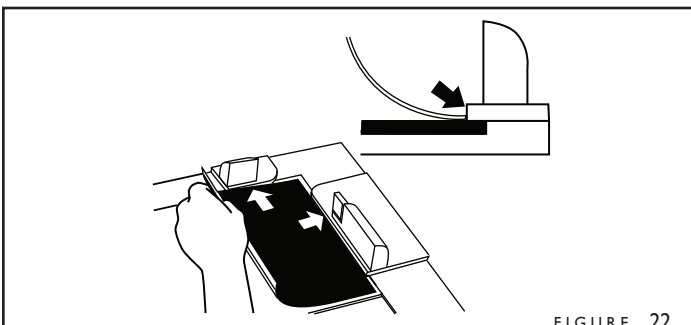


FIGURE 22

Enlevez l'étroite bande de papier anti-adhésif de la FTS. Alignez les côtés supérieur et de droite de la FTS contre le bord des butées de papier vertes (Figure 22 – détail). Appuyez ensuite la partie adhésive exposée sur le plat.

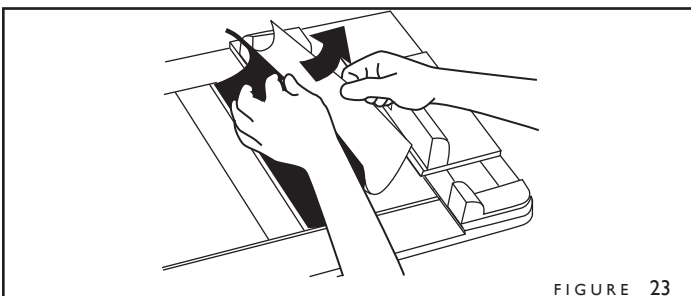


FIGURE 23

Soulevez doucement l'extrémité droite de la FTS et enlevez la large feuille anti-adhésive (Figure 23). Placez la FTS sur le plat. Lissez la FTS pour terminer la couverture à impression personnelle.

### Considérations sur la conception

Les feuilles de titre Foilfast® sont de dimensions légèrement inférieures à celles de leurs couvertures correspondantes. Par exemple, la FTS correspondant au Fastback® Hardcover™ format commercial a une largeur approximative de 21 cm au lieu de 22 cm. L'illustration que vous désirez centrer sur les couvertures doit avoir son centre à 10 cm du bord gauche de la feuille.

### Considérations sur la qualité de l'impression

De meilleurs résultats sont parfois obtenus en utilisant le réglage encre en couleurs multiples qui apparaît en une seule couleur. Avec certaines illustrations, on obtient également des résultats plus nets avec le réglage Clear Cover (Transparent).

Certaines couleurs, le blanc en particulier, ne s'impriment pas sur un matériau en suédine, à moins d'employer une base de prise pour feuille métallique.

Le réglage Clear Cover produit un effet attrayant et unique avec l'utilisation de feuille métallique dorée sur un matériau en suédine.

Les fichiers d'images qui s'impriment correctement en un format peuvent apparaître sous forme de table de bits lorsqu'ils sont imprimés dans un format différent, même si le format de fichier est le seul élément changé. Ceci s'applique également à certains programmes. Un fichier PDF qui s'imprime correctement en Adobe Illustrator par exemple peut s'imprimer sous forme de table de bits s'il est imprimé avec Adobe Acrobat.



Le titrage du dos de la reliure est une addition désirable à tout document relié – les titres ont un aspect professionnel et facilitent l'identification des documents lorsqu'ils sont disposés sur une étagère.

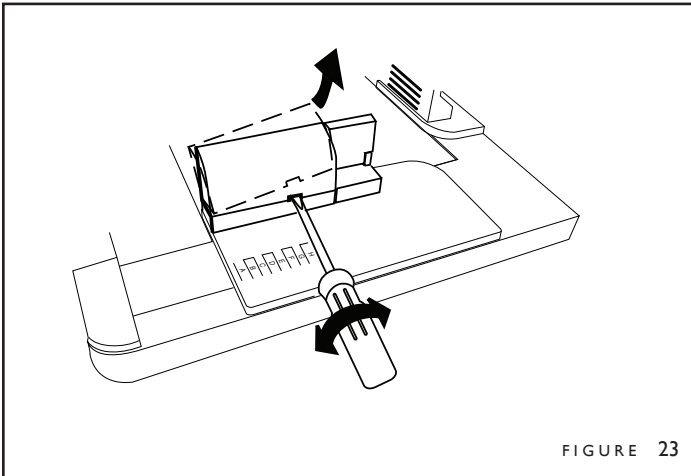
Le processus de réalisation des titres pour dos de reliures est facile. Nous avons créé des grilles de visualisation en Microsoft Word pour les largeurs de corps d'ouvrages A à F. Vous pouvez télécharger les grilles de notre site web : [www.powis.com/dlrpowis/frontpages/frontpage\\_nov2103/dlrtopnews2.asp](http://www.powis.com/dlrpowis/frontpages/frontpage_nov2103/dlrtopnews2.asp). Des petits points placés aux endroits à enlever des dos de reliure facilitent la coupure du dos de reliure pour correspondre à la feuille.

Créez vos dos de reliure personnels à l'aide des repères suivants :

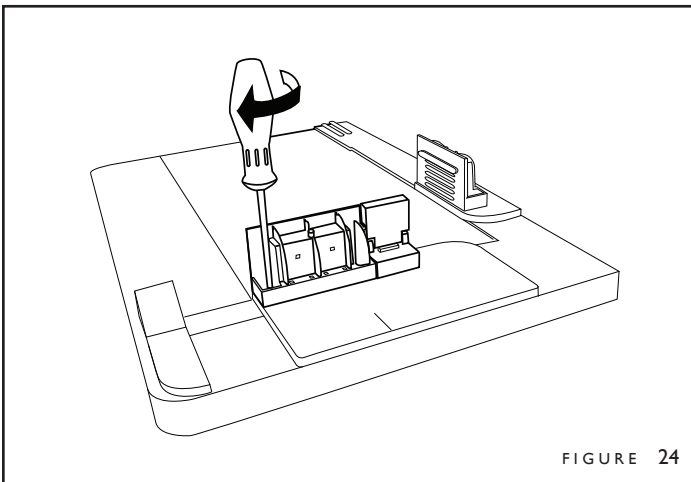
<b>Dimension de l'ouvrage</b>	<b>Largeur du dos de la reliure</b>
A	0,95 cm
B	1,27 cm
C	1,90 cm
D	2,54 cm
E	3,17 cm
F	3,81 cm

### Resserrage de l'assemblage de blocage

Si les butées de plat mauves se desserrent, il est facile de les resserrer de la façon suivante.



Introduisez un tournevis ordinaire dans la petite fente située sous le couvercle de la butée de plat ; tournez doucement le tournevis sur les côtés. Le couvercle se soulève automatiquement (Figure 23).

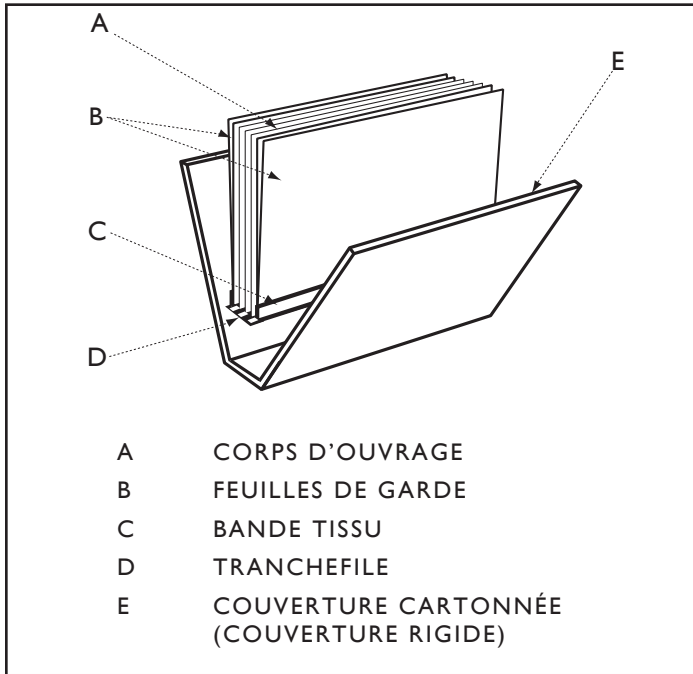


À l'intérieur de la butée de plat, il y a deux vis. Serrez doucement ces vis à l'aide d'un tournevis cruciforme (Figure 24).

**ATTENTION :** le serrage excessif des vis risque d'endommager le guide. Ne pas appliquer plus de tension que nécessaire.

## GLOSSAIRE

Comme c'est le cas pour la plupart des professions, la reliure rigide (reliure cartonnée) possède sa terminologie propre. Voici un glossaire des termes employés.



### Bande de tissu

Il s'agit du dernier modèle de bande d'assemblage Fastback. C'est une bande en tissu étudiée spécialement pour être employée avec le système de reliure Fastback Hardcover. La bande est très solide et particulièrement souple, et convient spécialement à la reliure cartonnée.

### Corps d'ouvrage

Ce terme désigne la partie intérieure de l'ouvrage, c'est-à-dire les pages imprimées du livre et les gardes. Il est important de noter que les dimensions d'un Hardcover sont basées sur celles du corps d'ouvrage. Un Hardcover de 15 cm x 23 cm par exemple indique que ces dimensions sont celles du corps d'ouvrage, non celles de la couverture.

### Couverture cartonnée

Terme utilisé dans l'industrie de la reliure pour indiquer une couverture rigide.

### Feuilles de Garde

Feuille de papier épaisse pliée en deux et utilisée pour fixer le corps d'ouvrage à la couverture. Deux feuilles de garde sont utilisées pour chaque corps d'ouvrage.

### Reliure cartonnée

Façon traditionnelle de réaliser un ouvrage à couverture rigide.

### **Toile à reliure**

Tissu à traitement particulier utilisé pour la reliure des livres. C'est une toile très solide et durable. Les reliures Fastback Hardcovers sont offertes en deux styles de toile à reliure : les plats Library Cloth Covers, étudiés pour une longue vie utile en environnements de grand usage, et les plats Art Cloth Covers, étudiés pour les ouvrages artistiques et de photographies. Les Library Cloth Covers ont des couleurs moins vives que celles des Art Cloth Covers.

### **Tranchefile**

Bande de tissu étroite située à l'endroit où le corps d'ouvrage rencontre le dos de la reliure aux parties supérieure et inférieure de l'ouvrage. Bien que dans le passé, les tranchefiles aient constitué une partie intégrante du processus de reliure, aujourd'hui la plupart sont purement décoratives. Les tranchefiles sont généralement en couleurs pleines ou à carreaux.

## **INFORMATION CONCERNANT LES DROITS D'AUTEUR**

Ce document contient des informations exclusives et de caractère confidentiel qui sont la propriété de Powis Parker Incorporated (PPI).

Il est interdit de photocopier, reproduire sous quelque forme que ce soit, ou traduire en une autre langue une partie quelconque de ce document sans obtenir l'autorisation préalable de PPI, exception faite des autorisations prévues par les lois sur les droits d'auteur (copyright).

Copyright© Powis Parker Incorporated 2004

Tous droits réservés.

## **GARANTIE**

Les informations contenues dans ce document sont sujettes à modifications sans préavis.

PPI n'offre aucune garantie concernant ces informations. PPI dénie particulièrement la garantie implicite de qualité marchande ou d'adaptation à un but particulier.

PPI n'assume aucune responsabilité pour tout dommage direct, indirect ou accessoire ou consécutif ou pour tout autre dommage résultant de la fourniture ou de l'utilisation de ces informations.

## **AVIS**

Des modifications sont périodiquement apportées à ce document. Les révisions, changements, inexactitudes techniques et erreurs typographiques seront corrigés dans les éditions ultérieures.