



## SERVICE MANUAL Gfp 800 Series



January 2015

# Table of Contents

	Page
1. Parts list .....	3-8
2. Exploded Drawings	
View 1 - Frame and Stand.....	9
View 2 - Structure and Rollers.....	10
View 3 - Left side frame.....	11
View 4 - Right side frame.....	12
View 5 - Feed tray and shield.....	13
View 6 - Upper supply mandrel assembly.....	14
View 7 - Exit table.....	15
View 8 - Lower supply mandrel assembly.....	16
View 9 - Rewind tube assembly.....	17
View 10 - Stand Assembly.....	18
View 11- Front feed unwind assembly.....	19
View 12 - Rewind motor assembly.....	20
3. Wiring Diagram.....	21

Drawing Number	PART PREFIX	PART NUMBER	DESCRIPTION	VIEW NUMBER	STOCK ITEM
1	DH-	1	Left side cover	1	Yes
2	DH-	2	Left side cabinet	1	
3	DH-	3	Allen wrench bracket	1	
4	DH-	4	Upper cover of swing out shaft	1	Yes
5	DH-	5	Upper supply mandrel bracket	1	Yes
6	DH-	6	Right cabinet	1	
7	DH-	7	Right side cover	1	Yes
8	TH-	81	Hand wheel	1	Yes
9	TH-	150	Leveling feet	1	Yes
10	563-	165	Alignment bracket	1-10	Yes
11	563-	164	Locating screw (8mm)	1-10	Yes
12	TH-	47	Stand locking screw	1	Yes
13	TH-	31	Brake pad	1-6-8-11	Yes
14	TH-	3	Film core adaptor/brake	1-6-8-11	Yes
15	<b>847-</b>	<b>15</b>	Front unwind shaft	1-11	
15	<b>865-</b>	<b>15</b>	Front unwind shaft	1-11	
16	DH-	16	Front unwind bracket	1-11	
17	563-	167	Lower cover of swing out shaft	1	Yes
18	<b>847-</b>	<b>18</b>	Left supporting plate	2	
18	<b>865-</b>	<b>18</b>	Left supporting plate	2	
19	<b>847-</b>	<b>19</b>	Pressure regulating linkage shaft	2	
19	<b>865-</b>	<b>19</b>	Pressure regulating linkage shaft	2	
20	DH-	20	Drive motor	2	Yes
21	<b>847-</b>	<b>21</b>	Support beam	2	
21	<b>865-</b>	<b>21</b>	Support beam	2	
22	TH-	18	Bearing sleeve	2	Yes
23	<b>847-</b>	<b>23</b>	Idler bar	2	Yes
23	<b>865-</b>	<b>23</b>	Idler bar	2	Yes
24	<b>847-</b>	<b>24</b>	Lower heating tube - Packaged	2	Yes
24	<b>865-</b>	<b>24</b>	Lower heating tube - Packaged	2	Yes

Drawing Number	PART PREFIX	PART NUMBER	DESCRIPTION	VIEW NUMBER	STOCK ITEM
25	<b>847-</b>	<b>25</b>	Front lower roller	2-3	Yes
25	<b>865-</b>	<b>25</b>	Front lower roller	2-3	Yes
26	<b>847-</b>	<b>26</b>	Center plate	2	
26	<b>865-</b>	<b>26</b>	Center plate	2	
27	DH-	27	Center plate support	2	
28	<b>847-</b>	<b>28</b>	Rear lower roller	2	Yes
28	<b>865-</b>	<b>28</b>	Rear lower roller	2	Yes
29	DH-	29	Drive sleeve of rewind tube	2	
30	<b>847-</b>	<b>30</b>	Rewind tube	2-9	
30	<b>865-</b>	<b>30</b>	Rewind tube	2-9	
31	TH-	125	Rewind tube friction pads (2)	2	Yes
32	<b>847-</b>	<b>32</b>	Support beam	2	
32	<b>865-</b>	<b>32</b>	Support beam	2	
33	<b>847-</b>	<b>33</b>	Rear upper roller	2	Yes
33	<b>865-</b>	<b>33</b>	Rear upper roller	2	Yes
34	<b>847-</b>	<b>34</b>	Front upper roller	2	Yes
34	<b>865-</b>	<b>34</b>	Front upper roller	2	Yes
35	<b>847-</b>	<b>35</b>	Upper heat tube - Packaged	2	Yes
35	<b>865-</b>	<b>35</b>	Upper heat tube -Packaged	2	Yes
36	TH-	56	Heat sensor	2	Yes
37	<b>847-</b>	<b>37</b>	Sensor support beam	2	
37	<b>865-</b>	<b>37</b>	Sensor support beam	2	
38	DH-	38	Sensor bracket	2	
39	<b>847-</b>	<b>39</b>	Lower pressure regulating linkage shaft	2	
39	<b>865-</b>	<b>39</b>	Lower pressure regulating linkage shaft	2	
40	<b>847-</b>	<b>40</b>	Right support plate	2	
40	<b>865-</b>	<b>40</b>	Right support plate	2	
41	TH-	42	Cushion of quartz tube	3	Yes
42	TH-	46	Heat roller cover plate	3	
43	DH-	43	Support plate connection board	3	

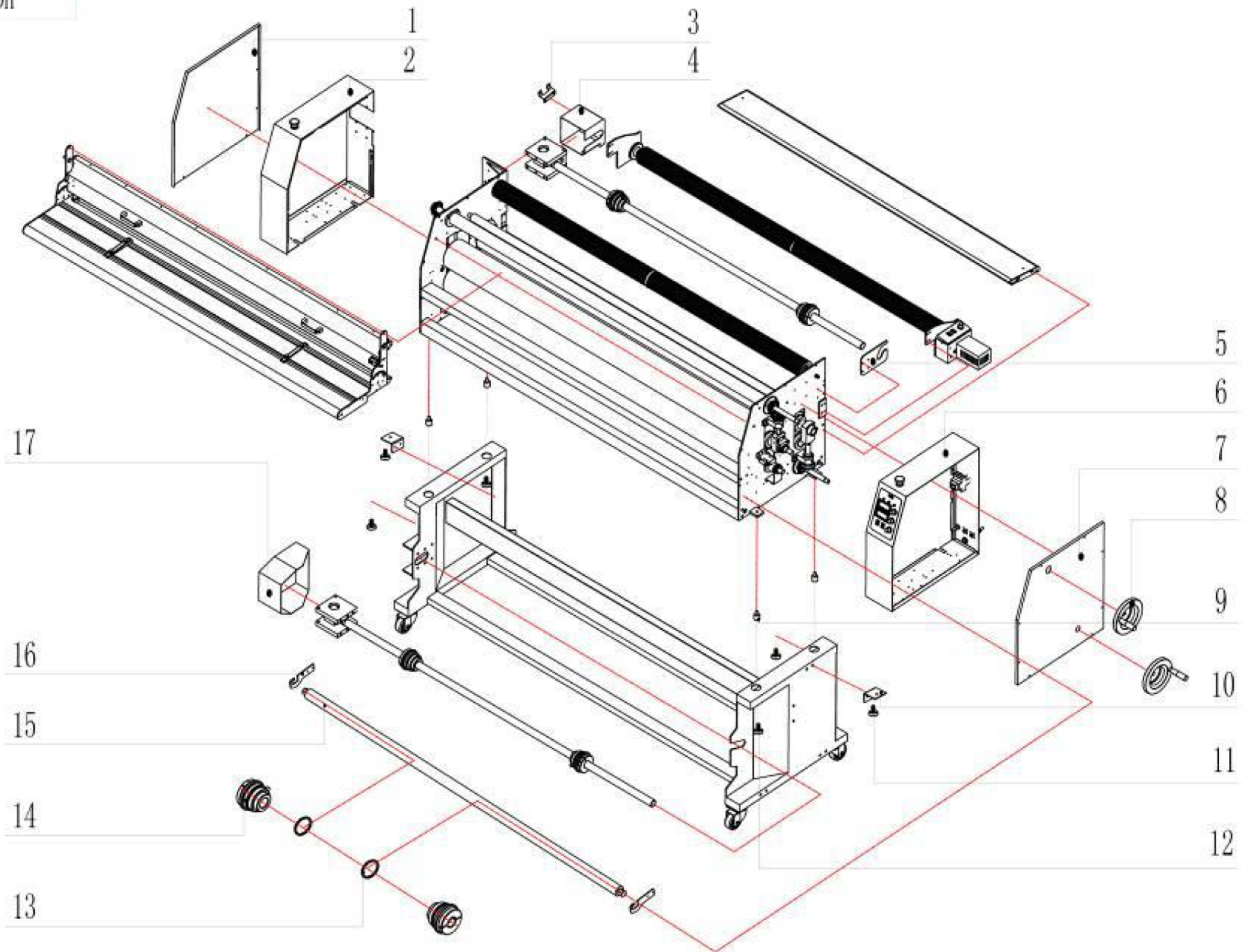
Drawing Number	PART PREFIX	PART NUMBER	DESCRIPTION	VIEW NUMBER	STOCK ITEM	
44	DH-	44	Rear left pressure regulating bearing	3	Yes	
45	DH-	45	068 link chain (102 joints)	3	Yes	
46	DH-	46	068 link chain (114 joints)	3	Yes	
47	DH-	47	Rear roller pressure regulating block	3	Yes	
48	DH-	48	Emergency stop assembly	3	Yes	
49	DH-	49	Wiring terminal	3		
50	DH-	50	Protective switching power supply	3	Yes	
51	DH-	51	Switching power supply	3	Yes	
52	DH-	52	Spanner	3	Yes	
53	DH-	53	Rewind tube sprocket	3	Yes	
54	DH-	54	Relay	3	Yes	
55	DH-	55	Pressure regulating bearing	3	Yes	
56	TH-	43	Support of quartz tube	3	Yes	
57	DH-	57	Clutch	3	Yes	
58	DH-	58	Medium wheel	3	Yes	
59	DH-	59	Motor sprocket	3	Yes	
60	<b>847-</b>	<b>60</b>	Front roller sprocket	3	Yes	
60	<b>865-</b>	<b>60</b>	Front roller sprocket	3	Yes	
61	DH-	61	Lower quartz tube support	3		
62	TH-	7	Rewind tube bearing	3	Yes	
63	DH-	63	Cable support	3	Yes	
64	TH-	16	Angle gear	3	Yes	
65	DH-	65	Rear roller pressure regulating position shaft	3	Yes	
66	DH-	66	Solid state relay	4	Yes	
67	TH-	89	Heat sink	4		
68	TH-	116	Control plate of photocell eye	4	Yes	
69	DH-	69	Temperature control board	4	Yes	
70	DH-	70	Photocell eye	4	Yes	
71	TH-	40	Pressure regulating locating shaft	4	Yes	
72	TH-	41	Pressure regulating bearing seat	4	Yes	

Drawing Number	PART PREFIX	PART NUMBER	DESCRIPTION	VIEW NUMBER	STOCK ITEM	
73	TH-	99	Potentiometer (temperature control)	4		
74	DH-	74	Light emitting diodes	4	Yes	
75	TH-	104	LCD temperature display	4	Yes	
76	TH-	106	Control panel switch	4	Yes	
77	TH-	105	Knob	4	Yes	
78	DH-	78	Potentiometer (speed control)	4	Yes	
79	DH-	79	Fuse support	4		
80	TH-	94	Fuse	4	Yes	
81	DH-	81	240v transformer	4	Yes	
82	DH-	82	Speed regulating board	4	Yes	
83	DH-	83	Wiring terminal	4	Yes	
84	DH-	84	Power switch	4	Yes	
85	DH-	85	Filter	4	Yes	
86	TH-	114	Safety foot pedal	4	Yes	
87	DH-	87	Wire grip	4		
88	TH-	113	Rewind motor connector	4	Yes	
89	DH-	89	Power cord	4	Yes	
90	DH-	90	Wire grip	4	Yes	
91	DH-	91	Protective tube	4		
92	DH-	92	Leakage protector	4		
93	DH-	93	Front cover left positioning pin	5	Yes	
94	TH-	63	Left feed table bracket	5	Yes	
95	TH-	70	Side guide screw	5	Yes	
96	TH-	68	Side guide knob	5	Yes	
97	DH-	97	Front cover retaining screw	5	Yes	
98	TH-	69	Side guide	5	Yes	
99	<b>847-</b>	<b>99</b>	Feed tray	5		
99	<b>865-</b>	<b>99</b>	Feed tray	5		
100	<b>847-</b>	<b>100</b>	Print hold down	5	Yes	
100	<b>865-</b>	<b>100</b>	Print hold down	5	Yes	

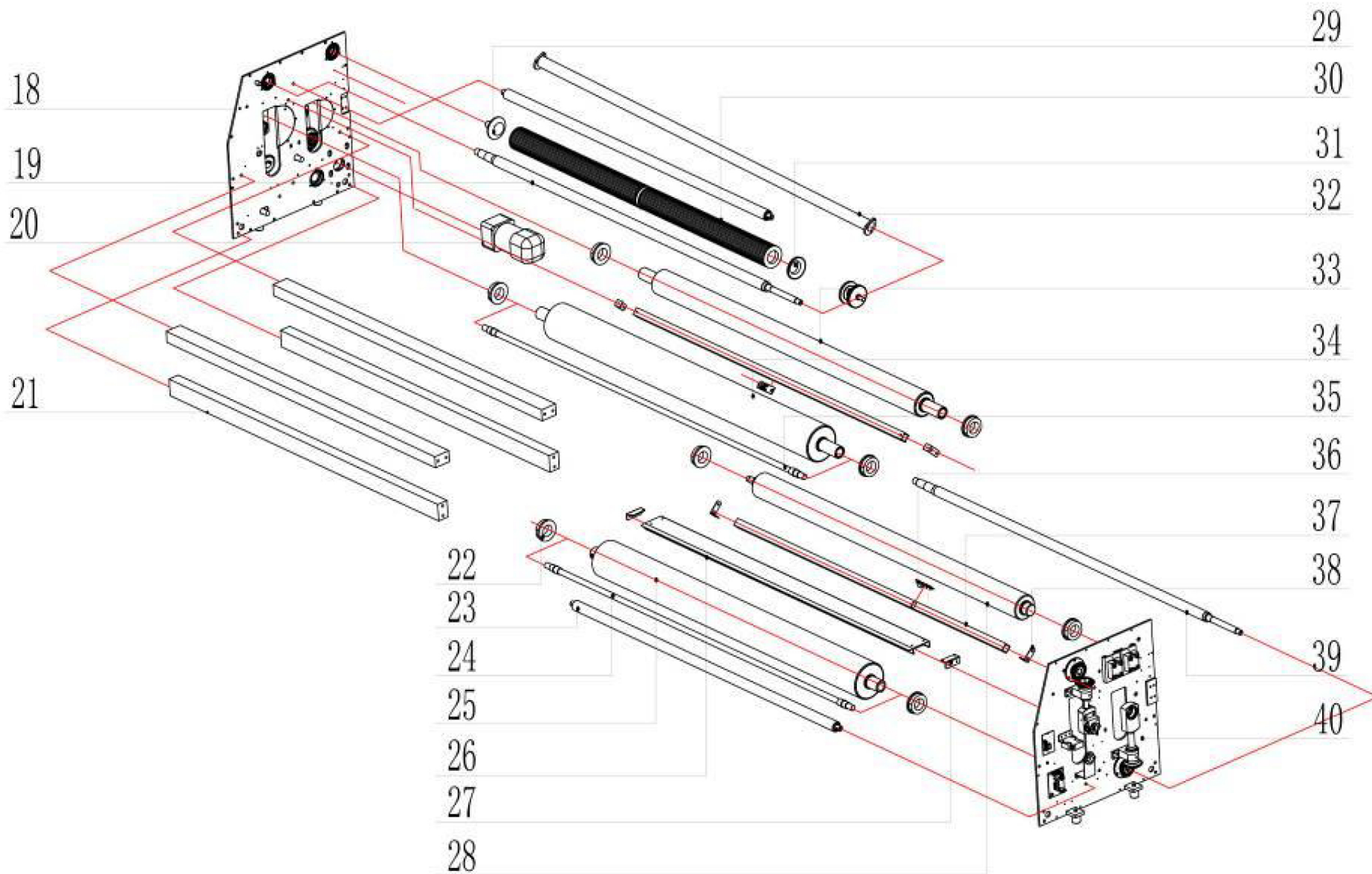
Drawing Number	Part PREFIX	Part NUMBER	DESCRIPTION	View NUMBER	STOCK ITEM	
101	DH-	101	Print hold down bolt	5	Yes	
102	DH-	102	Square handle	5	Yes	
103	<b>847-</b>	<b>103</b>	Safety shield beam	5	Yes	
103	<b>865-</b>	<b>103</b>	Safety shield beam	5	Yes	
104	<b>847-</b>	<b>104</b>	Safety shield	5	Yes	
104	<b>865-</b>	<b>104</b>	Safety shield	5	Yes	
105	DH-	105	Shield right positioning pin	5	Yes	
106	DH-	106	Shield spring	5	Yes	
107	DH-	107	Locking pin	5	Yes	
108	TH-	64	Positioning pin of feed table	5	Yes	
109	TH-	62	Feed table washer	5	Yes	
110	TH-	67	Right feed table bracket	5	Yes	
111	DH-	111	Left stand leg	10		
112	TH-	83	Caster without brake	10	Yes	
113	TH-	82	Caster with brake	10	Yes	
114	<b>847-</b>	<b>114</b>	Middle supporting beam	10		
114	<b>865-</b>	<b>114</b>	Middle supporting beam	10		
115	<b>847-</b>	<b>115</b>	Lower supporting beam	10		
115	<b>865-</b>	<b>115</b>	Lower supporting beam	10		
116	DH-	116	Right stand leg	10		
117	563-	168	Supply shaft locating plate	6-8	Yes	
118	563-	171	Upper swing out assembly	6-8	Yes	
119	<b>847-</b>	<b>119</b>	Upper supply mandrel assembly	6	Yes	
119	<b>865-</b>	<b>119</b>	Upper supply mandrel assembly	8	Yes	
120	<b>847-</b>	<b>121</b>	Rewind tube assembly	9	Yes	
120	<b>865-</b>	<b>121</b>	Rewind tube assembly	9	Yes	
121	<b>847-</b>	<b>122</b>	Stand assembly	10	Yes	
121	<b>865-</b>	<b>122</b>	Stand assembly	10	Yes	
122	TH-	21	Right exit table bracket	7		
123	<b>847-</b>	<b>124</b>	Exit table	7		
123	<b>865-</b>	<b>124</b>	Exit table	7		


Drawing Number	Part PREFIX	Part NUMBER	DESCRIPTION	View NUMBER	STOCK ITEM
124	TH-	23	Left exit table bracket	7	
125	DH-	125	Positioning pin of rear panel	7	
126	<b>847-</b>	<b>127</b>	Front feed unwind assembly	11	
126	<b>865-</b>	<b>127</b>	Front feed unwind assembly	11	
127	<b>847-</b>	<b>128</b>	Lower supply mandrel assembly	8	Yes
127	<b>865-</b>	<b>128</b>	Lower supply mandrel assembly	8	Yes
128	563-	169	Lower swing out assembly	8	Yes
129	TH-	142	Right rewind bracket	12	
130	TH-	136	Drive sleeve of rewind tube	12	
131	TH-	141	Left rewind bracket	12	
132	TH-	139	Rewind bearing	12	
133	TH-	107	Rewind motor switch	12	Yes
134	TH-	149	Potentiometer	12	Yes
135	TH-	135	Upper cover	12	
136	TH-	148	Wind up wiring board	12	
137	TH-	144	Spacer plate	12	
138	TH-	146	Wind up motor capacitor	12	
139	TH-	143	Left supporting case	12	
140	TH-	137	Coupler of wind up motor	12	
141	DH-	220	220v rewind motor assembly	12	Yes
142	TH-	138	Wind up motor cover	12	
143	TH-	148	Wind up motor board	12	
144	TH-	8	Drive sleeve of rewind tube	9	
145	TH-	12	Locating sleeve of rewind tube	9	
146	TH-	13	Rewind tube gasket	9	
147	TH-	14	Rewind tube spring	9	Yes
148	TH-	15	Pressure adjustment nut	9	
149	TH-	11	Locating shaft of rewind tube	9	
150	TH-	10	Core stop clip	9	Yes



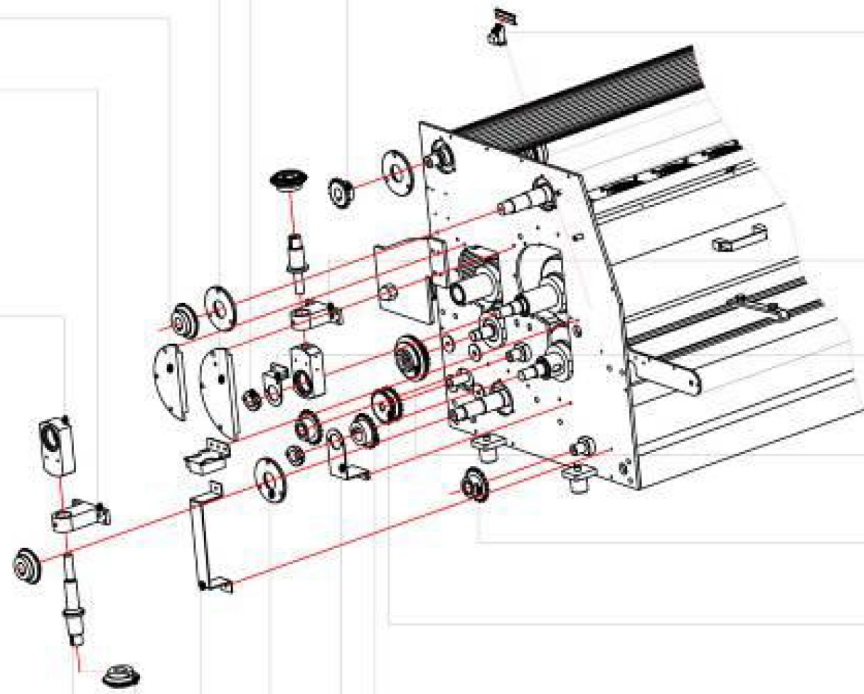
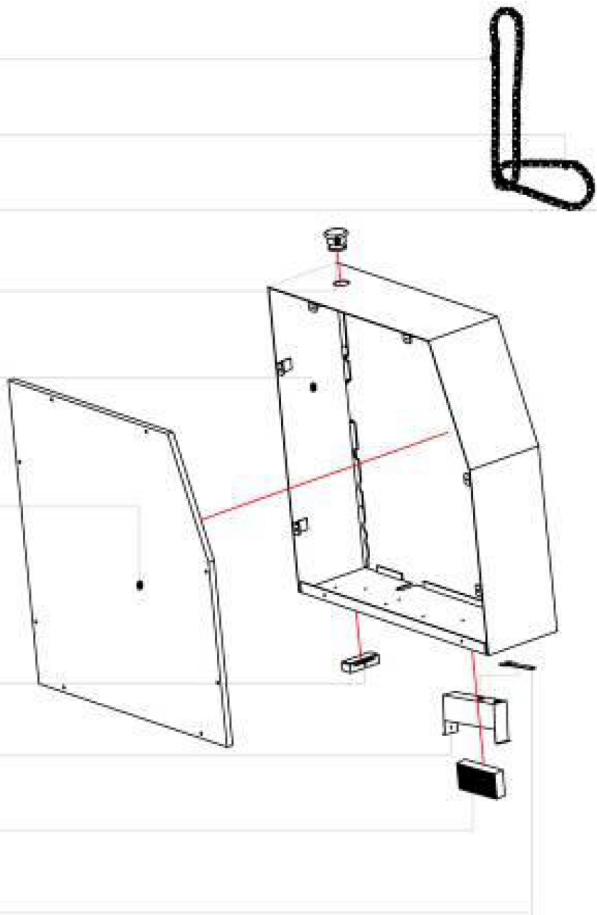


View 1- Frame and Stand




View 2 – Structure and Rollers

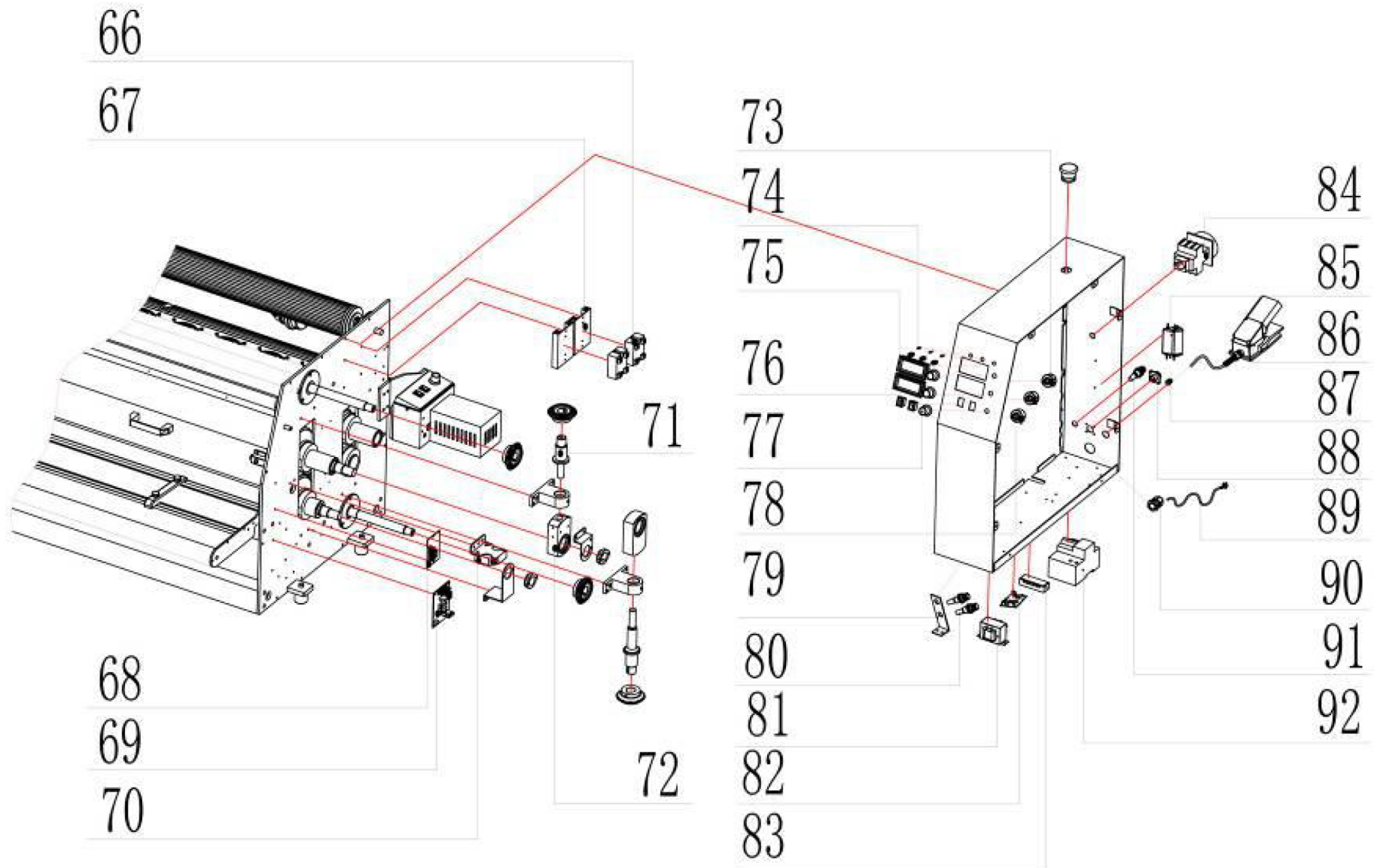
- 41
- 42
- 43
- 44
- 45
- 46
- 47
- 48
- 2
- 1
- 49
- 50
- 51
- 52




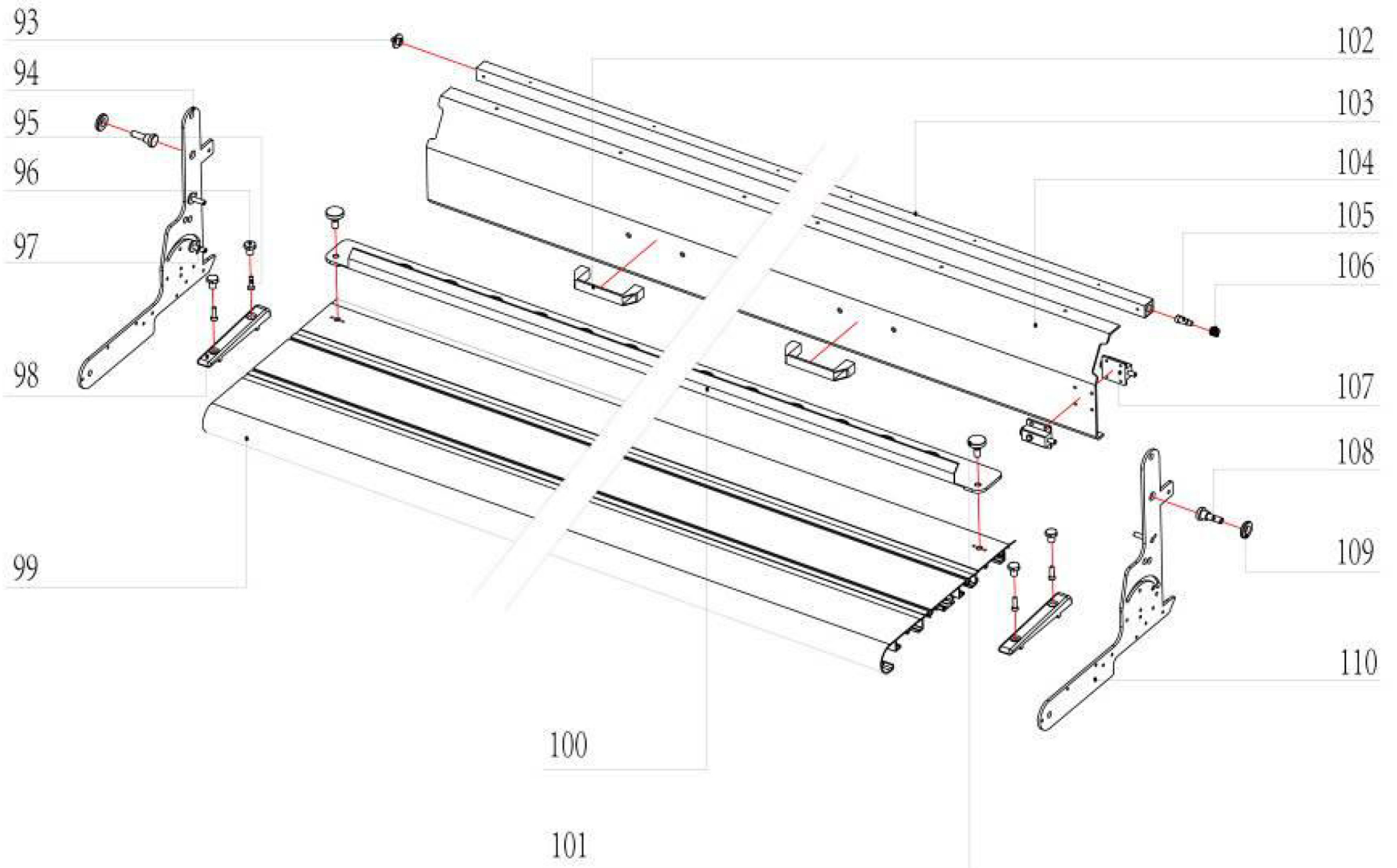
- 53
- 54
- 55
- 56
- 57
- 58
- 59
- 60
- 61
- 62
- 63
- 64
- 65




View 3 – Left side frame

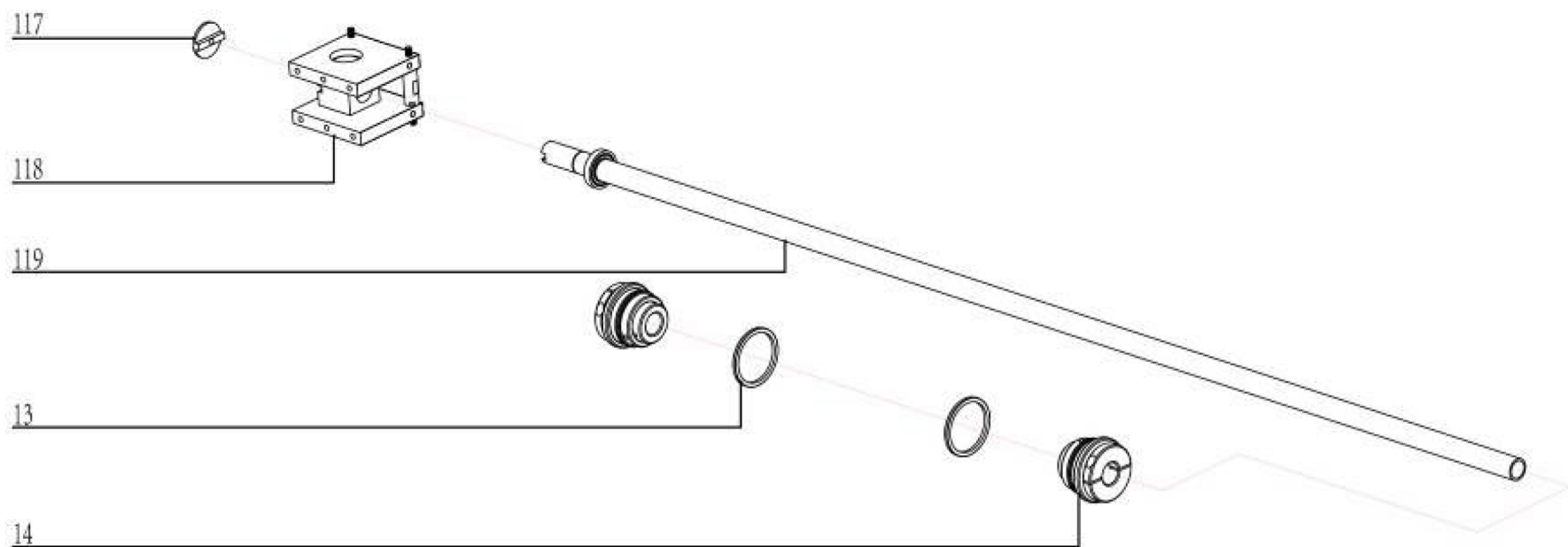


 View 4 – Right side frame

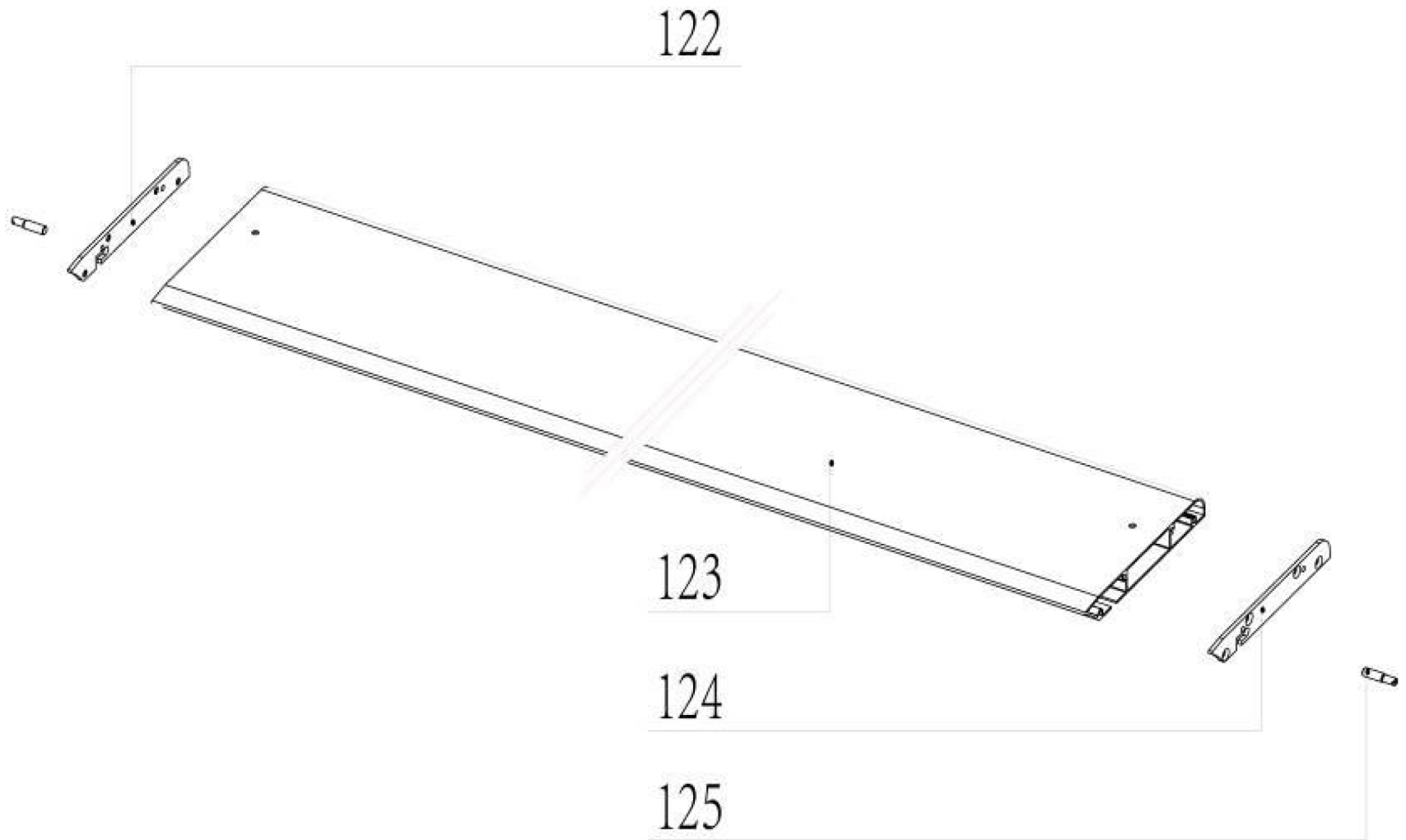



 View 5- Feed tray and shield

847DH

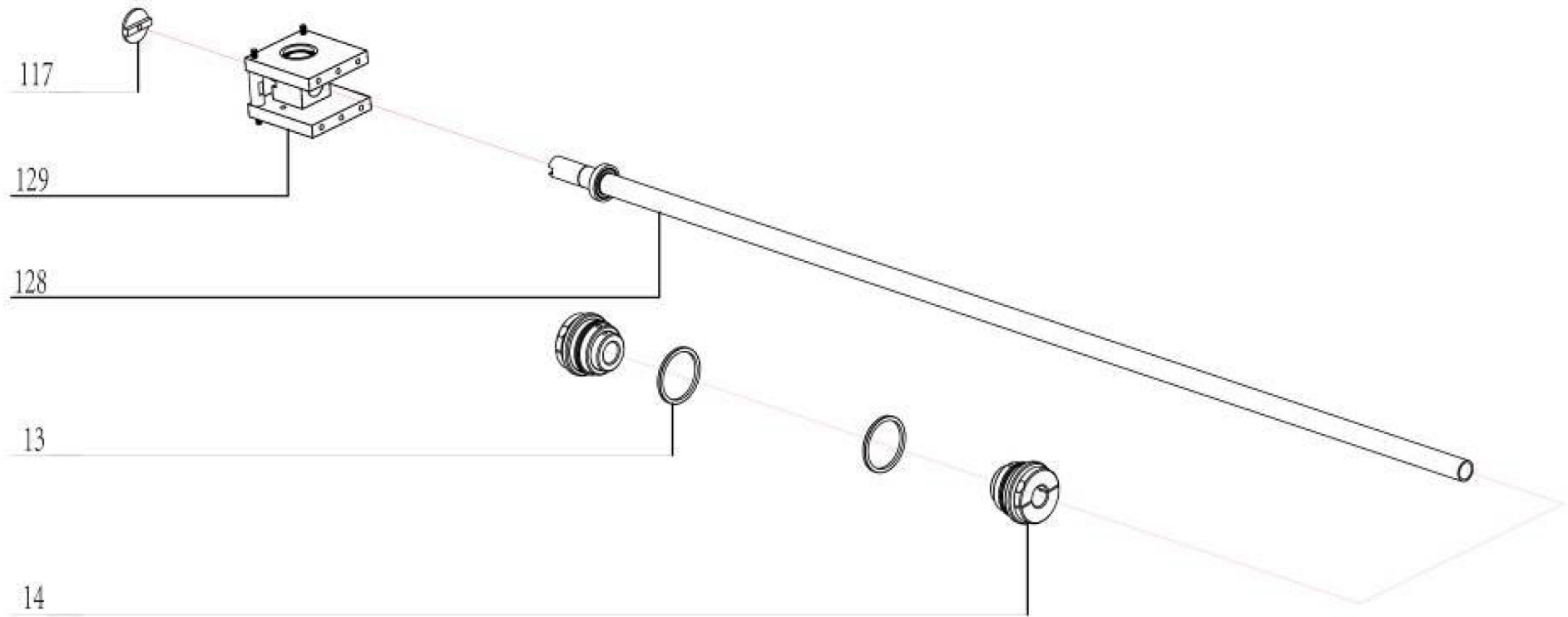


View 6  
119 - Upper supply mandrel assembly



 View 7 – Exit table

847DH



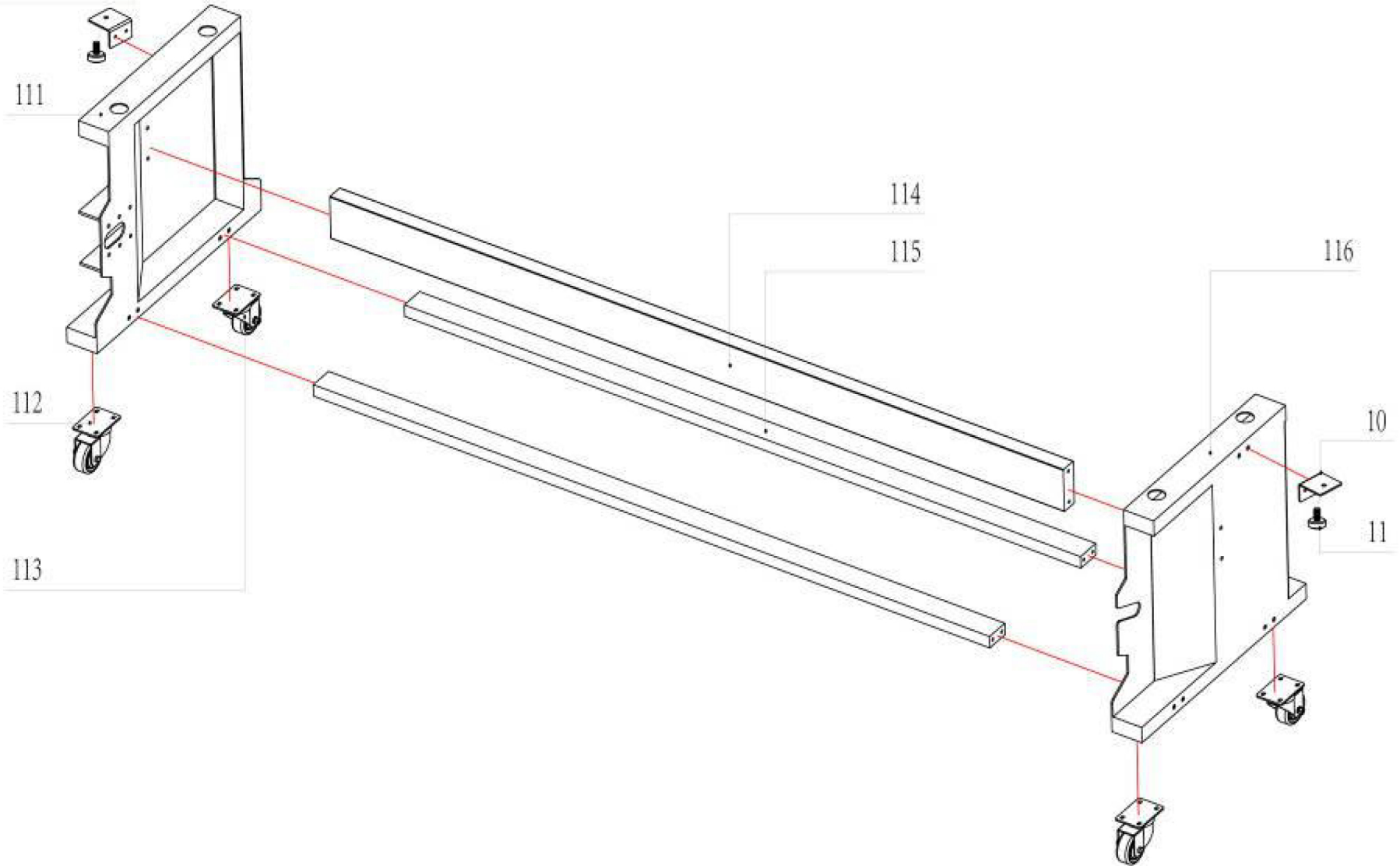
View 8  
128 - Lower supply mandrel assembly





View 9  
121 – Rewind tube assembly

847DH



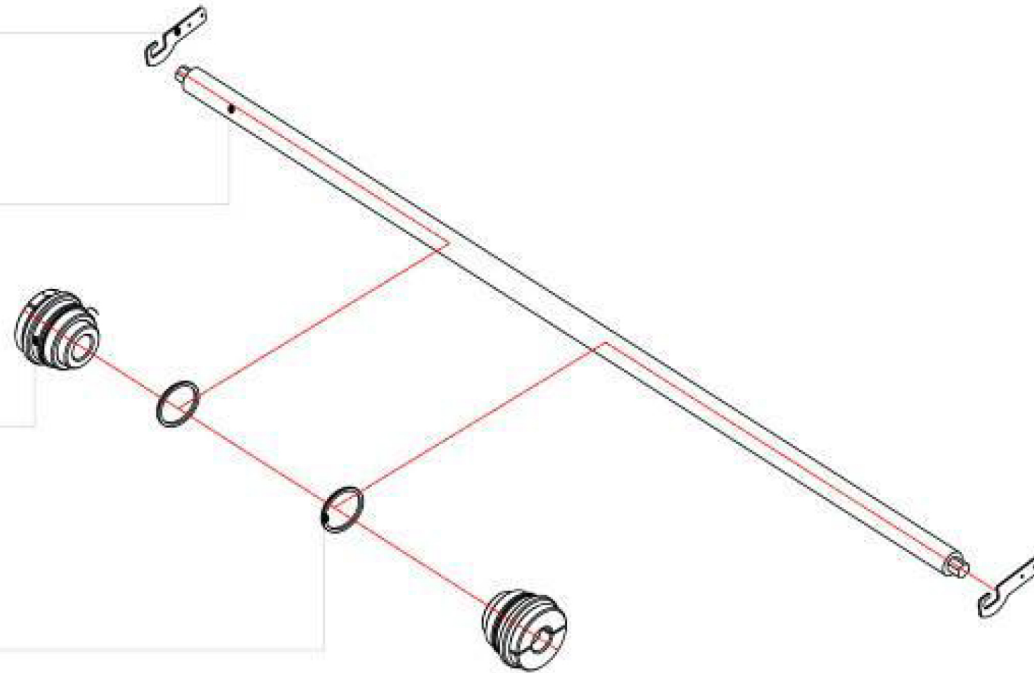
View 10  
122 – Stand assembly

16

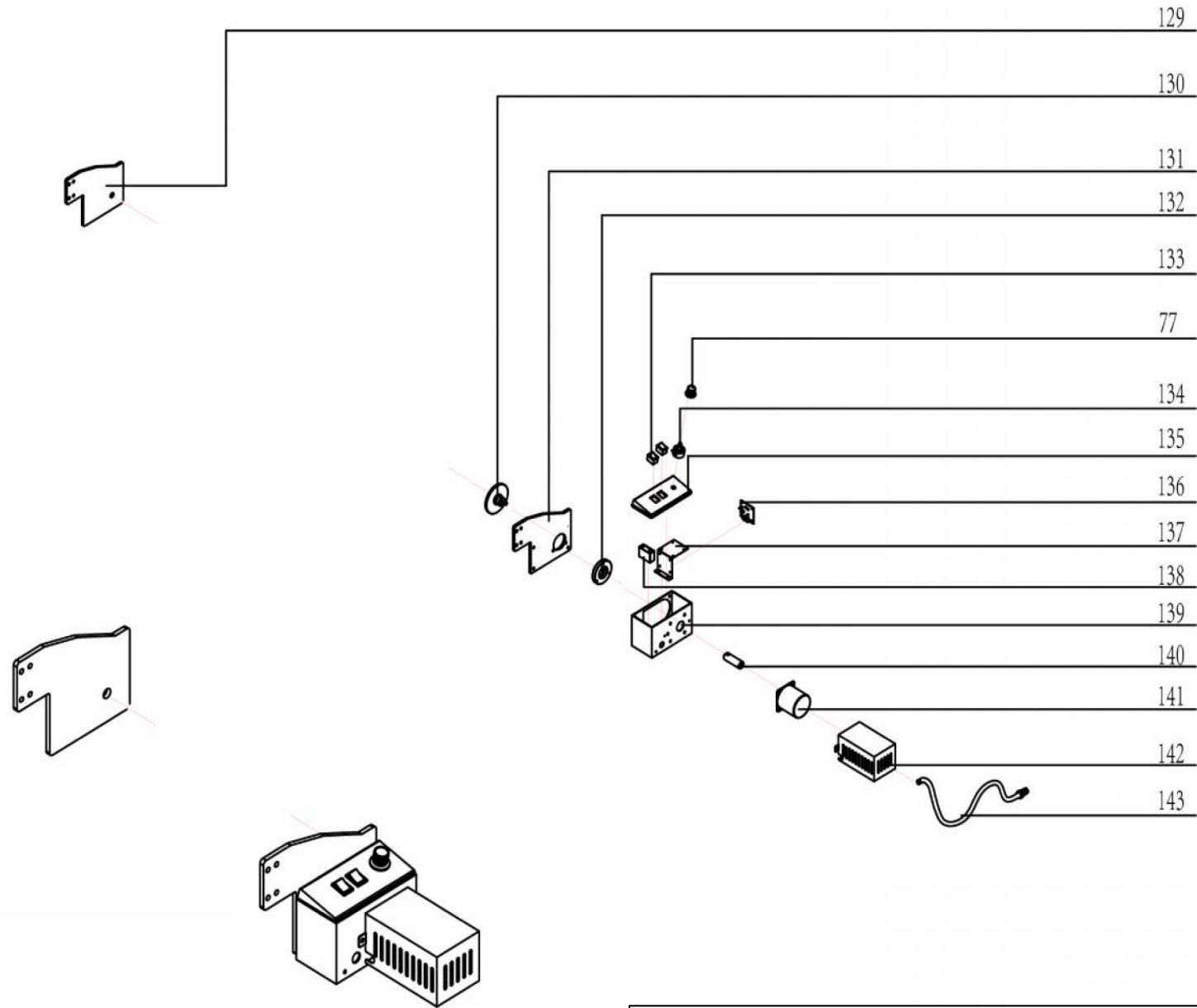
15


14

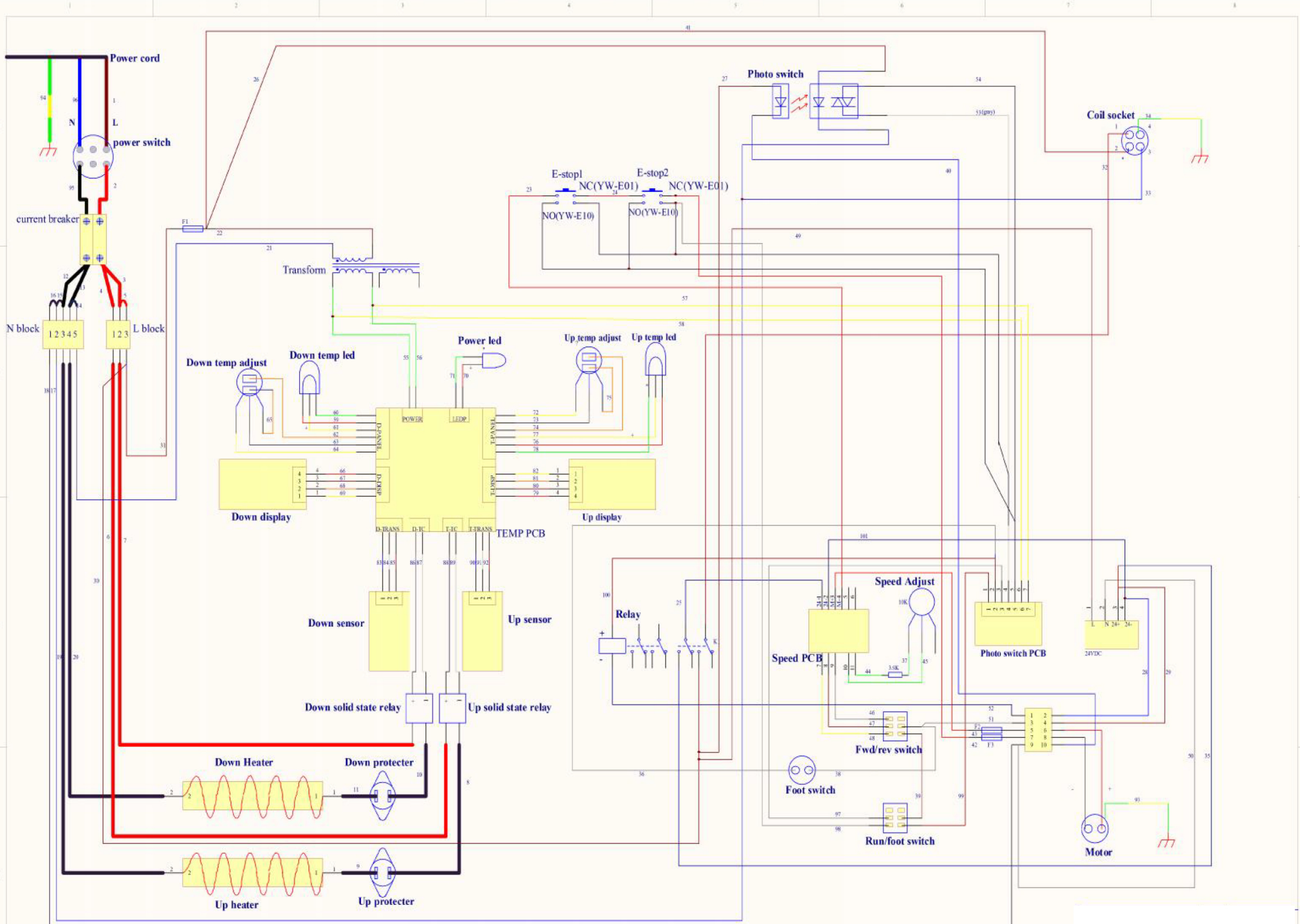
13



View 11  
127 – Front feed unwind assembly



 View 12  
DH-220 Rewind motor assembly



800 Series Wiring Diagram