

SERVICE MANUAL Gfp 255 C



July 15, 2015

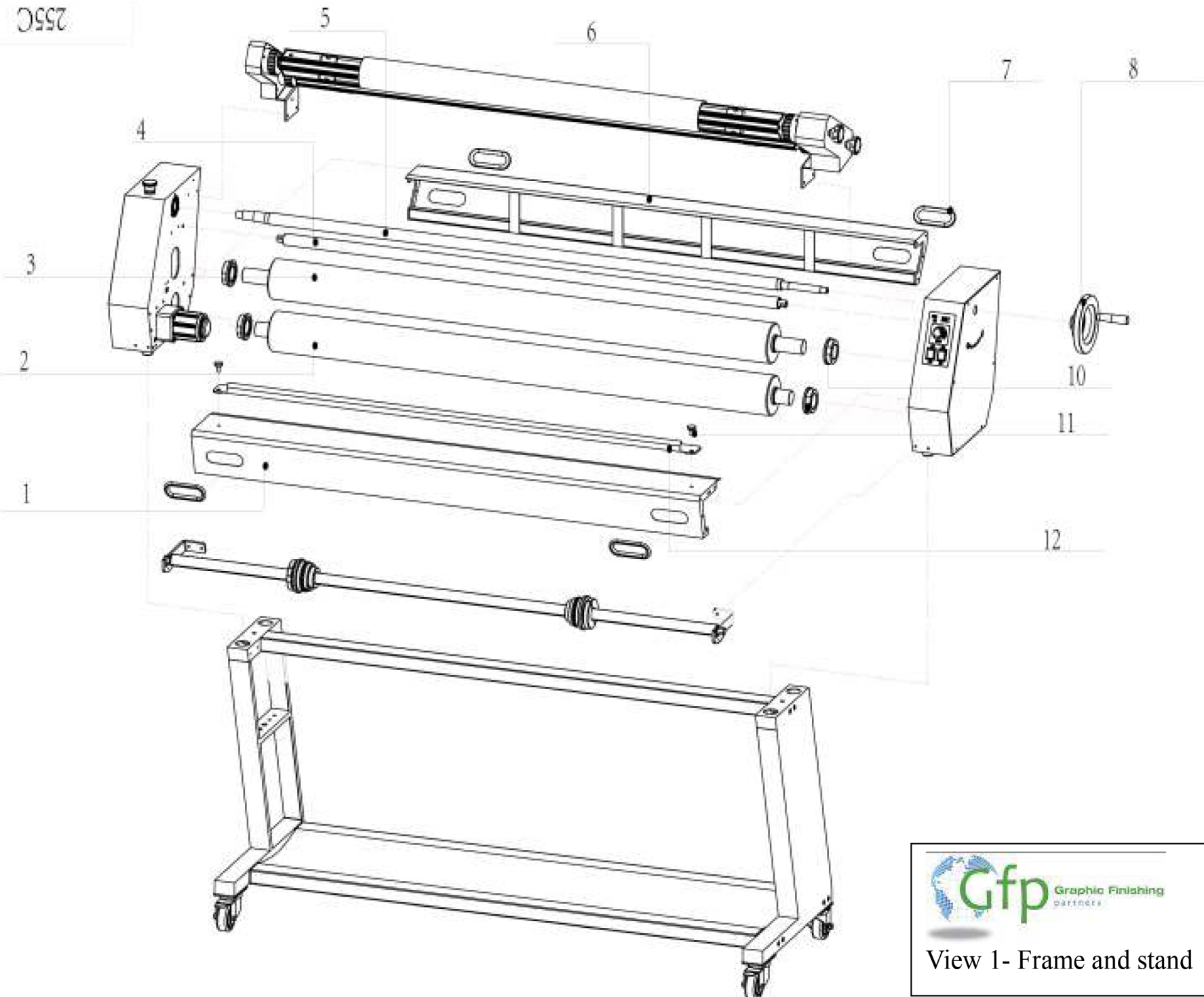
Table of Contents

	Page
1. Parts list	3-5
2. Exploded Drawings	
View 1 - Frame and Stand.....	6
View 2 - Left Side Frame.....	7
View 3 - Right side frame.....	8
View 4 - Stand.....	9
View 5 - Upper Rewind Housing.....	10
3. Wiring Diagram.....	11

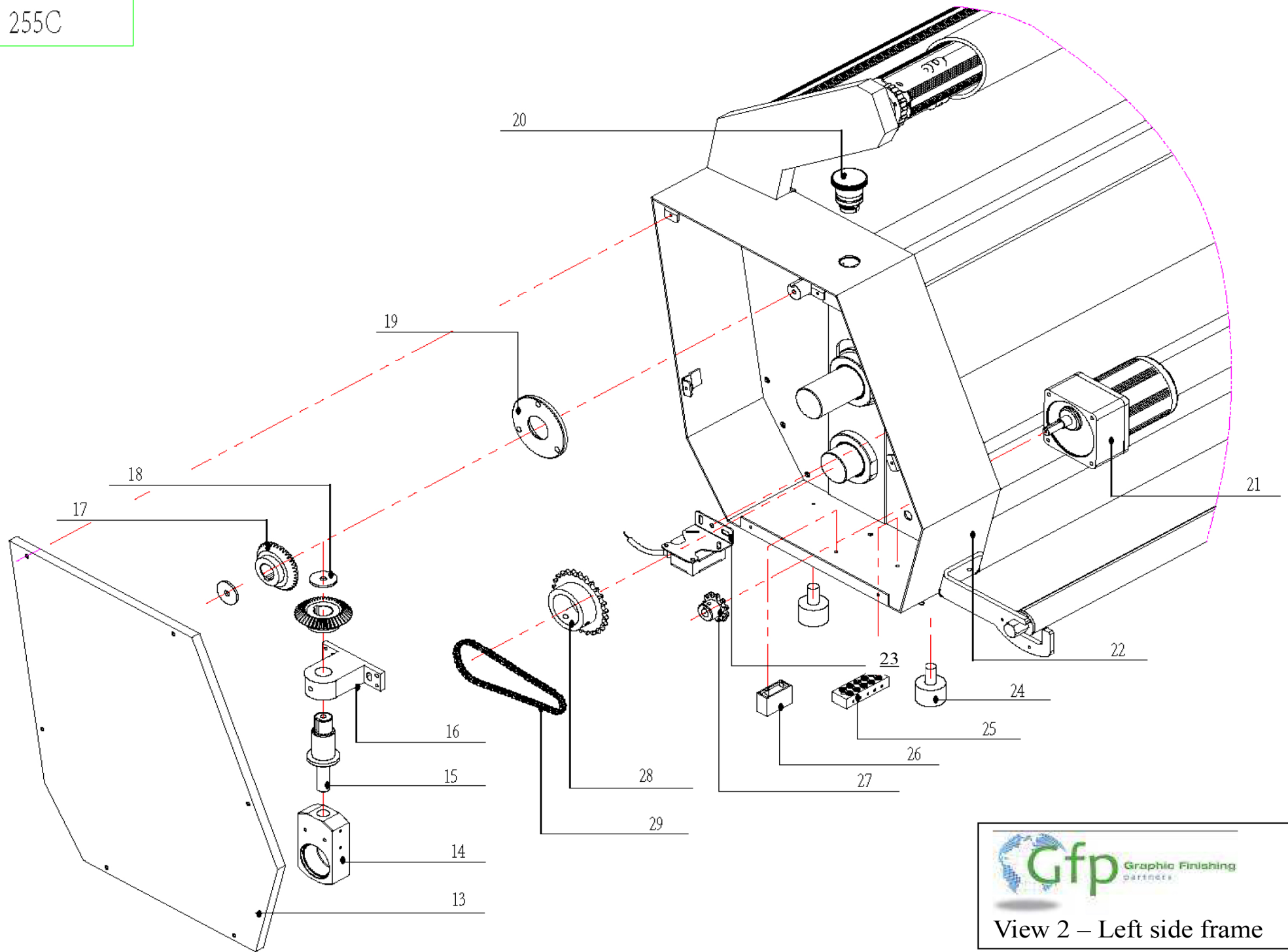
DRAWING NUMBER	PART NUMBER	DESCRIPTION	VIEW NUMBER	STOCK ITEM
01	55C-1	Front cross member	1	
02	55C-2	Bottom nip roller	1	YES
03	55C-3	Top nip roller	1	YES
04	55C-4	Idler bar	1	
05	55C-5	Linkage pressure adjustment shaft	1	
06	55C-6	Rear cross member	1	
07	TH-24	Hand protection rubber cover	1	
08	DH-8	Hand wheel	1	YES
10	TH-18	Bearing sleeve	1	YES
11	DH-101	Print hold down bolt	1	YES
12	55C-155	Print hold down bar	1	YES
13	55C-11	Left side cover	2	
14	TH-41	Pressure-regulating bearing seat	2,3	YES
15	TH-40	Pressure-regulating locating shaft	2,3	YES
16	TH-39	Pressure-regulating support seat	2,3	YES
17	TH-16	Angle gear	2,3	YES
18	TH-04	Stopper	2,3	YES
19	TH-07	Rewind tube bearing	2,3	YES
20	DH-48	Emergency switch	2,3	YES
21	55C-19	Drive Motor	2	YES
22	55C-121	Left side frame	2	
23	TH-115	Photoelectric sensor	2,3	YES
24	TH-150	Leveling feet	2,3	YES
25	TH-85	Wiring terminal	2	YES
26	55C-24	Capacitor	2	Included with motor
27	55C-25	Motor sprocket	2	YES
28	55C-26	Nip roller sprocket	2	YES

DRAWING NUMBER	PART NUMBER	DESCRIPTION	VIEW NUMBER	STOCK ITEM
29	55C-27	Chain	2	YES
30	55C-28	Switch	3	YES
31	C-17	Knob	3	YES
32	55C-30	On lamp	3	YES
33	55C-122	Right side frame	3	
34	TH-99	Potentiometer	3	
35	TH-98	Power switch	3	YES
36	C-20	Wave filter	3	
37	C-21	Power cord	3	
38	TH-94	Fuse (1 amp 5 x 20mm)	3	YES
39	C-22	Tightner	3	
40	55C-38	Aviation plug	3	
41	TH-87	Speed control board	3	YES
42	55C-40	Photocell eye control board	3	YES
43	55C-123	110V transformer	3	
44	55C-124	110V transformer	3	
45	TH-111	Pedal switch	3	YES
46	55C-43	Right side cover	3	
47	55C-125	Left stand side frame	4	
48	55C-45	Stand cross member	4	
49	TH-47	Stand locking screw	4	YES
50	55C-126	Right stand side frame	4	
51	55C-51	Cloth tray	4	
52	55C-52	Velcro straps	4	
53	55C-53	Caster	4	
54	55C-54	Caster with brake	4	
55	55C-127	Left supply roll bracket	4	YES
56	55C-46	Lower supply shaft	4	
57	C-30	Brake pad	4	
58	TH-03	Film core adaptor/brake	4	YES

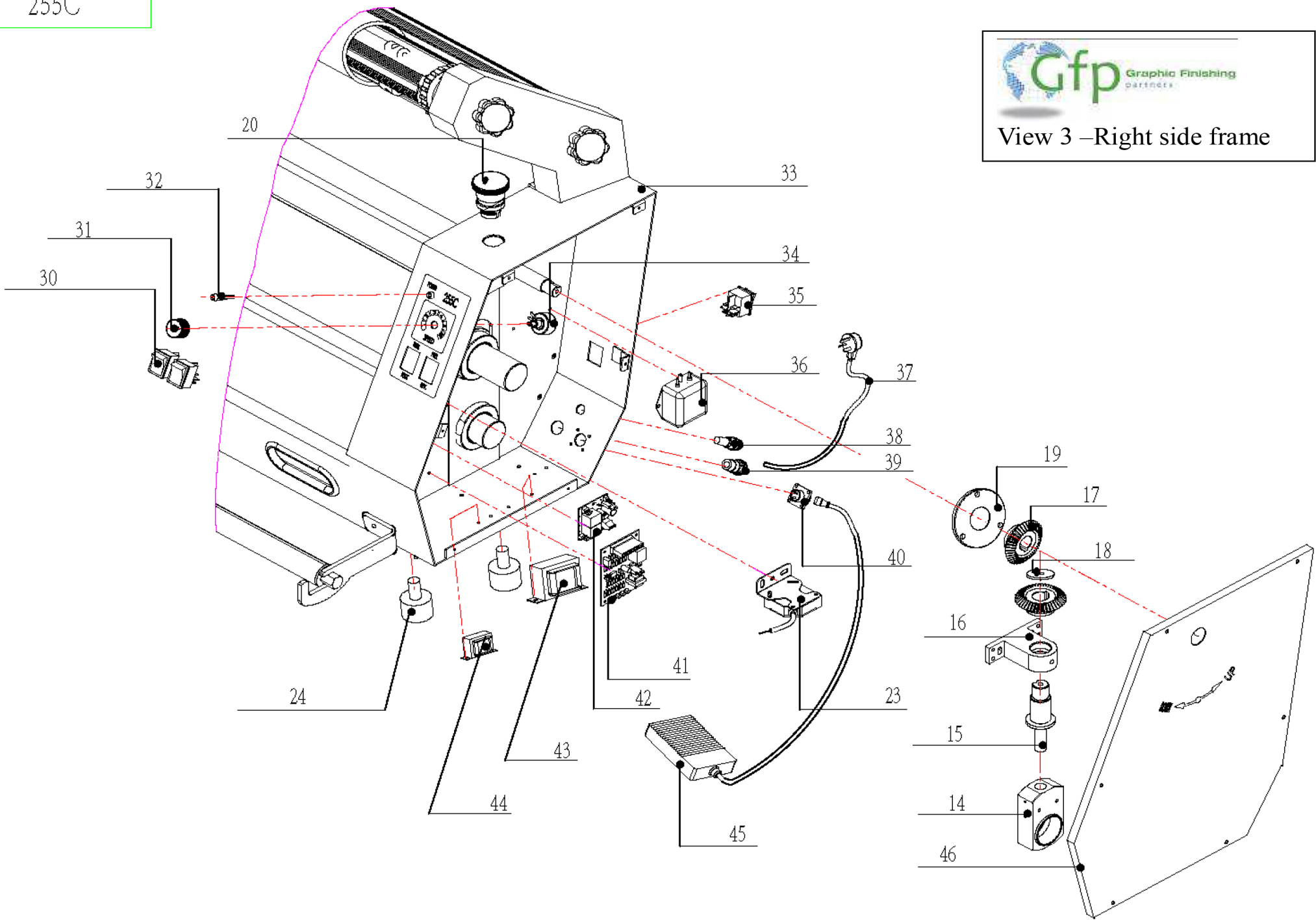
DRAWING NUMBER	PART NUMBER	DESCRIPTION	VIEW NUMBER	STOCK ITEM	
59	55C-128	Right supply roll bracket	4	YES	
60	55C-129	Right rewind housing	5		
61	55C-130	Damping positioning tube	5		
62	55C-131	Roller compressed spring	5		
63	55C-132	Friction disc (1)	5		
64	55C-133	Friction plate (1)	5		
65	55C-134	Sprocket wheel link plate	5		
66	55C-135	Small chain sprocket	5		
67	55C-136	Composite bearing	5		
68	55C-137	Left locking inner sleeve	5		
69	55C-138	Damping adjustment shaft	5		
70	55C-139	Right locking inner sleeve	5		
71	55C-140	Right locking outer sleeve	5		
72	55C-141	Left supporting plate	5		
73	55C-142	Left rewind housing	5		
74	55C-143	Damping adjustment shaft	5		
75	55C-144	Right support plate	5		
76	55C-145	Friction Disc (2)	5		
77	55C-146	Friction plate (2)	5		
78	55C-147	Large chain sprocket	5		
79	55C-148	Rewind chain	5		
80	55C-149	Compression spring positioning sleeve	5		
81	55C-150	Damping positioning tube (2)	5		
82	55C-62	Brake adjustment knob	5		
83	55C-151	Shaft pressing sleeve	5		
84	55C-152	Left shaft end cover	5		
85	55C-153	Quick grip shaft	5		
86	55C-55	Cardboard rewind tube	5		
87	55C-154	Right shaft end cover	5		
88	55C-156	Quick Grip shaft assembly			

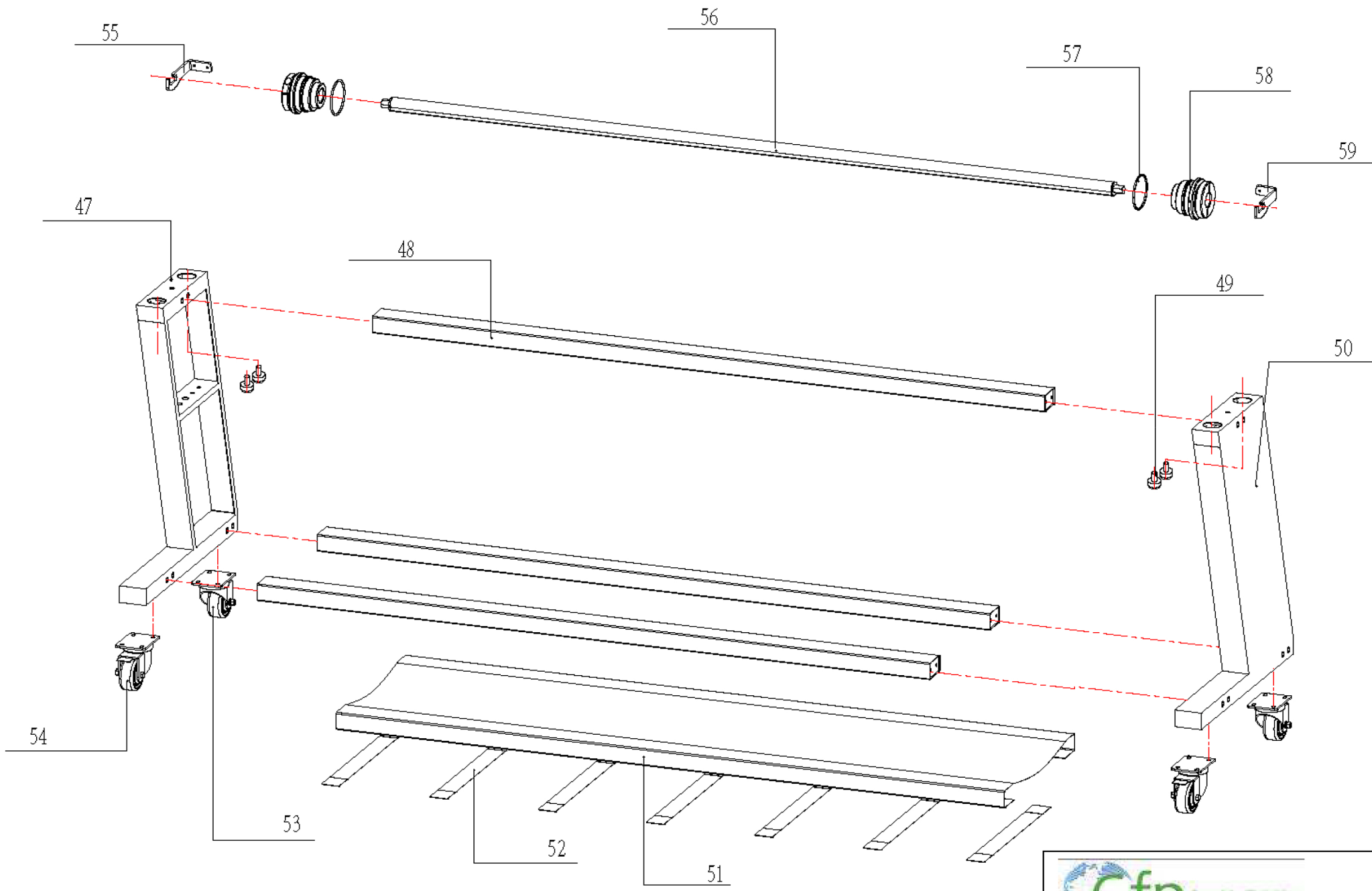


View 1- Frame and stand

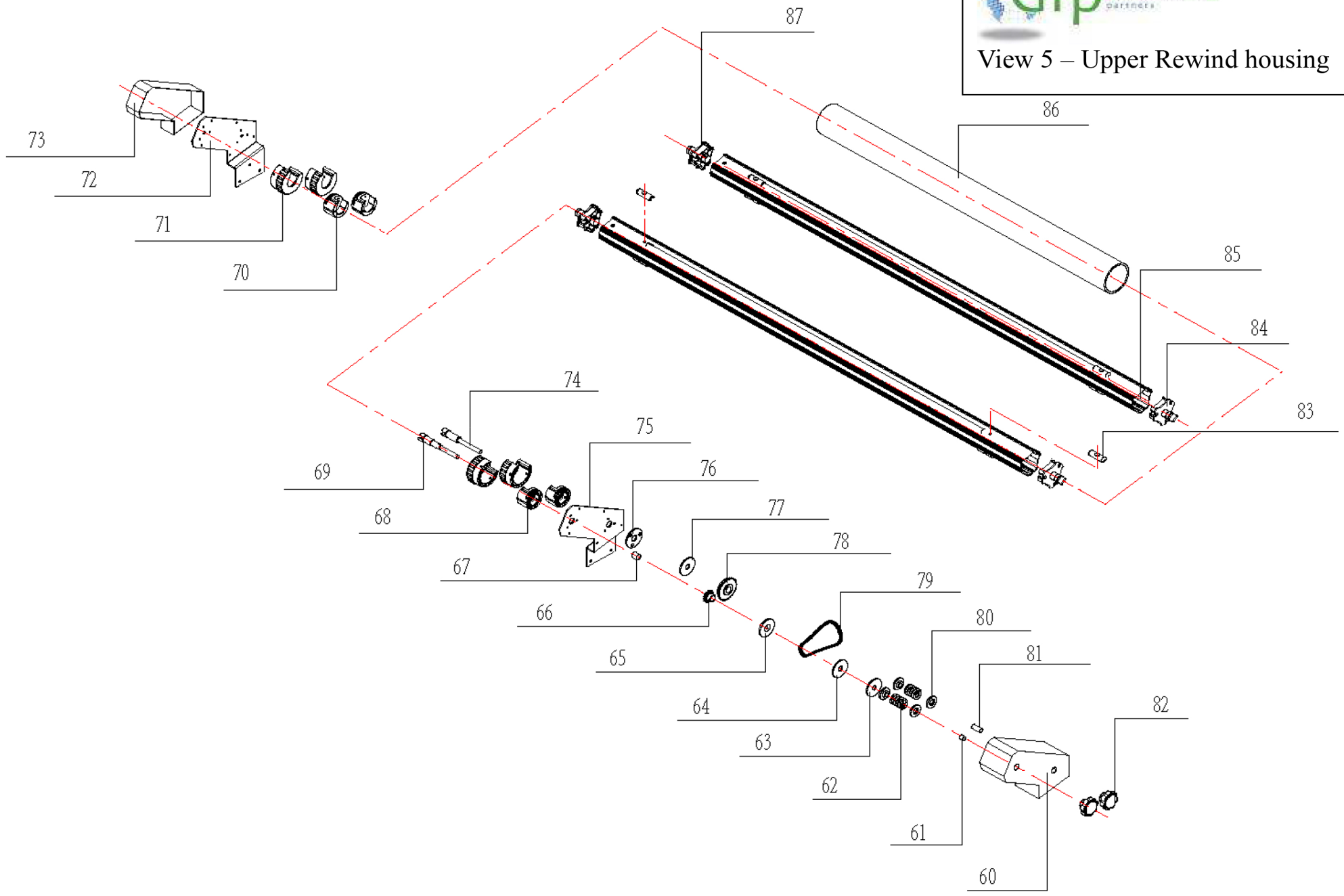


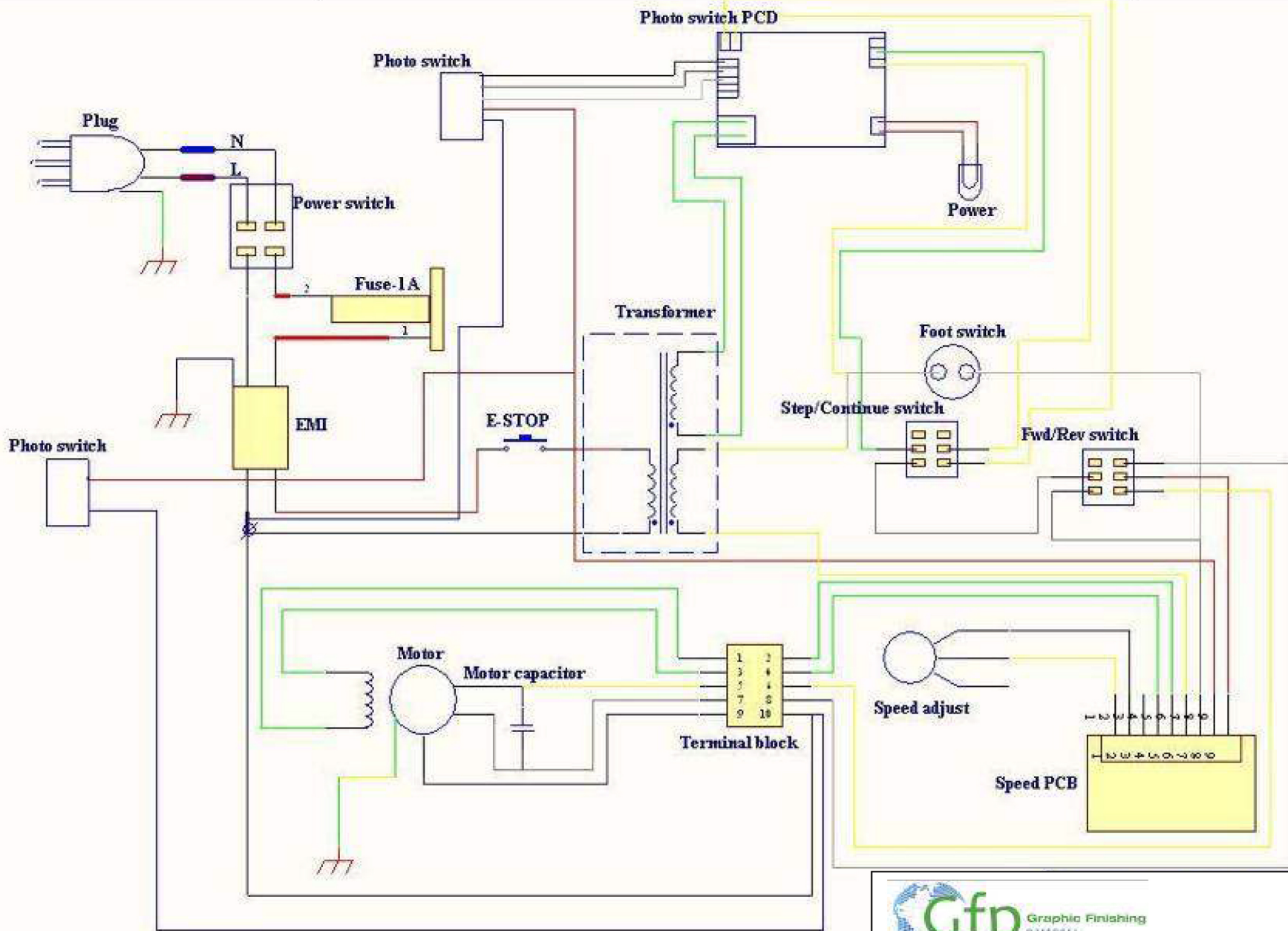
View 2 – Left side frame





View 5 – Upper Rewind housing





View 6 – Wiring Diagram