



TM

Z-3500
SMART AIR PURIFIER,
LARGE
OWNER'S MANUAL

spiralbinding.com
800-631-3572



TruSens™

Welcome to Cleaner Air.

The air you breathe should be clean, no matter where you are in the room. TruSens SensorPod™, PureDirect™ Technology, and DuPont™ Filtration ensure the whole room benefits from cleaner air. You're always in control with Alexa device voice commands and TruSens App remote functions. Track outdoor air quality changes, get filter change reminders, and reorder supplies.

spiralbinding.com
800-631-3572



CONTENTS

SAFETY INFORMATION	4
FEATURE HIGHLIGHTS	6
PRODUCT OVERVIEW	7
GETTING STARTED	8
CONTROL PANEL	10
AIR QUALITY DISPLAY	11
TRUSENS APP	13
VOICE CONTROL	21
SPECIFICATIONS	25
CARE & MAINTENANCE	26
Replacing HEPA Filter	26
Replacing Carbon Filter	27
Washing the Prefilter	27
Replacing UV Bulb	28
FAQ & TROUBLESHOOTING	29
WARRANTY & SUPPORT	31

SAFETY INFORMATION

PLEASE READ AND SAVE THESE INSTRUCTIONS

This appliance has a polarized plug (one blade is wider than the other). To reduce the risk of electric shock, this plug is intended to fit in a polarized outlet only one way. If the plug does not fit fully in the outlet, reverse the plug. If it still does not fit, contact a qualified electrician. Do not attempt to defeat this safety feature. Unplug or disconnect the appliance from the power supply before replacing filters or UV bulb, or when appliance is not in use.



WARNING: To reduce the risk of fire or electric shock, do not use this fan with any solid-state speed control device.

Do not operate any purifier with a damaged cord or plug, or if the wall socket is loose.

Do not run cord under carpeting, throw rugs, runners, or similar coverings. Do not run cord under furniture or appliances. Arrange cord away from traffic area and where it will not be tripped over.



WARNING: Skin or eye damage may result from directly viewing the light produced by the bulb in this apparatus. Always disconnect power before relamping or servicing. Replace bulb with UVLZ2000-01, Manufactured by ACCO Brands.

- Remove all packaging, including the filter bag, before use.
- Appliances that are obviously damaged must not be operated.
- This appliance must only be connected to a wall socket outlet matching the supply plug type and rating stated on the rating plate.
- Locate air purifier near the outlet wall socket and do not use extension cords.
- This appliance can be used by children aged from 8 years and above and persons with reduced physical, sensory or mental capabilities or lack of experience and knowledge if they have been given supervision or instruction concerning use of the appliance in a safe way and understand the hazards involved.
- Children shall not play with the appliance.
- Replace the UV bulb with the models specified within this manual.
- Do not attempt to service or repair this product yourself.
- Only use the purifier and SensorPod with the power cable provided.
- Only clean this machine with a damp cloth, do not use solvents or bleach.
- Ensure appliance is always placed on firm level surface before operation.
- Do not block or obstruct the air intake or outlet vents.
- Do not insert fingers or other items into the air intake or outlet vents.
- When the air purifier is in standby mode the SensorPod is still transmitting a signal/data.

Z-2500: FCCID: GV320Z3X00 IC: 6128A-20Z3X00
SensorPod™: FCCID: GV320SP0M1 IC: 6128A-20SP0M1
Contains transmitter module:
FCC ID: B4OEC 86XFPX IC: 21698-EC864FPA

This device complies with part 15 of the FCC Rules.
Operation is subject to the following two conditions:

- (1) This device may not cause harmful interference, and
- (2) this device must accept any interference received, including interference that may cause undesired operation.

Any Changes or modifications not expressly approved by the party responsible for compliance could void the user's authority to operate the equipment.

This equipment has been tested and found to comply with the limits for a Class B digital device, pursuant to Part 15 of the FCC Rules. These limits are designed to provide reasonable protection against harmful interference in a residential installation. This equipment generates, uses and can radiate radio frequency energy and, if not installed and used in accordance with the instructions, may cause harmful interference to radio communications.

However, there is no guarantee that interference will not occur in a particular installation. If this equipment does cause harmful interference to radio or television reception, which can be determined by turning the equipment off and on, the user is encouraged to try to correct the interference by one or more of the following measures:

- Reorient or relocate the receiving antenna.
- Increase the separation between the equipment and receiver.
- Connect the equipment into an outlet on a circuit different from that to which the receiver is connected.
- Consult the dealer or an experienced radio/TV technician for help.

FCC RF Radiation Exposure Statement: This equipment should be installed and operated with minimum distance of 20cm between the radiator and all persons.

This device contains license-exempt transmitter(s)/ receiver(s) that comply with Innovation, Science and Economic Development Canada's license-exempt RSS(s). Operation is subject to the following two conditions:

- (1) This device may not cause interference.
- (2) This device must accept any interference, including interference that may cause undesired operation of the device.

FEATURE HIGHLIGHTS



SensorPod

Remote air quality monitor that ensures cleaner air, right where you need it.



PureDirect Technology

Independent lab testing confirms that two airflow streams are better than one, moving air effectively and more comfortably throughout the room.



Informs and Adapts

Color-coded illuminated ring provides additional information by communicating air quality in real-time.



360° Purification

DuPont™ HEPA filter captures pollutants and VOC gases/odors from all directions. UV light kills germs and bacteria that can get trapped in the filter.

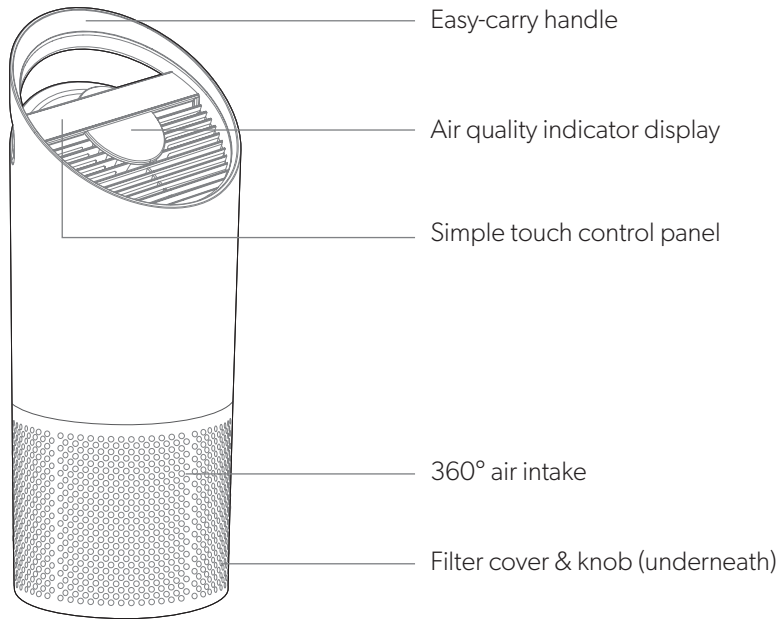


TruSens App and Alexa Device Voice Commands

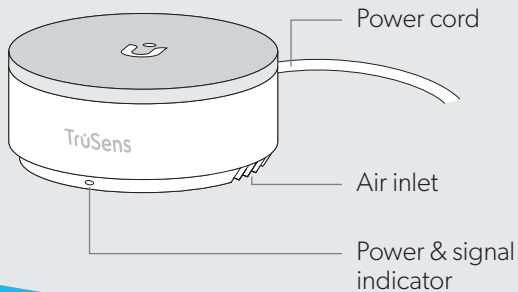
You're always in control with voice command compatibility and the TruSens App remote functions. Track outdoor air quality changes, get filter change reminders, and reorder supplies.

PRODUCT OVERVIEW

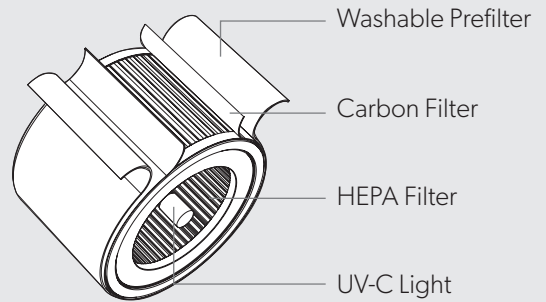
Air Purifier



SensorPod



Filter & UV-C Light

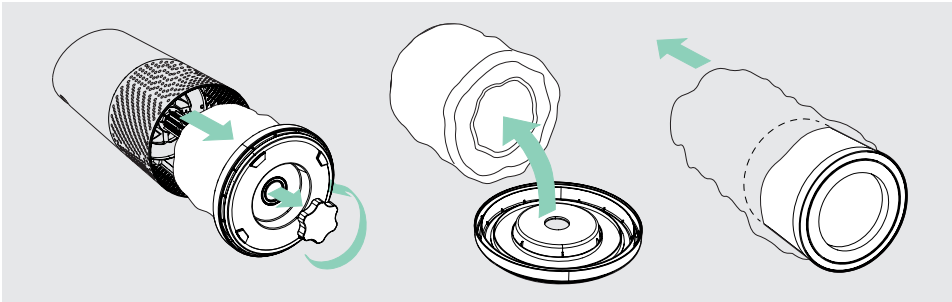


GETTING STARTED



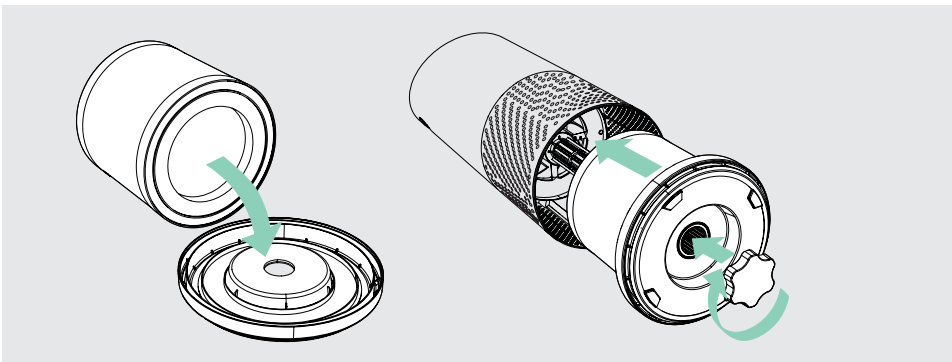
1. Remove plastic bag from filter

Unscrew the bottom cover and remove the plastic bag from the filter.



2. Re-attach filter

Secure filter on the bottom cover and replace inside the purifier.



3. Set up

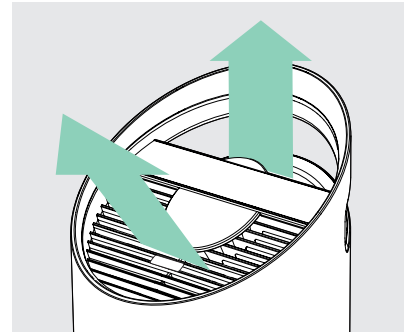
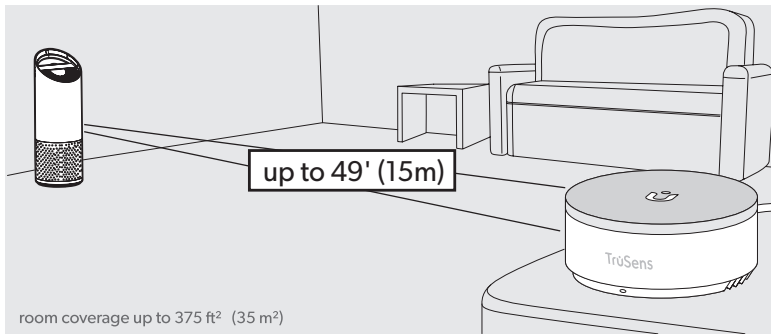
Plug-in your SensorPod, and place upright on tabletop or counter across the room, within line of sight of the purifier.

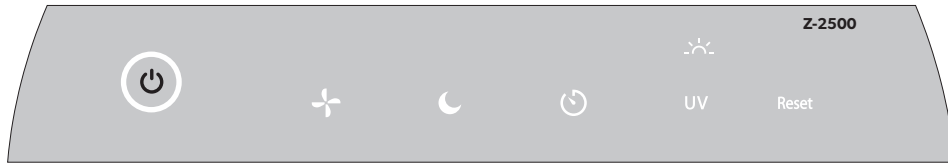
Plug-in your air purifier unit and power on. Place the purifier on a flat surface, free from obstructions.

Signal strength may vary by location. In the rare occasion that it doesn't work – see page 18.

4. Start living with cleaner air

The purifier will automatically adjust fan speeds based on the air quality readings from SensorPod, and proprietary PureDirect technology will deliver purified air throughout the room.





Power Button



Fan Speed Settings

Select fan speed or AUTO mode. In AUTO mode, purifier automatically adjusts fan speed based on air quality readings from SensorPod.

(AUTO mode only available when purifier is paired with SensorPod and receiving signal)



Dimmer Mode

Display illumination turns off – for use while sleeping – without sacrificing the effectiveness of the purifier. Simply press the button again to bring back all display features.



Timer Mode

Purifier will automatically turn off after 2, 4, 8, or 12 hours. To cancel this countdown, simply press button until no timer setting is displayed.



UV Mode

UV bulb within the purifier's filter chamber is on when the ☀️ symbol is white. The ☀️ symbol will glow red when it is time to replace the UV bulb.

(See page 16 for replacement instructions)



Reset

Filter and UV Indicator Reset
HEPA, Carbon and UV indicators glow red when it is time for each to be replaced.

When 1 indicator is on, simply hold Reset button for 3 seconds to reset that indicator. When 2+ indicators are on, tap the Reset button to select the correct indicator (selected indicator will blink) before holding 3 seconds to reset that indicator.

(See pages 14-16 for replacement instructions. Follow above Reset button instructions after replacing filter.)

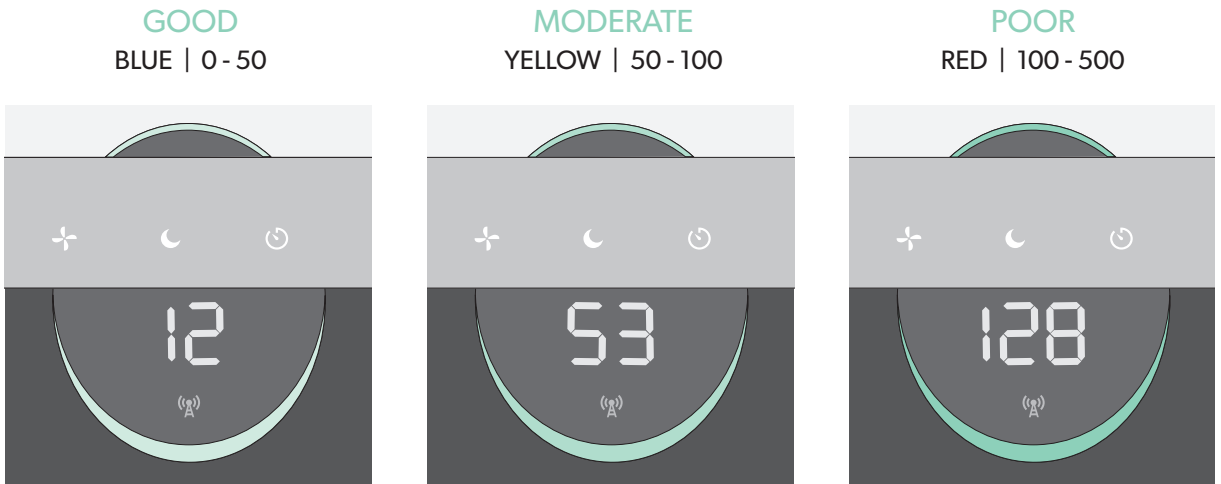
AIR QUALITY DISPLAY

Real-time Feedback

The enhanced SensorPod evaluates the condition of your air by measuring both particulate matter (PM1.0, PM2.5, PM10) and volatile organic compounds (VOCs). It calculates the overall air quality using a proprietary algorithm that is reactive to genuine increases in pollutants without overreacting to someone entering the room or settling into the couch.

The illuminated, color-coded display communicates good, moderate or poor air quality and a numeric value provides a greater level of detail.

In AUTO mode, the purifier automatically adjusts the fan speed in response to these air quality readings.



TruSens utilizes the Air Quality Index (1-500) created by the U.S. Environmental Protection Agency (EPA).

TRUSENS APP



The TruSens app allows you to conveniently control your TruSens air purifier from your smart device, whether you are across the room or across town.

You'll have the same control and real-time air quality feedback as on the purifier, and will also find historical tracking of your indoor air quality, information on your local outdoor air quality, and you will be able to set a schedule for the purifier. The app will also notify you when it's time to replace your filter or UV bulb, and you can easily reorder through the app.



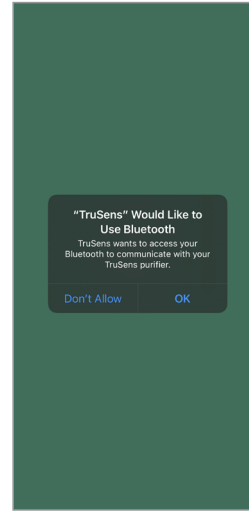
Download the TruSens App from the Google Play Store or the Apple App Store.

Apple and the Apple Logo are trademarks of Apple Inc.
Google Play and the Google Play logo are trademarks of Google LLC.

TRUSENS APP: SET-UP

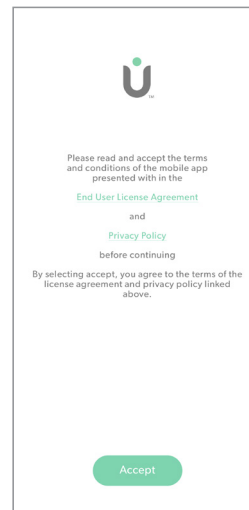
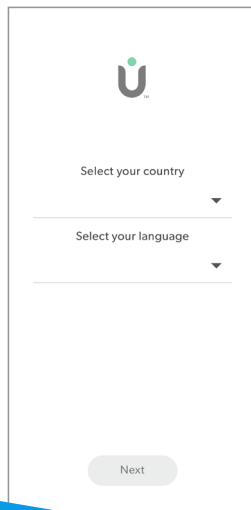
Once downloaded, open the App and follow the on-screen prompts.

Allow the app to use your phone's Bluetooth.



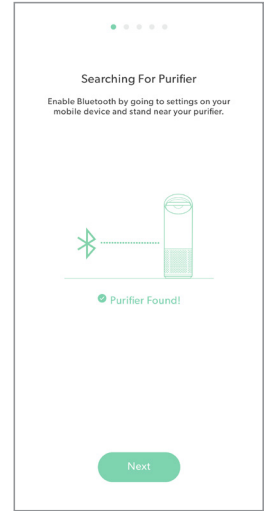
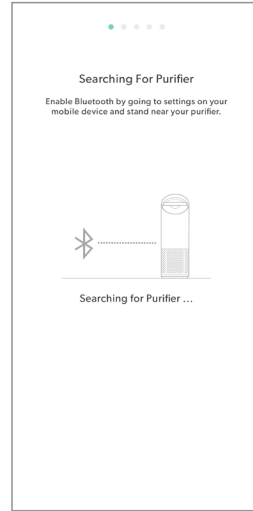
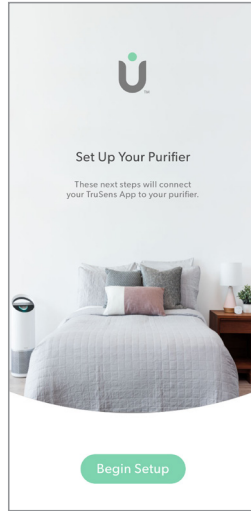
Select your country/language (*this can be updated at any point*).

Accept the End User License Agreement and Privacy Policy.



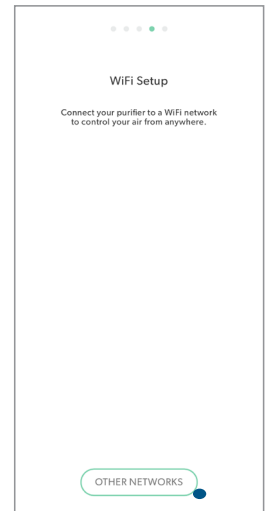
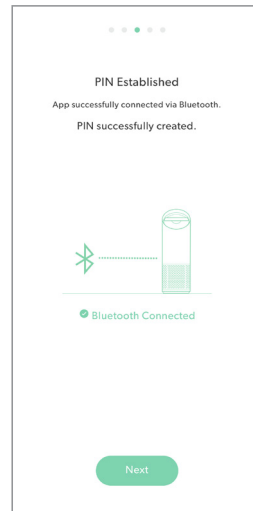
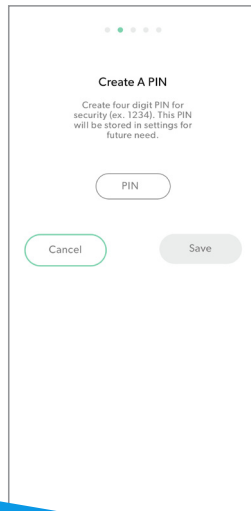
TRUSENS APP: SET-UP

Connect the App to your TruSens purifier (your mobile device needs to be within 5 feet of the purifier).



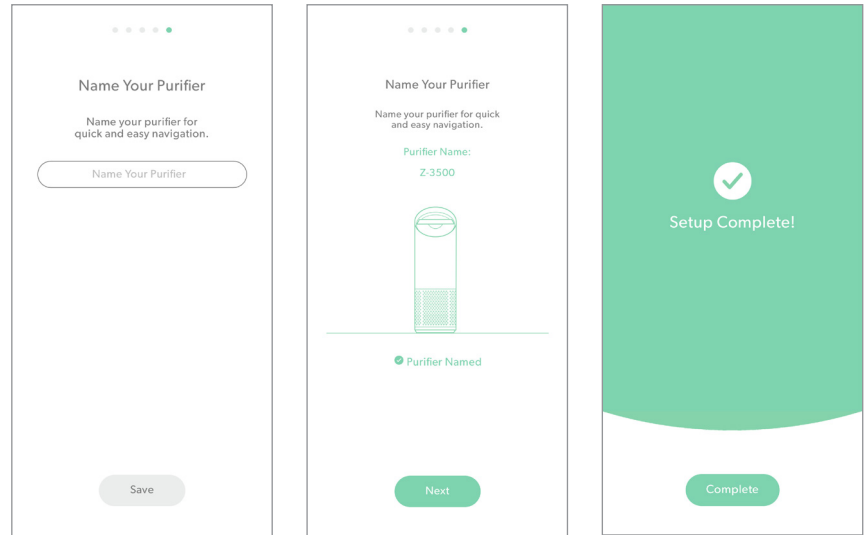
Create a PIN.

Connect your purifier to a Wi-Fi network.



TRUSENS APP: SET-UP

Name your purifier to complete your setup.



NAMING TIPS

- When using your purifier's voice control feature, you will say the purifier's name every time you issue a command; to prevent confusion, each purifier should have a unique name.
- Name your purifier something easy and short/one word, for example: "Bedroom" or "Kitchen".
- Do not include "purifier" in the name. *The Alexa App allows the renaming of a purifier, but we do not recommend it.*

TRUSENS APP FUNCTIONS

Once loaded, you can explore multiple remote functions from the TruSens App's main screen.

POWER ON/OFF

Tap **POWER** to turn your purifier on (*green indicates that a feature is activated*).

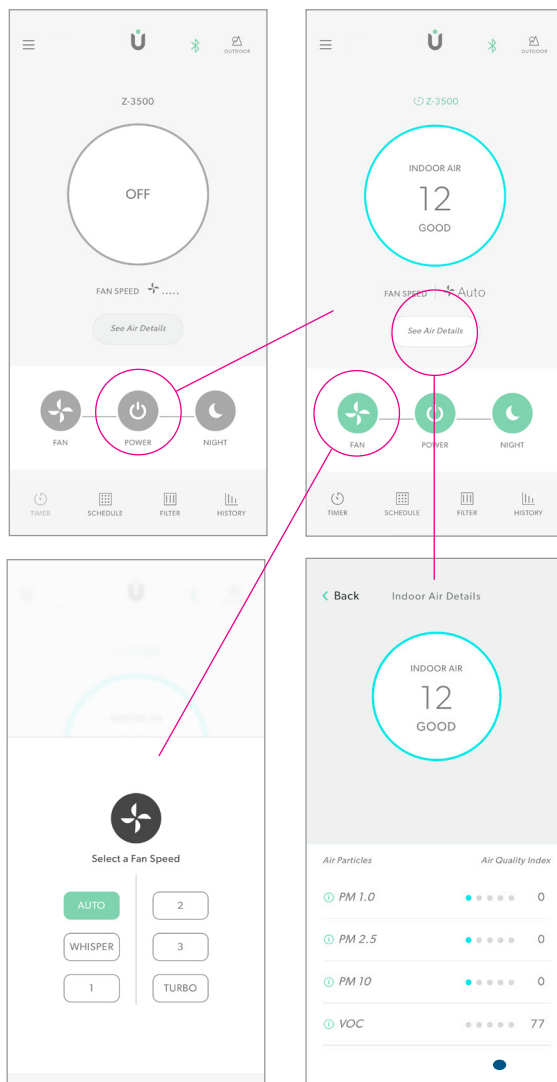
SELECT FAN SETTINGS

Select **FAN** to adjust fan speeds. **AUTO** will adjust the fan speed according to air quality.

SEE AIR DETAILS

The enhanced SensorPod sends real-time air quality data to your purifier and the app. To view details about this data, tap **SEE AIR DETAILS**.

Select **BACK** to return to the main screen.



NIGHT MODE

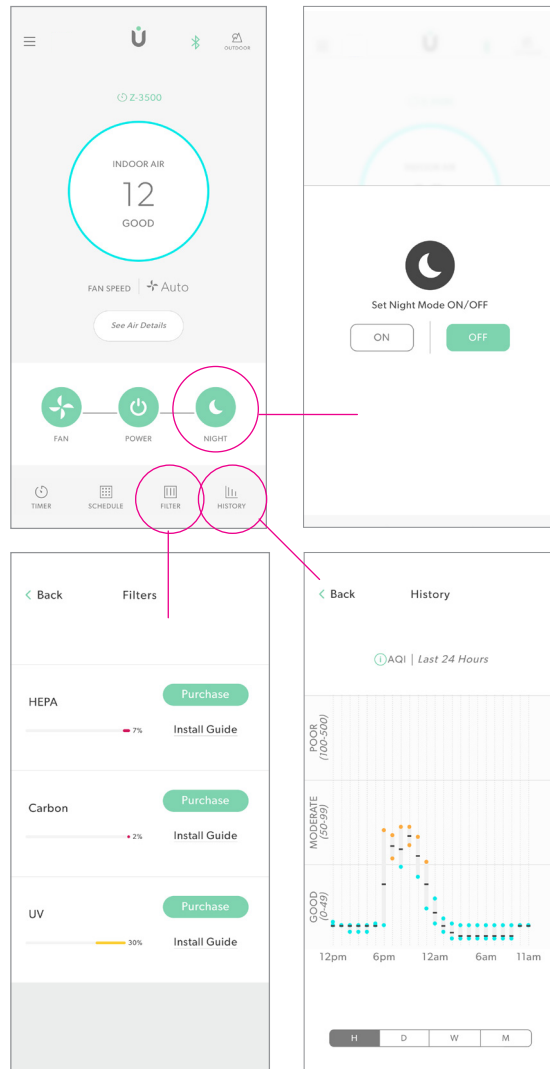
Night Mode dims the lights on the purifier's control panel. Tap the NIGHT button to control this setting.

FILTER STATUS

Track when to reorder new filters & accessories and purchase easily from the app.

VIEW AQI HISTORY

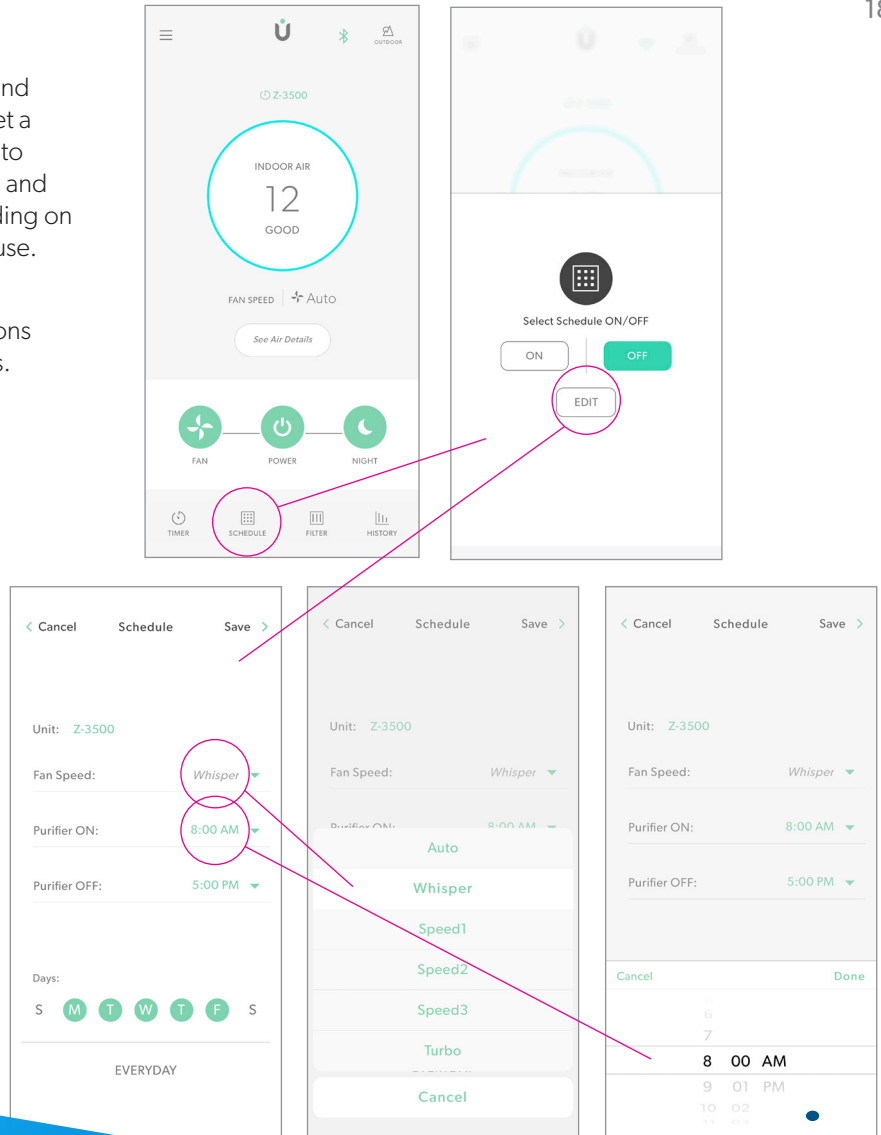
Select HISTORY from the main screen to view your indoor air quality information by the hour, day, week, or month.



SCHEDULE SET UP

Schedules allow you to specify purifier settings based on day and time. For instance, you could set a schedule that tells your purifier to turn off every weekday at 9 am, and back on again at 6 pm, depending on when you're gone from the house.

To initiate the process, select **SCHEDULE** and make selections based on your individual needs.

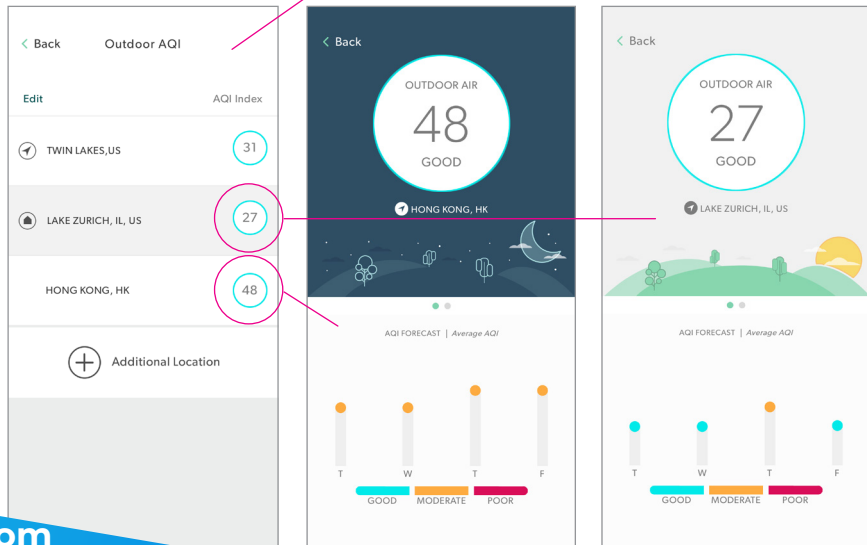
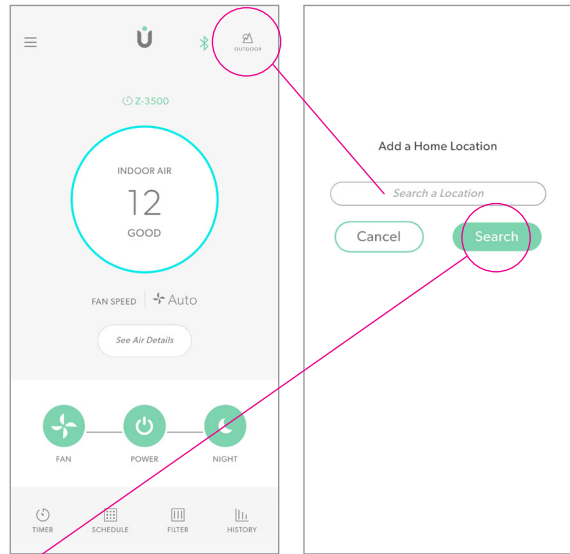


OUTDOOR AIR QUALITY

In addition to indoor air quality information (AQI), you can also access outdoor air quality information from the main screen.

The TruSens app's outdoor air quality information feature can alert and inform you about your local conditions, as well as conditions anywhere in the world.

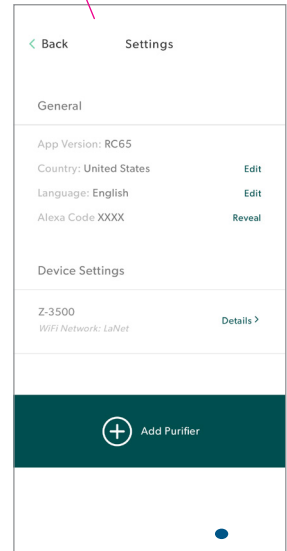
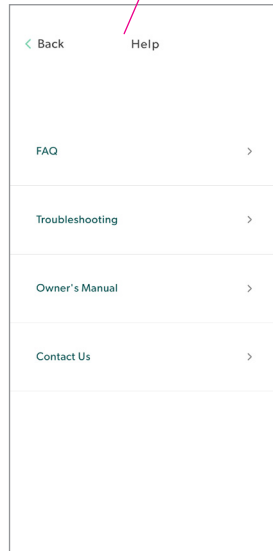
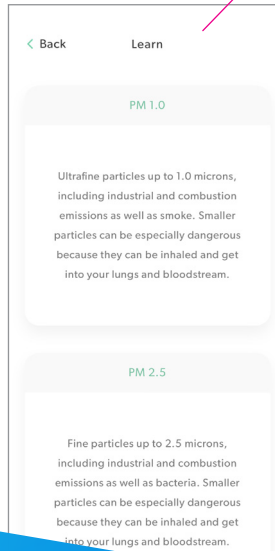
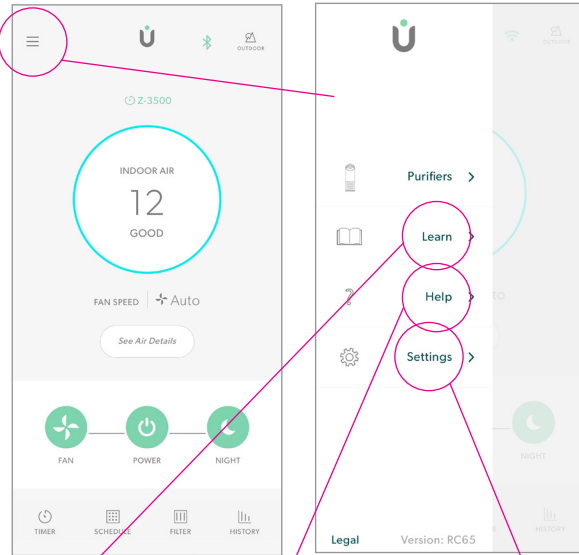
To view outdoor AQIs, select the **OUTDOOR** icon in the upper-right of the main screen and follow prompts.



ADDITIONAL INFORMATION

In addition to making remote purifier functions useful, the TruSens app make it easy to access additional information.

Tap the icon in the upper-left of the main screen and select one of the multiple options.



ALEXA DEVICE VOICE CONTROL

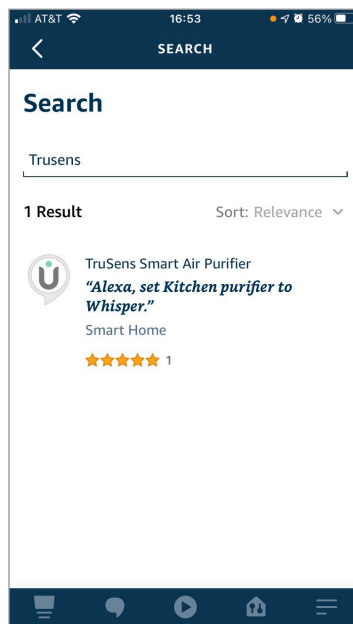
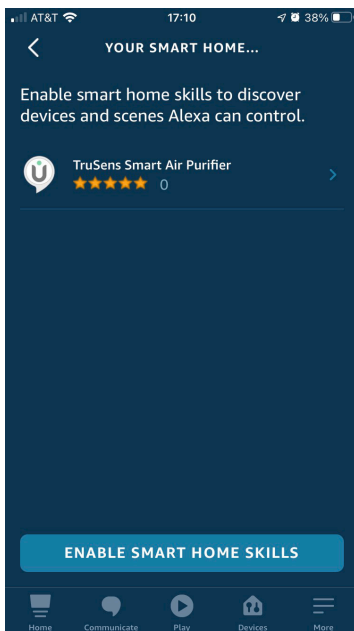
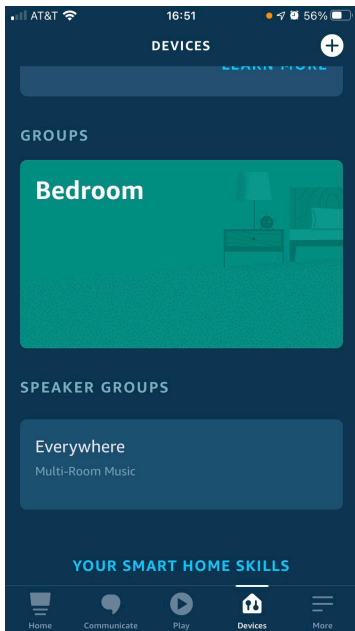
INSTALL THE ALEXA APP

1. Download the latest version of the Amazon Alexa app to you smart device.
2. Once loaded, open the Alexa app and tap the Devices button on the bottom right of the screen.
3. Alexa will scan your Wi-Fi® network and locate your TruSens air purifier (Z-2500 and Z-3500 only).

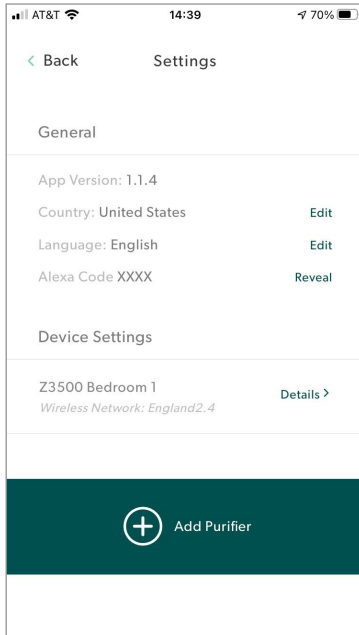
PAIR YOUR TRUSENS SMART AIR PURIFIER WITH ALEXA DEVICE

1. Confirm that your TruSens Smart Air Purifier (Z-2500 and Z-3500 only) and your Alexa device are connected to your local wireless network.
2. Open the Alexa app and search “TruSens” under the Skills section.
3. In the TruSens app, go to Settings and select Reveal to reveal your Alexa code, then click Copy.
4. In the Alexa app, click Enable on the TruSens Skill, then paste the code you copied in step 3.
5. If successful, you will receive this message: Your TruSens Air Purifier account has been successfully linked.

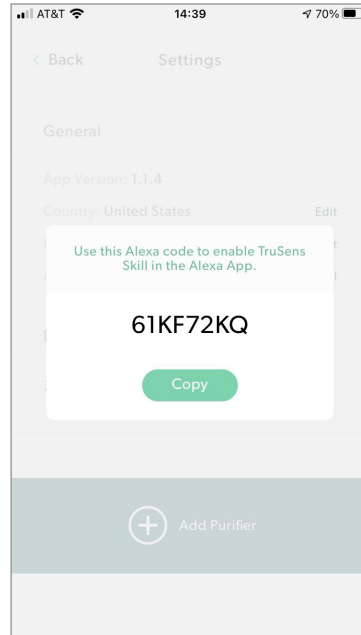
PAIR YOUR TRUSENS SMART AIR PURIFIER WITH ALEXA APP



1. In the Alexa app, navigate to the Devices tab.
2. Click "Your Smart Home Skills". You will likely not have any skills at this time. Once installed, you will see the TruSens skill on this page.
3. Click the "Enable Smart Home Skills" button. In the skills list that appears, click the magnifying glass icon in the upper-right corner to search. Type "TruSens" in the search bar.



4. Select the TruSens skill to install it. This is technically a new skill for your Alexa device, so you may be expected to link your purifier again.



5. If so, please use the TruSens app to obtain a new linking code.

ALEXA DEVICE VOICE COMMANDS

TOPIC	COMMAND
Power ON/OFF	"Alexa, turn ON/OFF (name) purifier"
Fan Speed Settings	"Alexa, set (name) purifier to (Auto/Whisper/Speed 1/Speed 2/Speed 3/Turbo)"
Timer Settings	"Alexa, set (name) purifier timer settings to (2 hours/4 hours/8 hours/12 hours/OFF)"
Dimmer	"Alexa, turn ON/OFF (name) purifier dimmer"
Night Mode	"Alexa, turn ON/OFF (name) purifier night mode"
UV Mode	"Alexa, turn ON/OFF (name) purifier UV"

SPECIFICATIONS

Air Inlet	360°
Air changed 2 times per hr	375 ft ² (35 m ²)
Air Delivery Type	PureDirect™
Sensor	Enhanced SensorPod™ technology with improved air quality measurement sensors that monitor: pollutants (PM1.0, PM2.5, PM10) and VOCs (formaldehyde, paint fumes); works up to 49 ft (15 m) from purifier
Smart Features	<ul style="list-style-type: none"> • TruSens Mobile App with remote functionality • Alexa Device Compatibility
Fan Speed Settings	Whisper, 1, 2, Turbo
Purification Levels	Washable Prefilter, Carbon, HEPA, UV
Timer Settings	2, 4, 8, 12 hr
Filter Change Indicators	Carbon, HEPA, UV
Noise	33–64 dB
Dimensions	8.8" x 8.8" x 22.3" (223 x 223 x 567 mm)
Weight	9.0 lbs (4.1 kg)
Motor Type	DC motor
Power Requirements	120v / 60 Hz
Power Consumption	28 W
Warranty	2 years

REPLACEMENT FILTERS & UV BULB	Standard	Allergy & Flu	Odor & VOC	Pet
HEPA Drum Filter	AFHZ2000-01	AFHZ2000-AGY01	AFHZ2000-SMK01	AFHZ2000-PET01
Carbon Filter	AFCZ2000-01	AFCZ2000-AGY01	AFCZ2000-SMK01	AFCZ2000-PET01
UV-C Bulb	UVLZ2000-01	—	—	—

CARE & MAINTENANCE

Accessing the filter chamber

1. Always power off the purifier by pressing the Power Button and unplugging the power cord.
2. Gently place the unit on its side on the floor so that the filter chamber cover and knob are exposed.
3. Turn the knob counter-clockwise and remove the filter cover and 360° HEPA filter drum (Fig. A).

REPLACING **DUPONT** HEPA FILTER

1. The HEPA indicator will glow red when it is time to change the entire HEPA drum filter.
2. Gently pull the HEPA drum filter away from its place secured to the filter cover (Fig. B).
3. Secure the replacement HEPA filter onto the filter cover (Fig. C).
4. Gently replace the filter cover with filter drum into the filter chamber and onto the threading, and turn the knob clockwise until the knob and filter chamber cover are securely tightened (Fig. D).
5. Plug-in and power on your purifier, and hold the Reset button until the red HEPA indicator turns off.

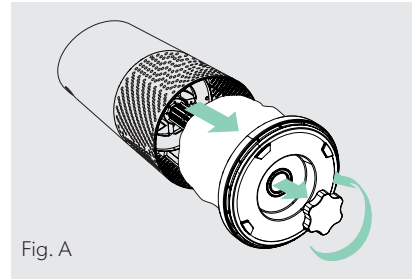


Fig. A

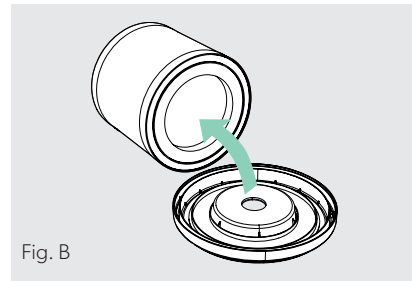


Fig. B

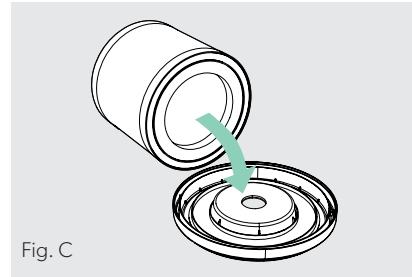


Fig. C

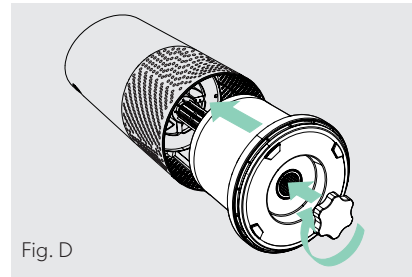


Fig. D

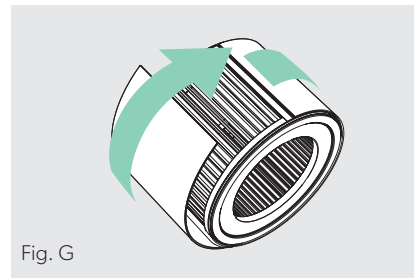
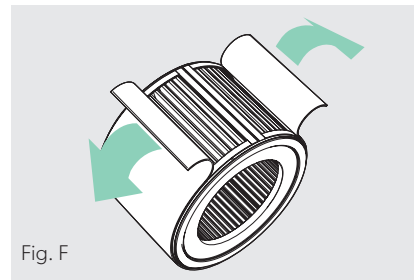
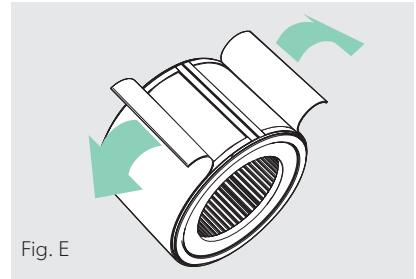
REPLACING THE STANDARD DUPONT® CARBON FILTER

1. The Carbon indicator will glow red when it is time to replace the Carbon layer.
2. Gently peel away the Prefilter from the fastener strips (Fig. E).
3. Gently peel away the used Carbon layer from the fastener strips (Fig. F).
4. Wrap a new Carbon layer around the filter drum and attach to the same fastener strips (Fig. G).
5. Replace the Prefilter by wrapping it around the Carbon layer and attach to the fastener strips (Fig. H).
6. Once the purifier is powered-on, hold the Reset button until the red Carbon indicator turns off.



Note: Standard Carbon filter 3-pack (on page 13) will cover 3 Carbon changes between replacing the entire HEPA drum filter assembly (on page 14).

WASHING THE STANDARD PREFILTER

1. We recommend that you visually inspect the Prefilter every month, and clean as needed. At minimum, you should hand wash the Prefilter every time you change the Carbon filter.
2. Gently peel away the Washable Prefilter from the fastener strips (Fig. E).
3. Gently rinse with running water – allow Prefilter to air dry before re-installing.
4. Replace the Prefilter by wrapping it around the filter drum and attach to the fastener strips (Fig. H).



REPLACING UV BULB

1. The  indicator will glow red when it is time to replace the UV bulb.
2. Remove HEPA filter drum (Fig. A), and use a screwdriver to remove the screw securing the UV housing (Fig. I).
3. Gently remove the UV housing (Fig. J) and disconnect the UV bulb from the socket (Fig. K).
4. Release carriage from the UV bulb (Fig. L).
5. Secure carriage to new UV bulb (on page 13) (Fig. M) and connect UV bulb into purifier (Fig N).
6. Replace the UV housing and use a screwdriver to tighten the fastening screw.
7. Once the purifier is powered-on, hold the Reset button until the  indicator turns white.

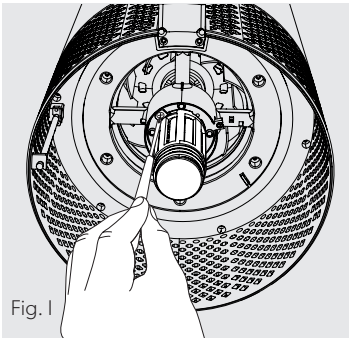


Fig. I

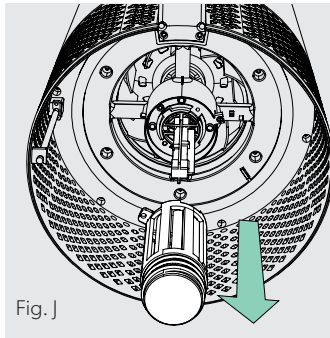


Fig. J

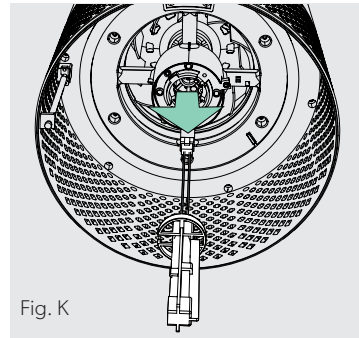


Fig. K

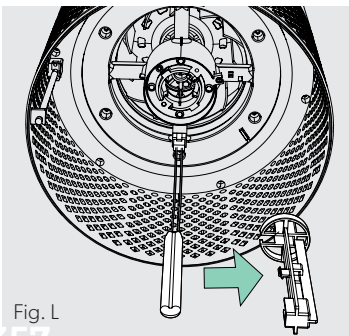


Fig. L

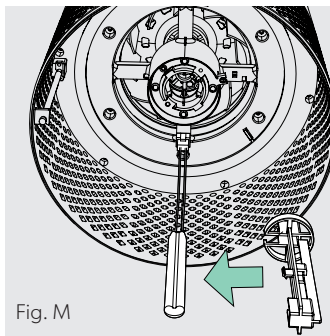


Fig. M

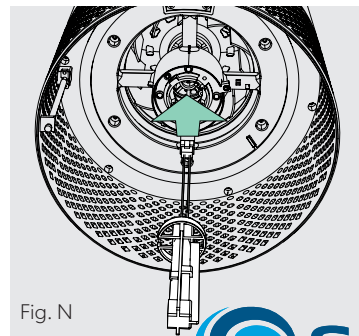


Fig. N

FAQ & TROUBLESHOOTING

<p>Where do I place the SensorPod?</p>	<p>Anywhere you want to measure the air quality within the room. For optimal results, place the SensorPod up to 49 ft (15 m) away from the air purifier on a counter or table, within line of sight of the purifier. In Auto Mode, the purifier will work to distribute clean air until the SensorPod reads an acceptable level of air quality.</p>
<p>How often do I need to change the filters?</p>	<p>That's easy. The purifier's replacement indicators will notify you when it is time to replace the Carbon or HEPA filters, or the UV bulb. Plan on replacing the Carbon every 3-4 months, HEPA every 12-15 months, and UV bulb every 1-3 years.</p>
<p>How often do I need to wash the Prefilter?</p>	<p>The Prefilter captures larger particles and preserves the efficiency of the other filters, so we recommend that you visually inspect the prefilter every month and wash as needed. Another good habit is to wash the prefilter every time you replace the Carbon filter.</p>
<p>Questions about the TruSens app or how the purifier works with Amazon Alexa?</p>	<p>First, always check you are connected to a Wi-Fi® network and that Bluetooth is enabled on your smart device. For other questions, please visit www.trusens.com for more information on troubleshooting.</p>
<p>Purifier won't turn on.</p>	<p>Check that the power cord is connected securely to both the wall outlet and the purifier. Check if there is a power outage in the outlet by trying a nearby light or device, or by trying a working device in the same outlet. Check that the HEPA filter is fitted properly into filter chamber.</p> <p>Please contact us if you're still having a problem (page 19)</p>

FAQ & TROUBLESHOOTING

<p>Purifier won't go into Auto Mode.</p> <p>OR</p> <p>Air quality indicators are off.</p> <p>OR</p> <p>Purifier's sensor signal indicator is blinking.</p>	<p>First, check that the SensorPod is plugged-in and that its light is solid.</p> <p>Next, check that the SensorPod is within range of the purifier (up to 49ft/15m).</p> <p>If both are true and the connection is still failing, see below instructions on repairing the SensorPod's connection.</p>
<p>I've lost my SensorPod.</p>	<p>Don't worry. Please contact our customer support team and you can order a replacement SensorPod. Follow the easy pairing instructions below to pair your replacement SensorPod with your existing air purifier.</p>

Pairing SensorPod and Purifier

The SensorPod communicates with the purifier using radio frequency signals, and will be paired on the production line and ready for use when you open the box. In the rare event that the signal is interrupted, the purifier's sensor indicator light (📶) will blink. You can repair the connection in just a few easy steps.

1. Unplug the SensorPod.
2. HOLD the Power Button on the purifier for 3 seconds, when you should hear two chimes.
3. Plug-in the SensorPod and press and HOLD the pairing button underneath the SensorPod for 5-7 seconds (Fig. O).

4. The connection is established when the purifier's sensor indicator light is lit with no blinking, and the air quality indicators turn on.

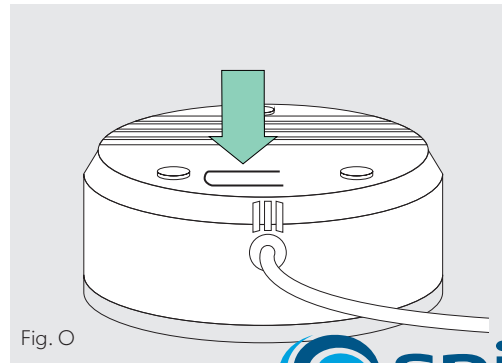


Fig. O

WARRANTY

TruSens warrants that the machine will be perform to the specifications stated and be free from defects in materials and workmanship for a period of 2 years from date of purchase, subject to normal use. Within the guarantee period, TruSens will at its own discretion either repair or replace the defective machine free of charge. Defects due to shipping, misuse, improper maintenance or the use of any parts from another manufacturer are not covered under this guarantee. Proof of date of purchase will be required. Repairs or alternations made by persons not authorized by TruSens will invalidate the guarantee. This guarantee does not affect the legal rights which consumers have under applicable national legislation governing the sale of goods.

SUPPORT

Thank you for welcoming TruSens into your home. Our customers are at the heart of what we do, and we strive to design products that fit your lifestyle. If you have any questions or feedback, please reach out.

Visit our website at www.trusens.com

Email us at support@trusens.com

Call us at **1-833-TRUSENS** (1-833-878-7367)

Subscribe to our YouTube channel [TruSens](#)

& Follow us [@TruSensWellness](#)



TruSens™

www.trusens.com



ACCO Brands
101 O'Neil Road
Sidney, NY 13838
Tel: 1-833-TRUSENS (1-833-878-7367)

©2020 ACCO Brands. All rights reserved. TruSens™, U™ & Design, SensorPod™ and PureDirect™ are trademarks of ACCO Brands. DuPont™ & the Oval logo are trademarks or registered trademarks of E.I. du Pont de Nemours and Company used under license.

spiralbinding.com
800-631-3572

