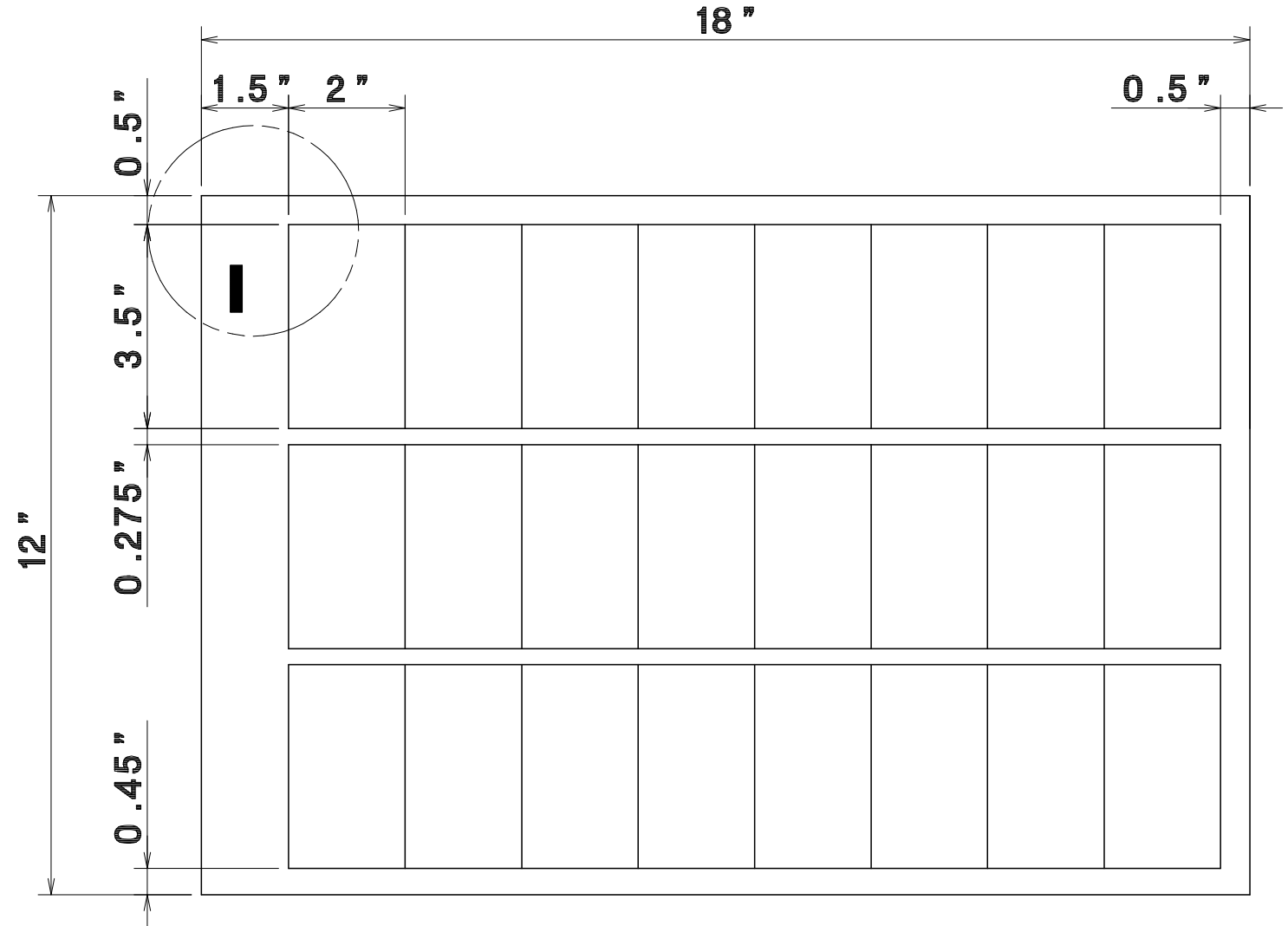
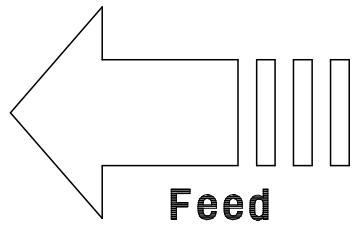
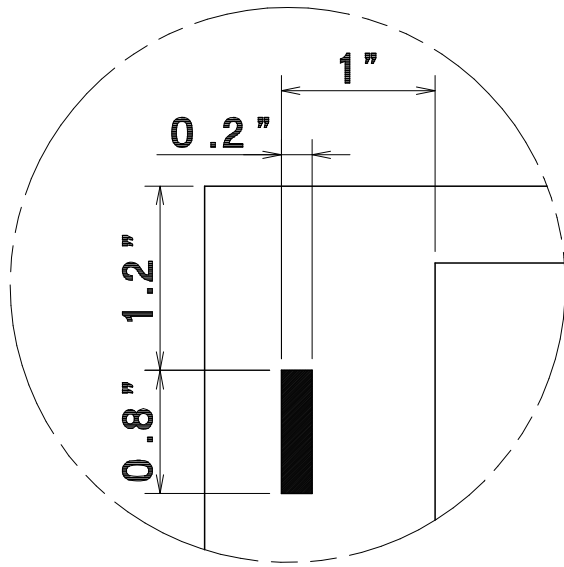


# *AeroCut* PRESET TEMPLATE

ARCH-B  
12"x18"

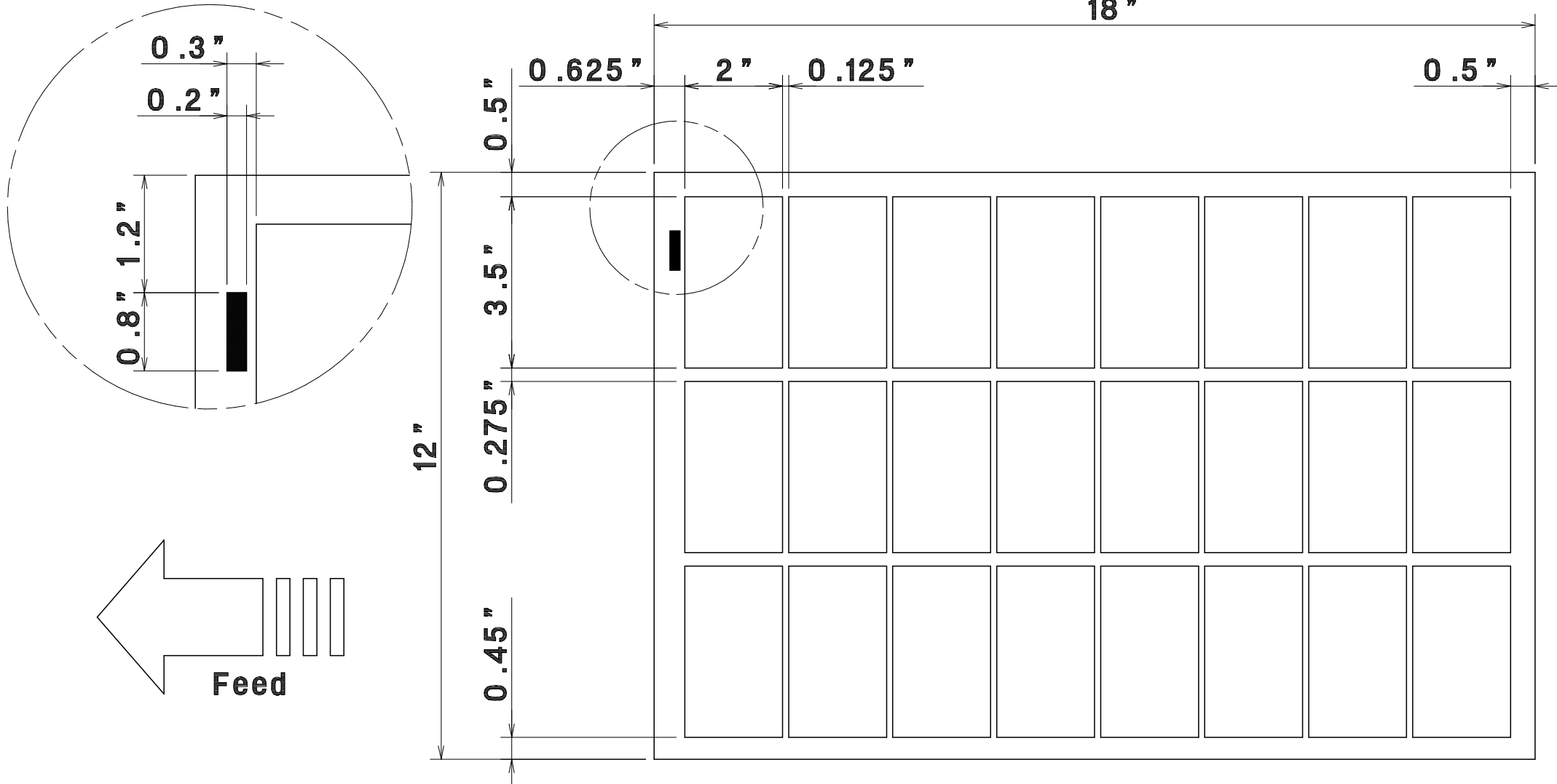
→ 2"x3.5"  
Single cut



# *AeroCut* PRESET TEMPLATE

ARCH-B  
12"x18"

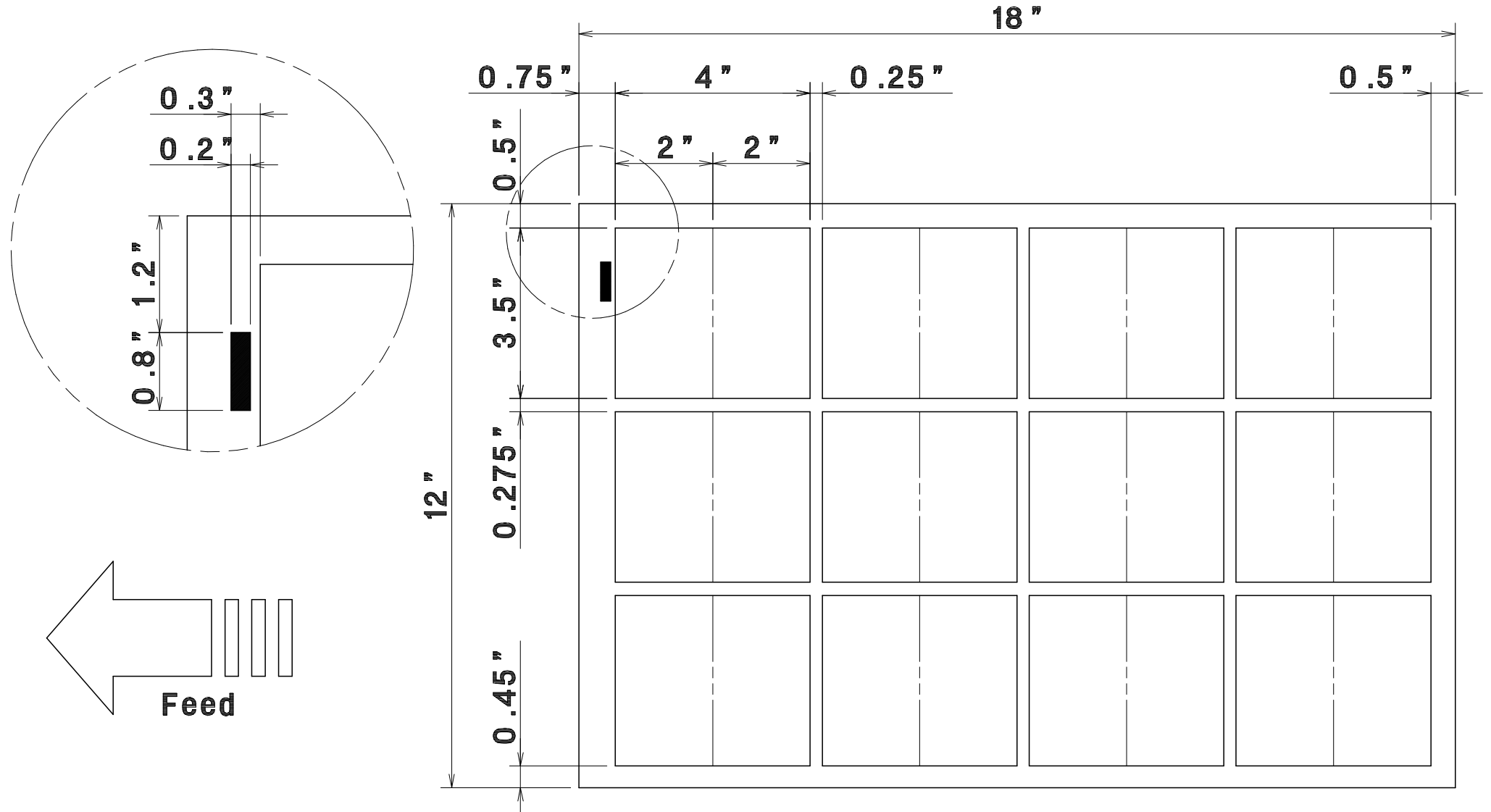
→ 2"x3.5"  
Double cut



# *AeroCut* PRESET TEMPLATE

ARCH-B  
12"x18"

→ 3.5"x4"  
Center crease

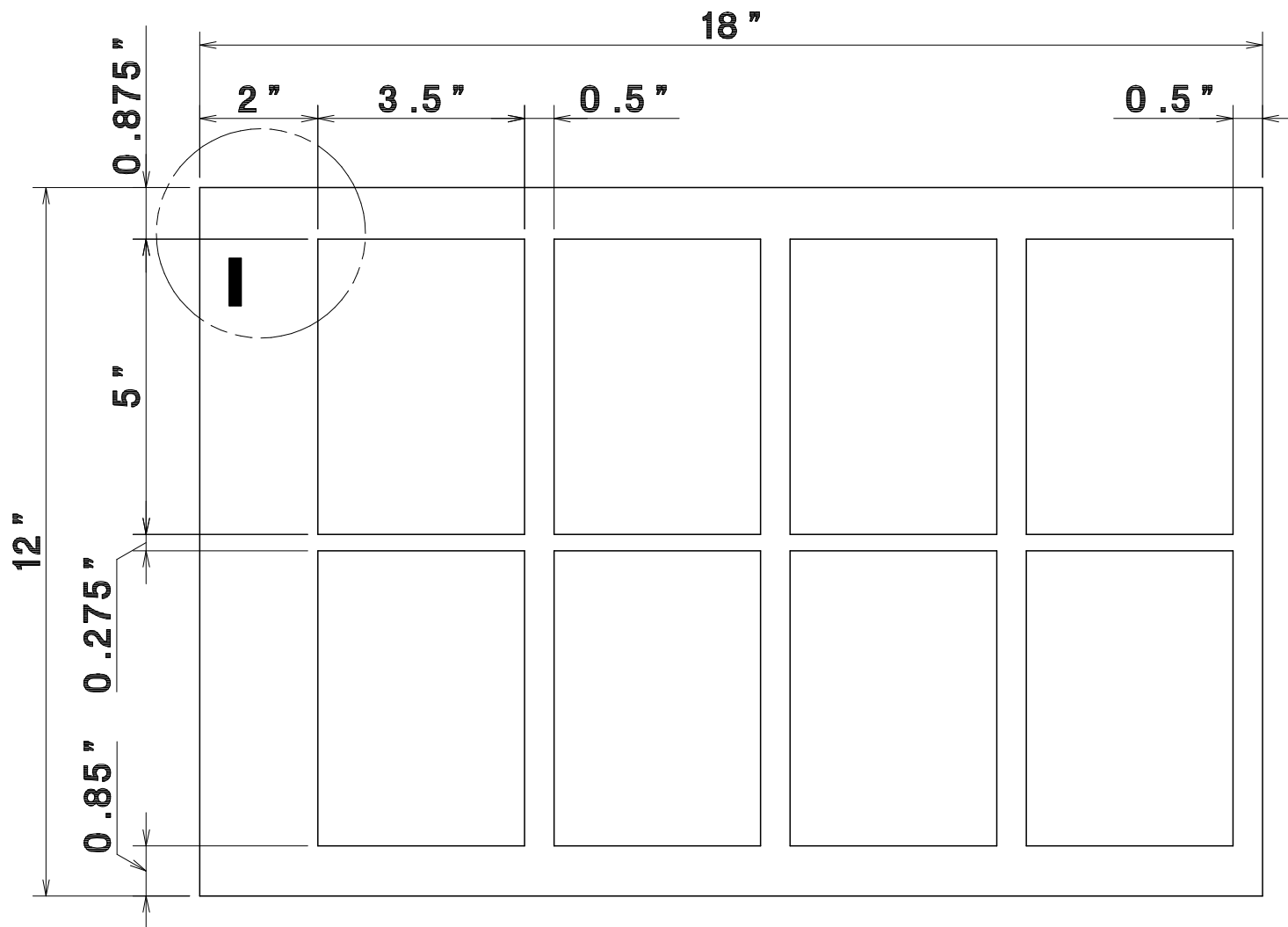
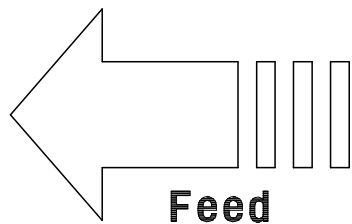
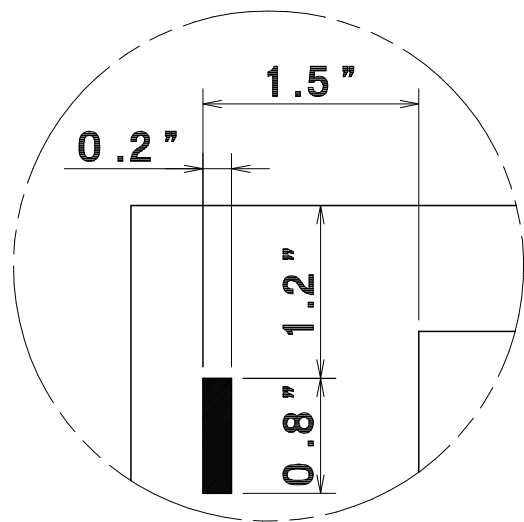


# AeroCut

## PRESET TEMPLATE

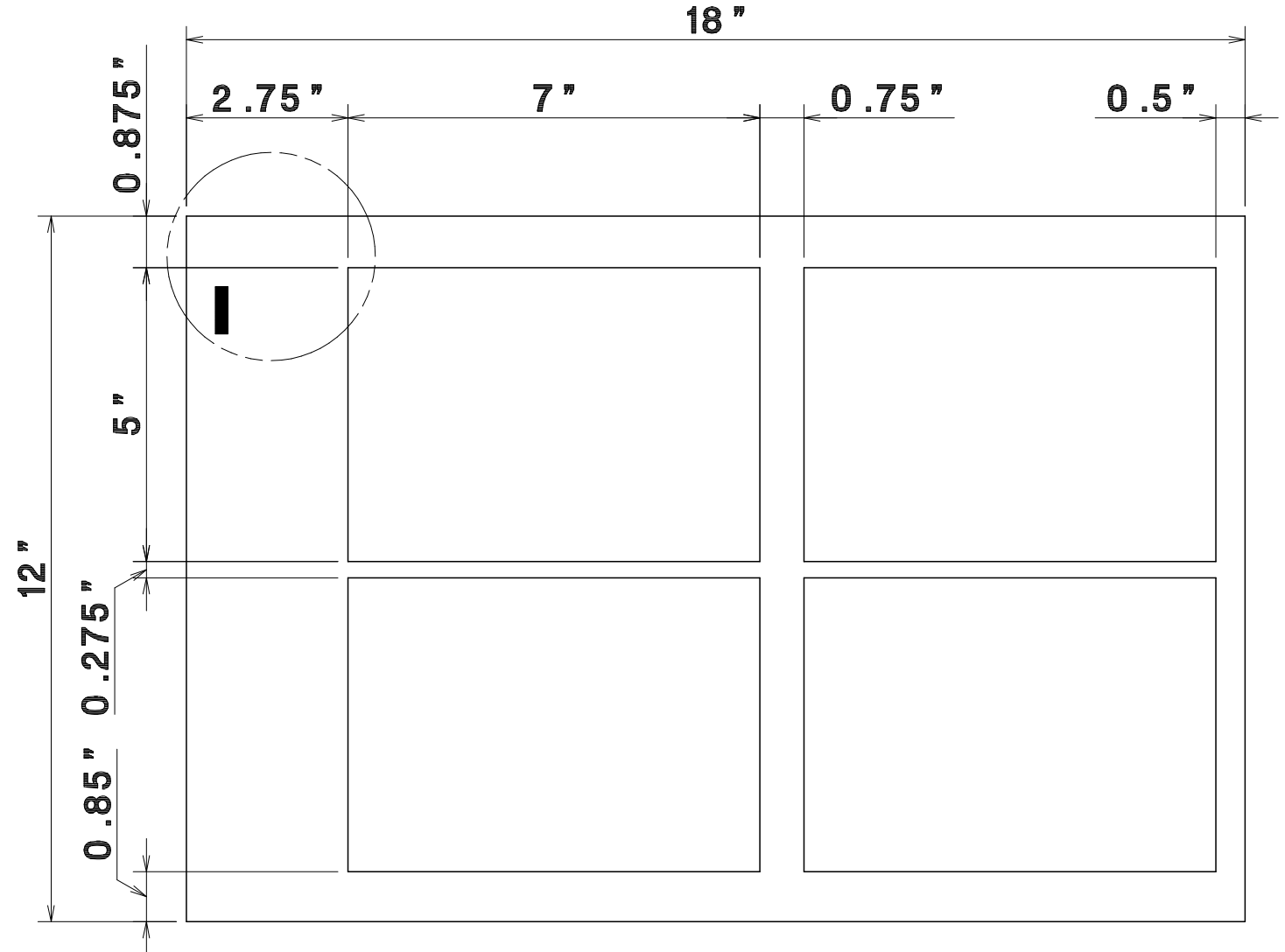
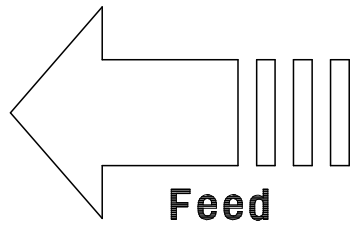
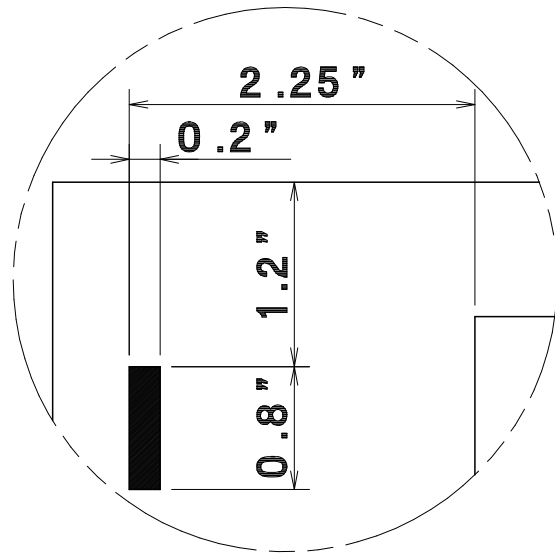
ARCH-B  
12"x18"

→ 3.5"x5"



# *AeroCut* PRESET TEMPLATE

ARCH-B  
12"x18" → 5"x7"



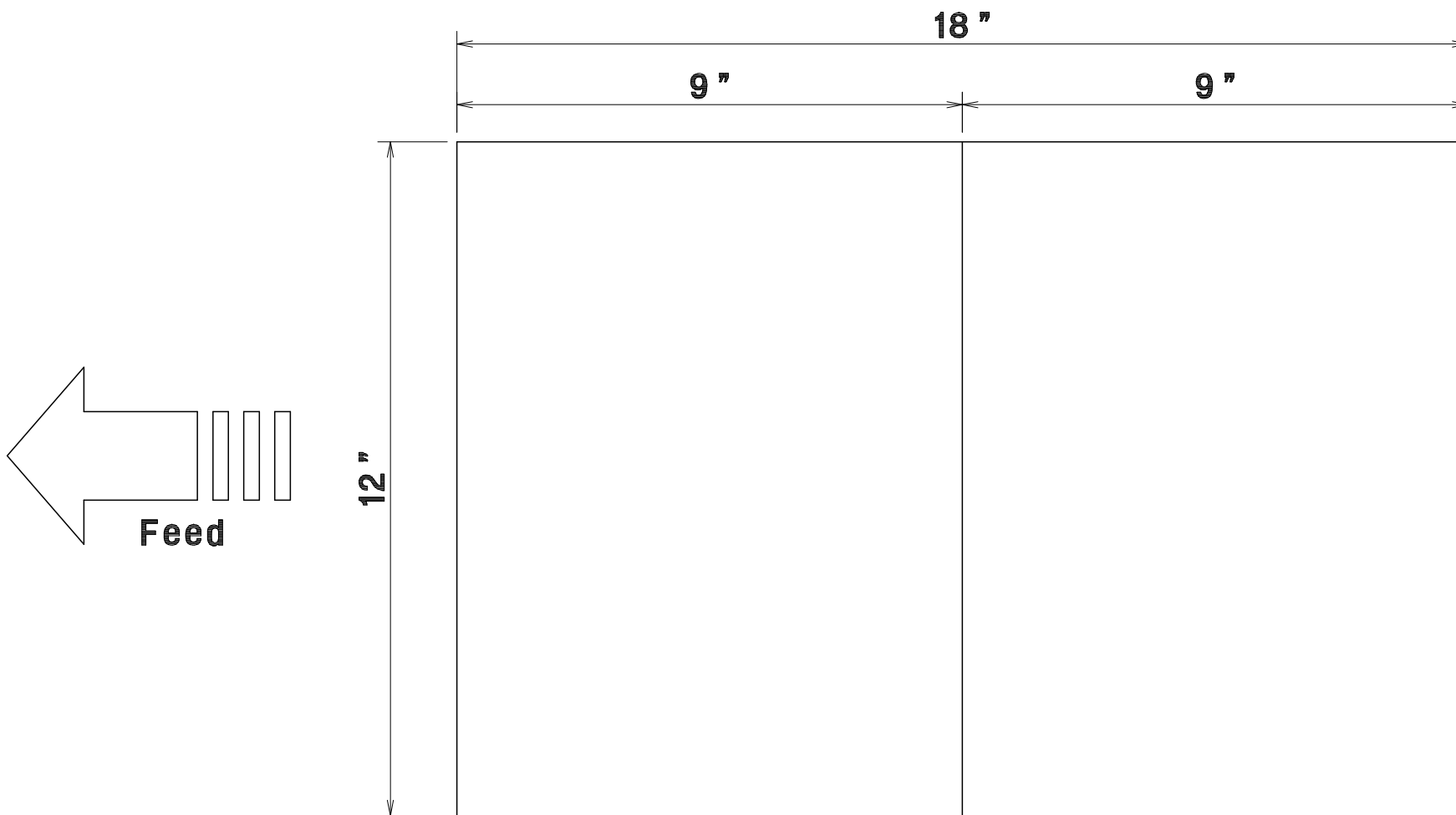
*AeroCut*

**PRESET TEMPLATE**

**ARCH-B  
12"x18"**



**/2**



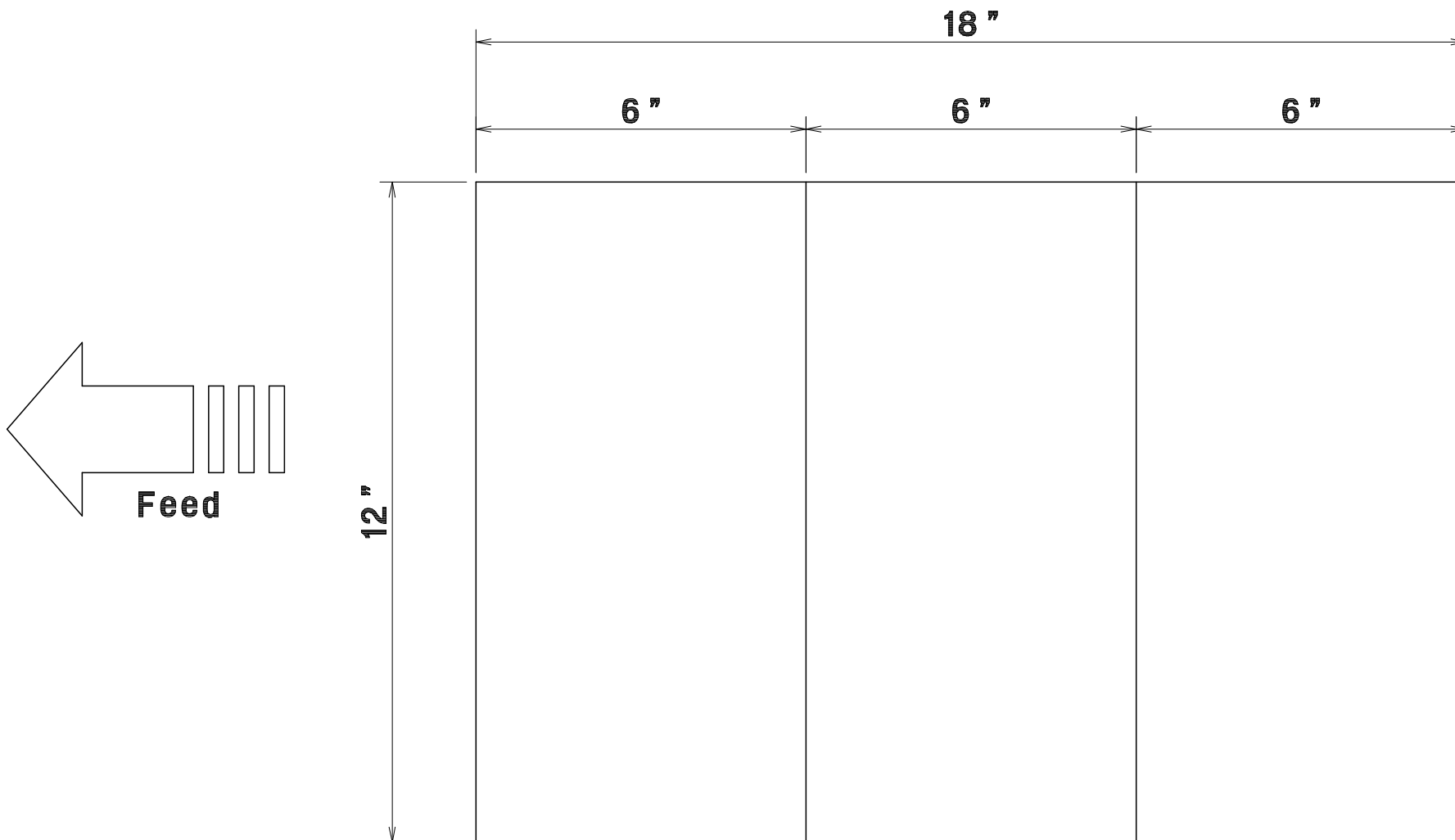
*AeroCut*

**PRESET TEMPLATE**

**ARCH-B  
12"x18"**



**/3**



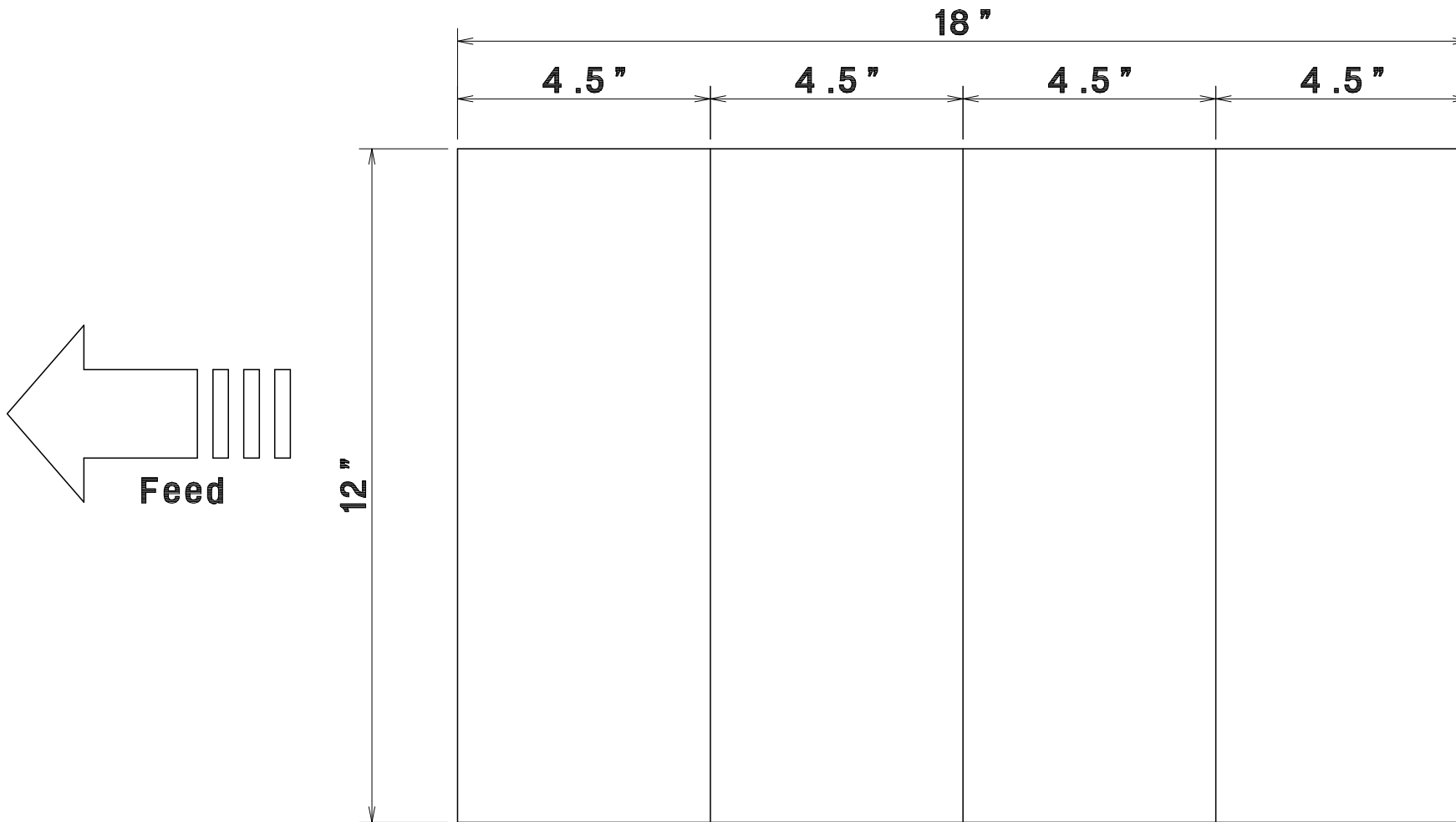
*AeroCut*

**PRESET TEMPLATE**

**ARCH-B  
12"x18"**



**/4**



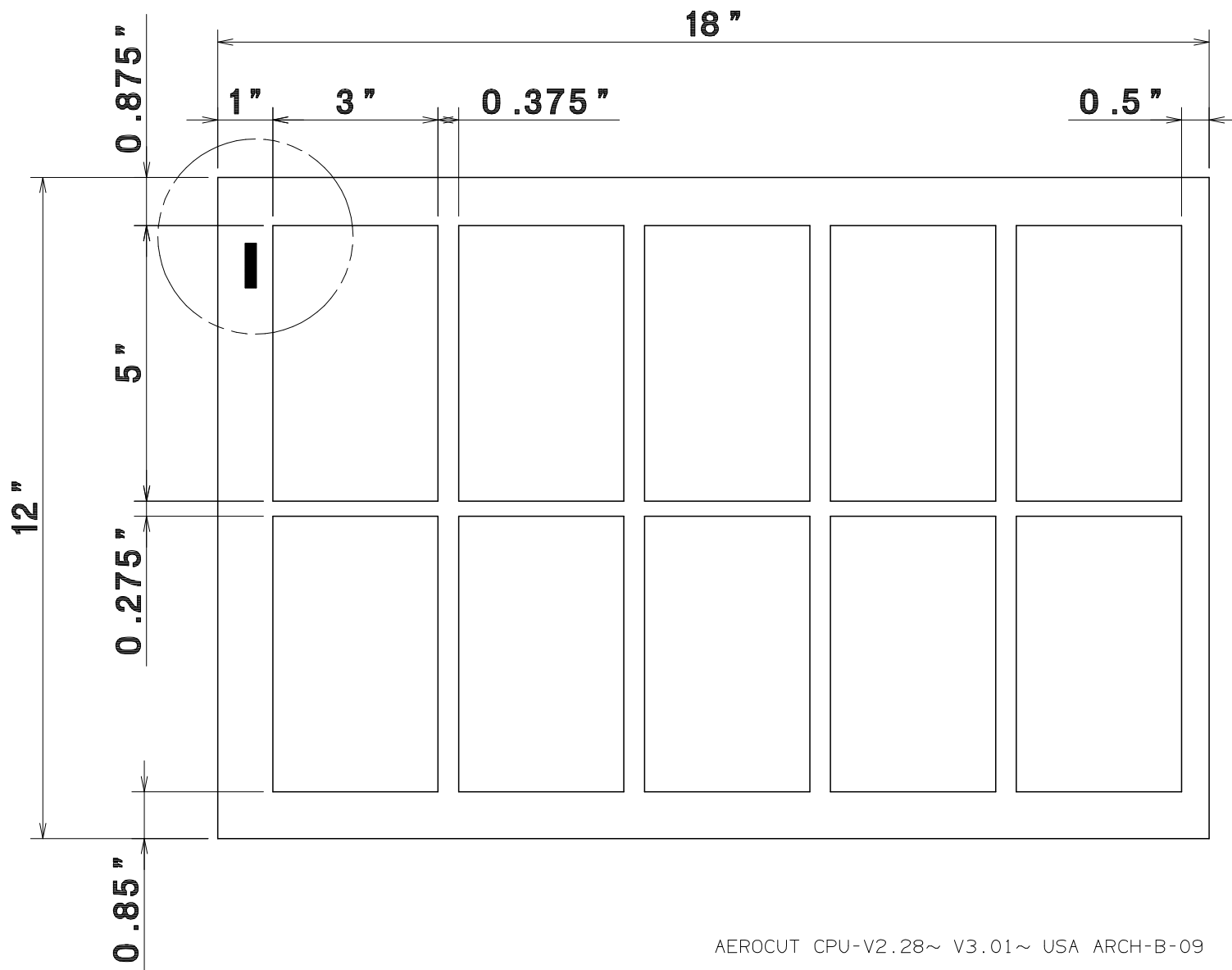
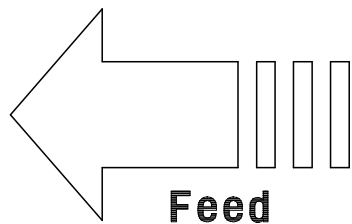
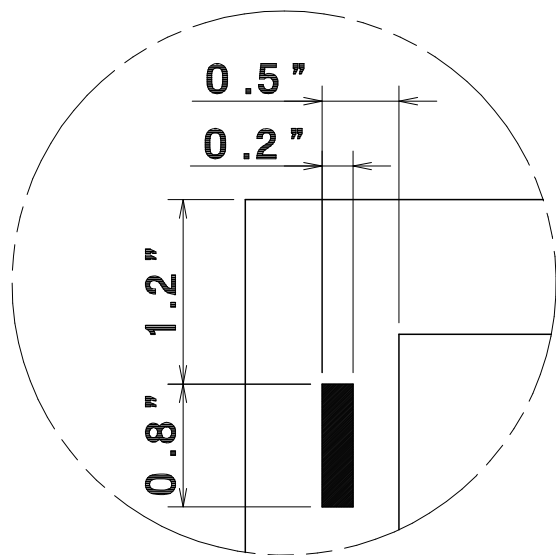


# AeroCut

## PRESET TEMPLATE

ARCH-B  
12"x18"

→ 3"x5"  
POST CARD

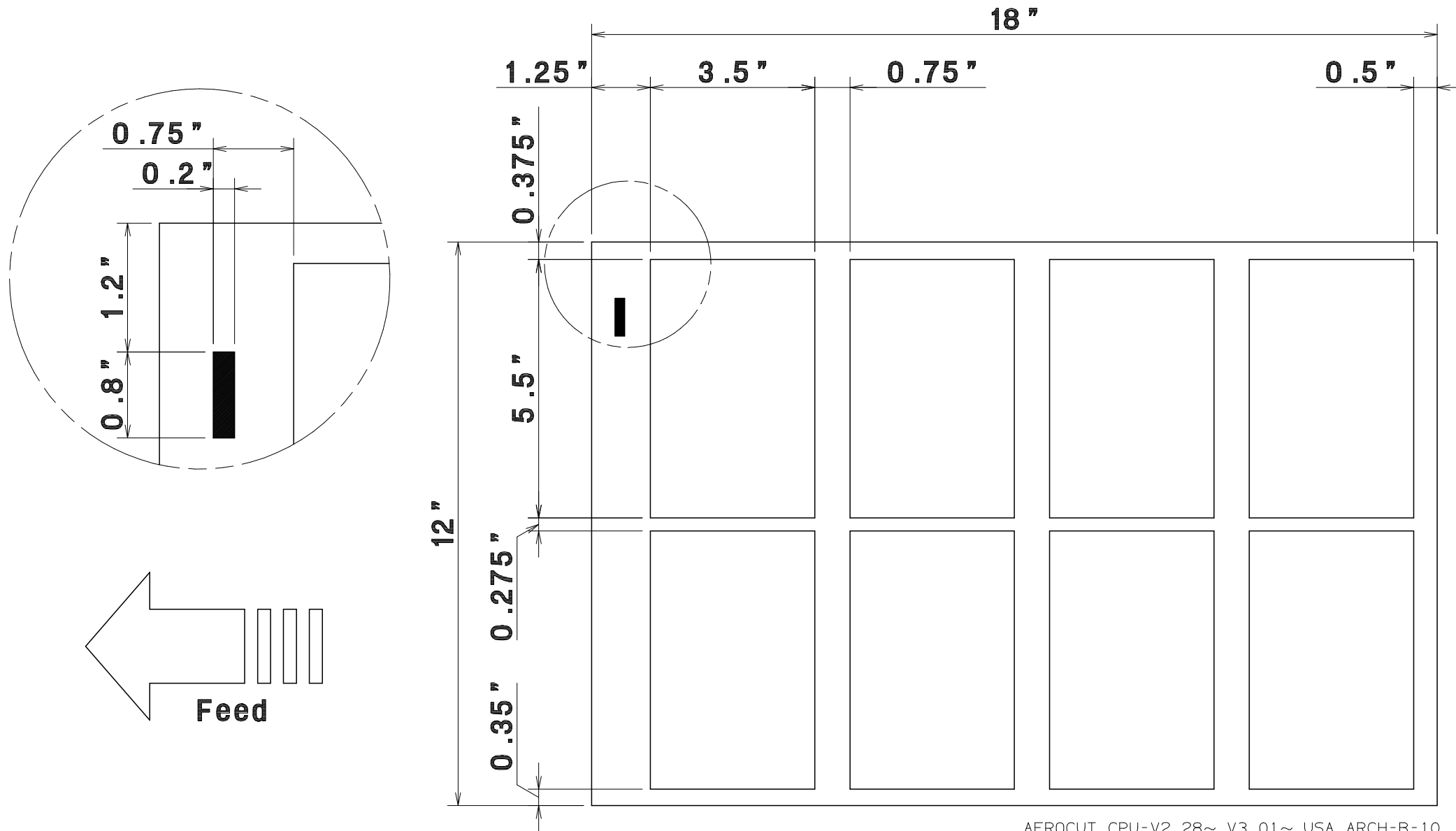


# AeroCut

## PRESET TEMPLATE

ARCH-B  
12"x18"

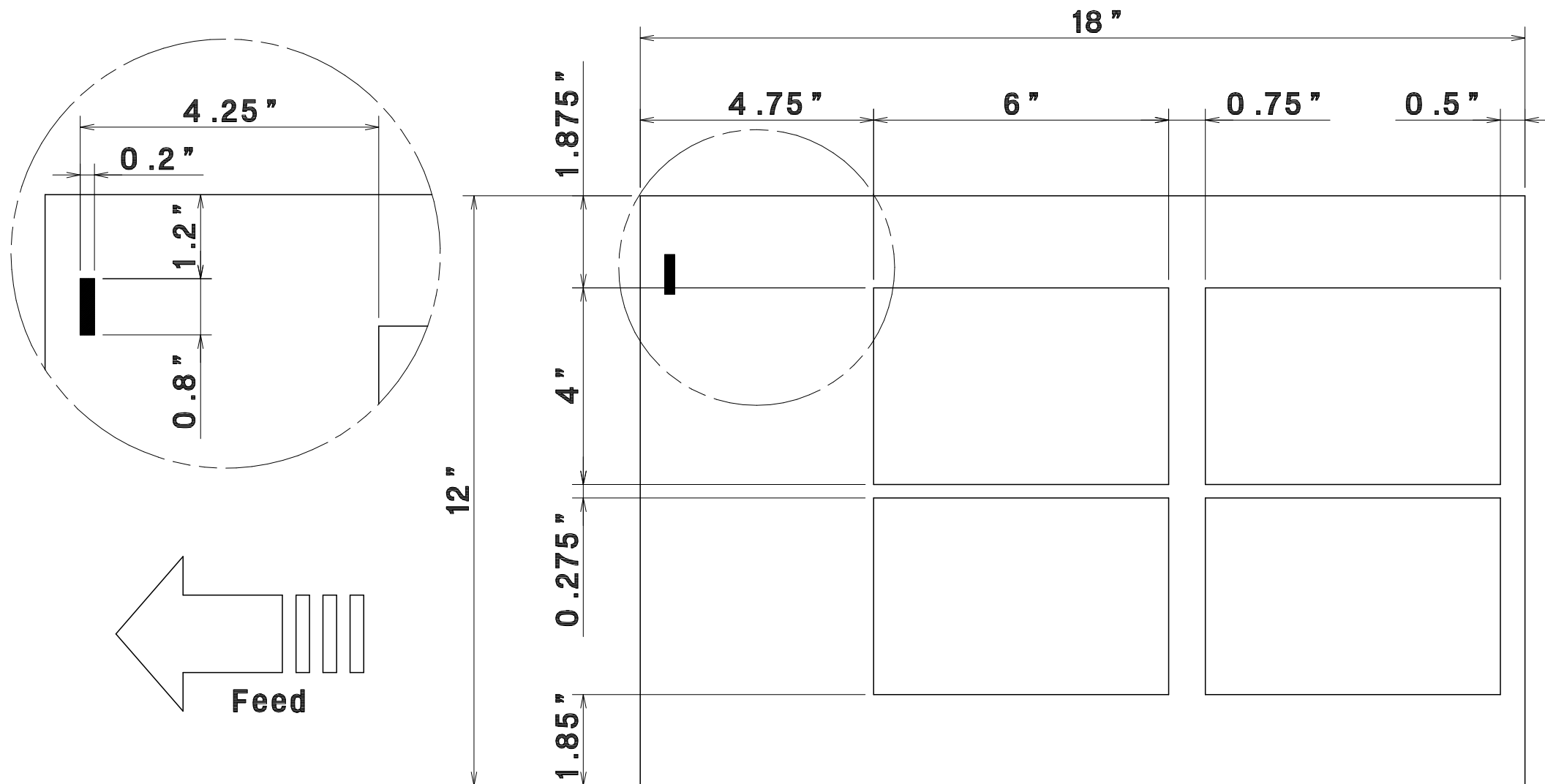
→ 3.5"x5.5"  
POST CARD



# *AeroCut* PRESET TEMPLATE

ARCH-B  
12"x18"

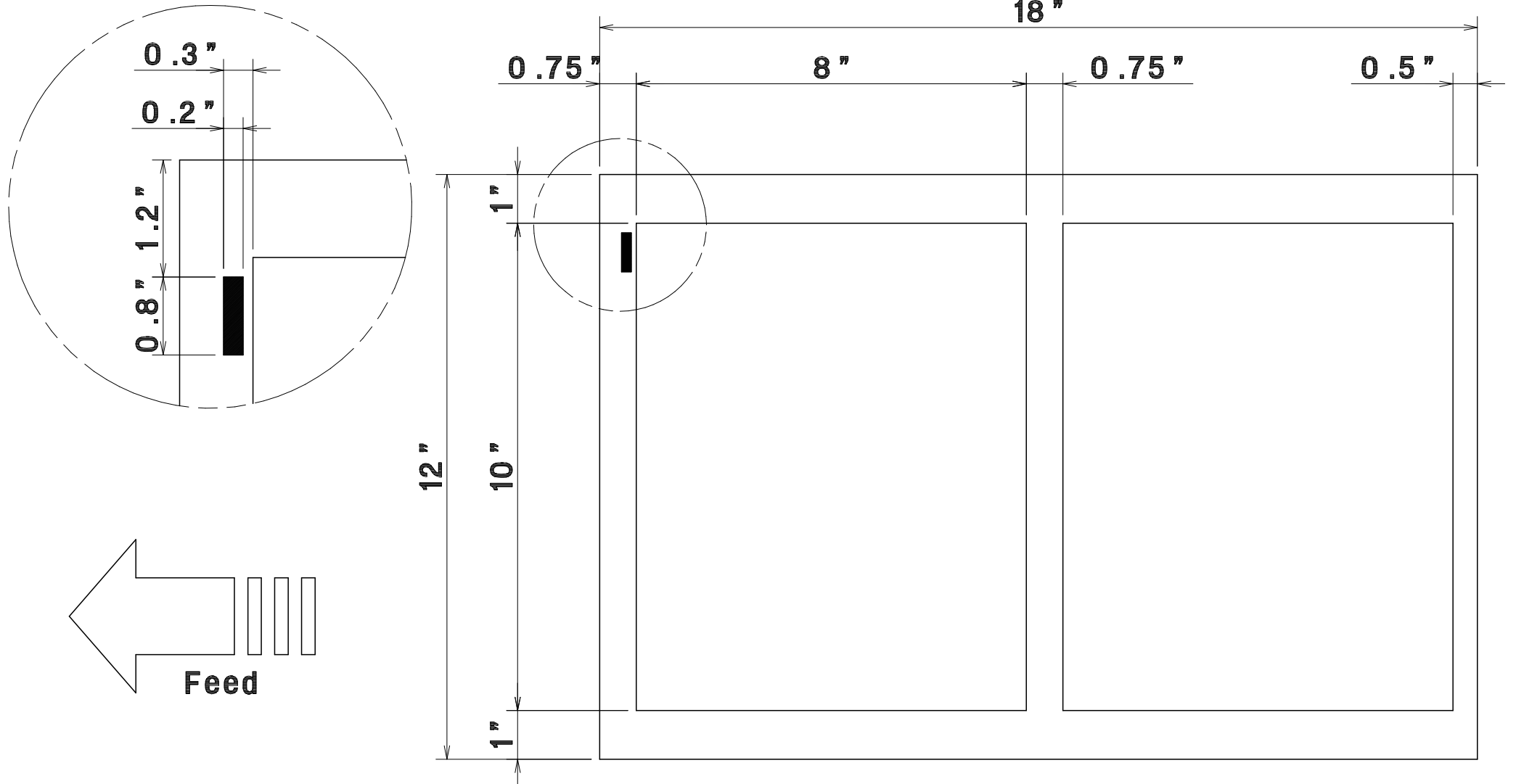
→ 4"x6"  
POST CARD



# *AeroCut* PRESET TEMPLATE

ARCH-B  
12"x18"

→ 8"x10"  
POST CARD

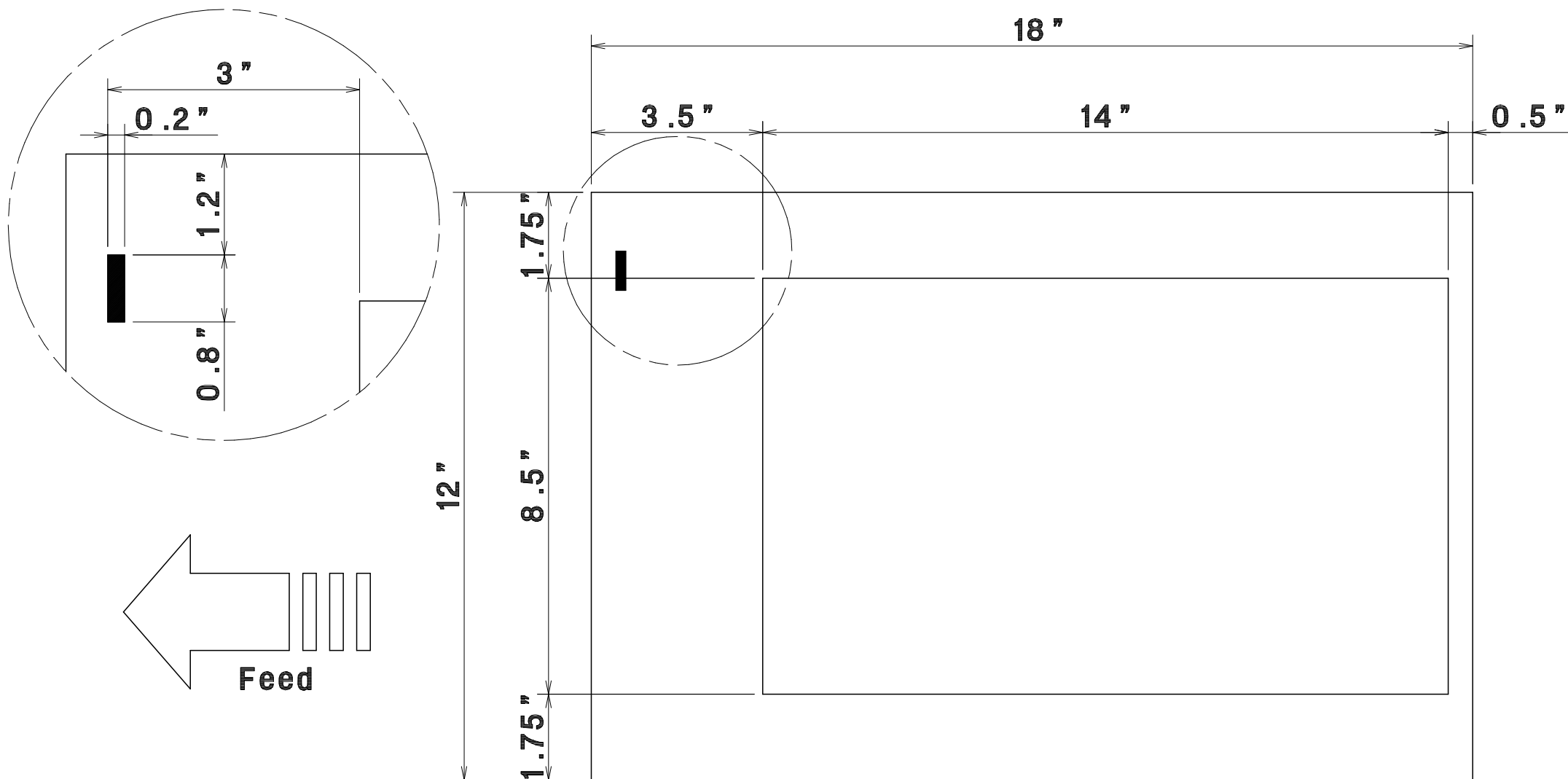


# *AeroCut* PRESET TEMPLATE

ARCH-B  
12"x18"



8.5"x14"  
LEGAL

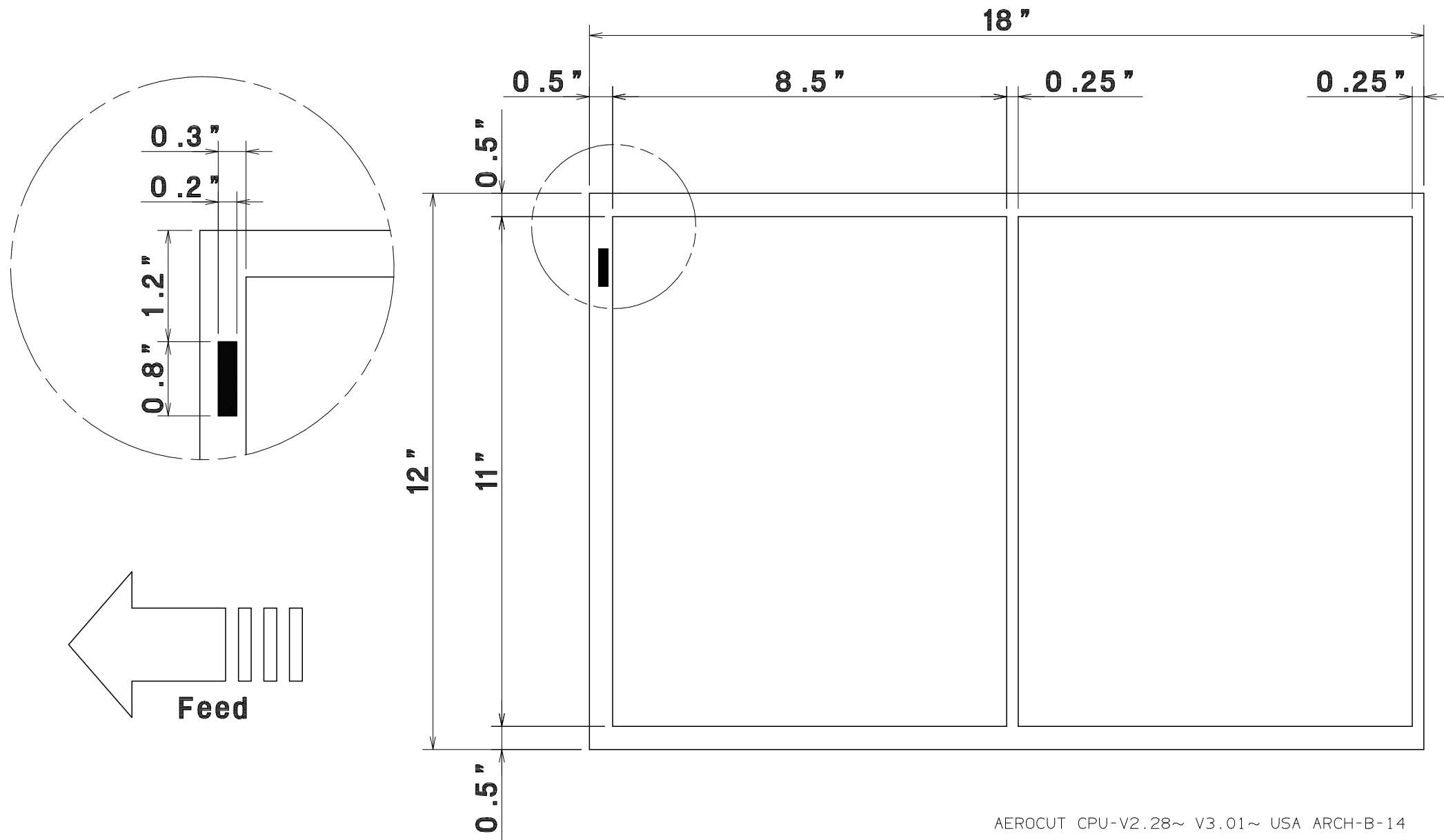


# *AeroCut* PRESET TEMPLATE

ARCH-B  
12"x18"



8.5"x11"  
LETTER

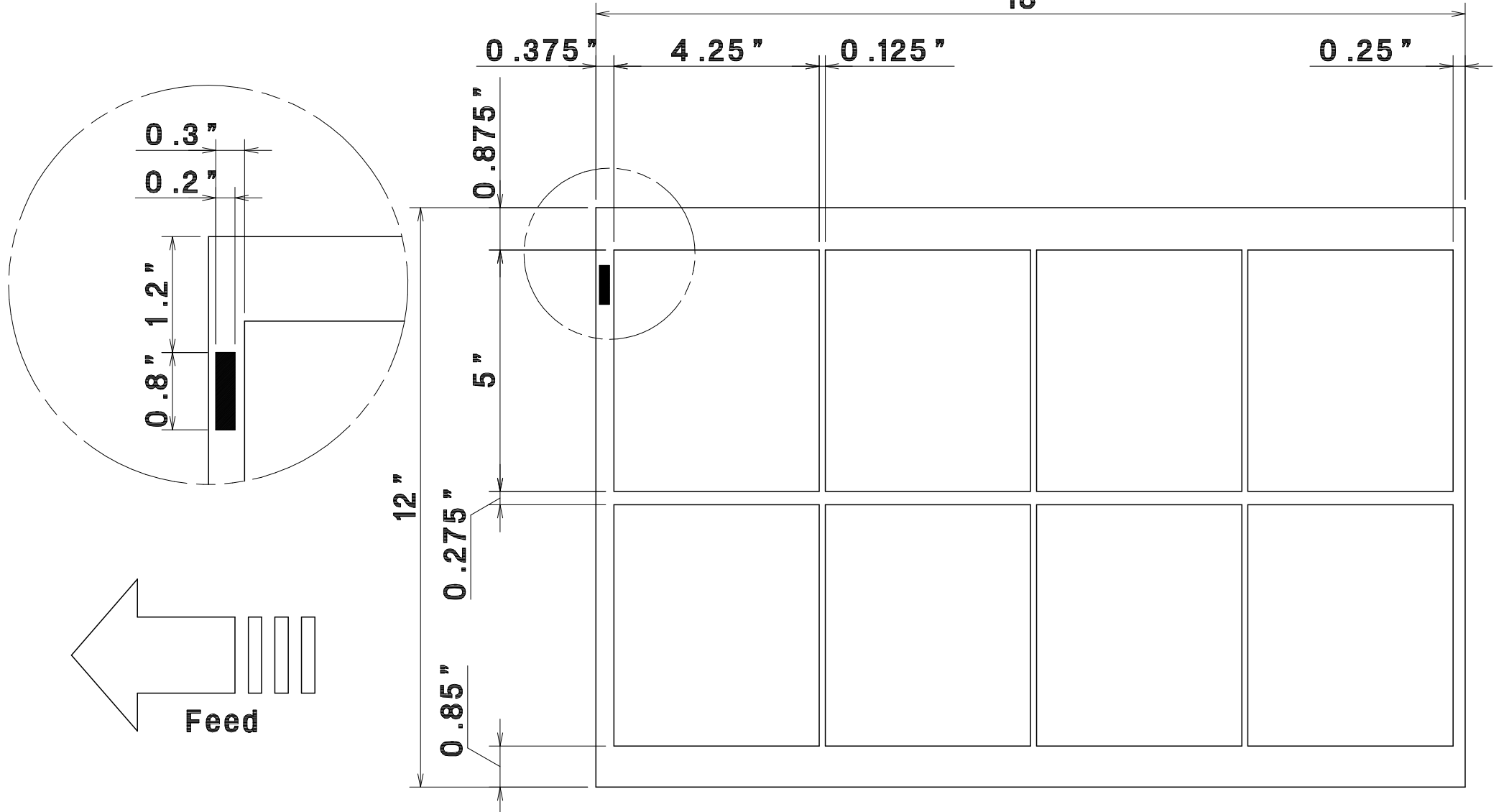


# *AeroCut* PRESET TEMPLATE

ARCH-B  
12"x18"

→ 4.25"x5"

18"

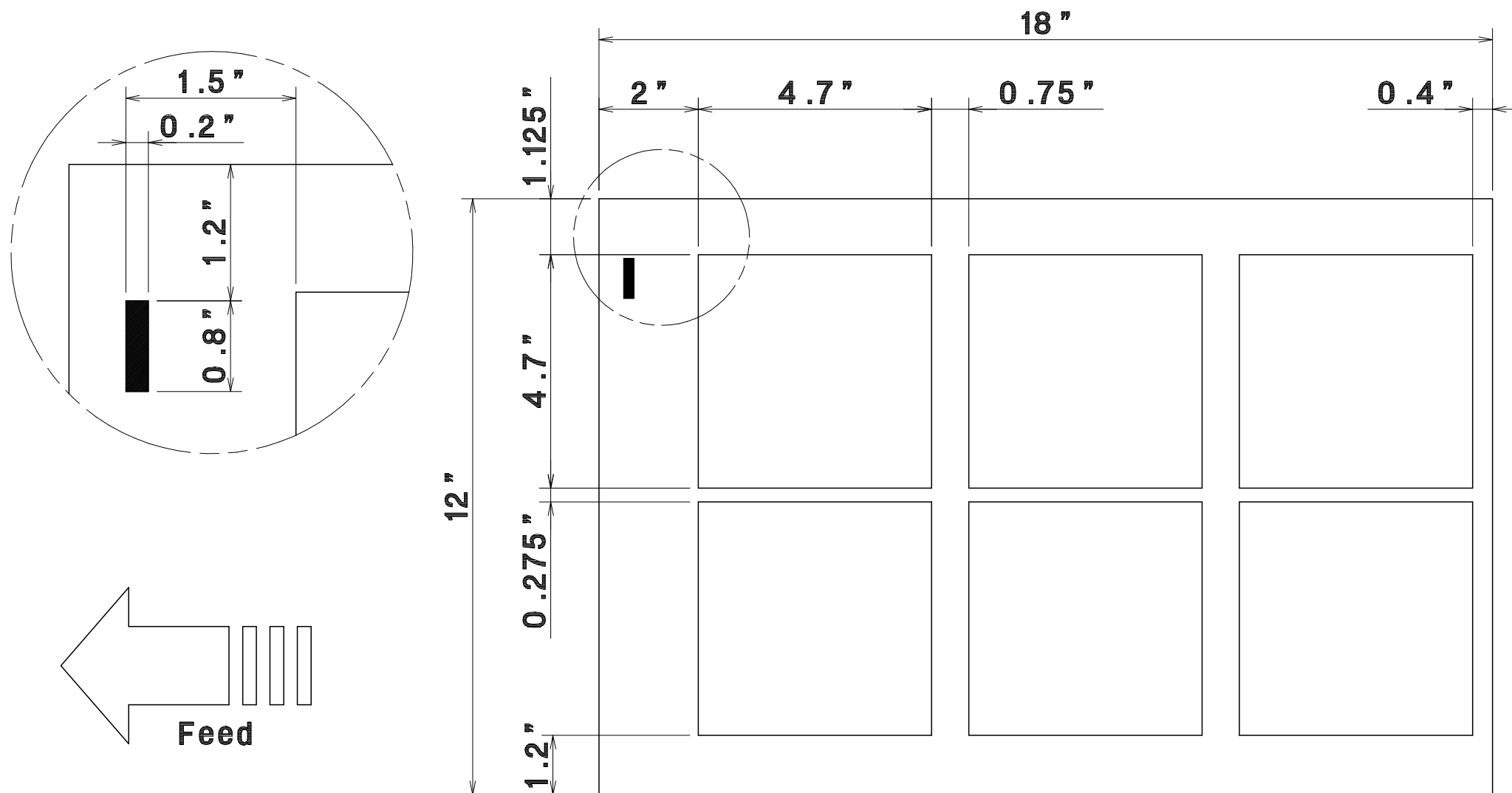


# AeroCut

## PRESET TEMPLATE

ARCH-B  
12"x18"

→ CD JCKET





# *AeroCut* PRESET TEMPLATE

ARCH-B  
12"x18"

→ CD JACKET  
(CREASE)

