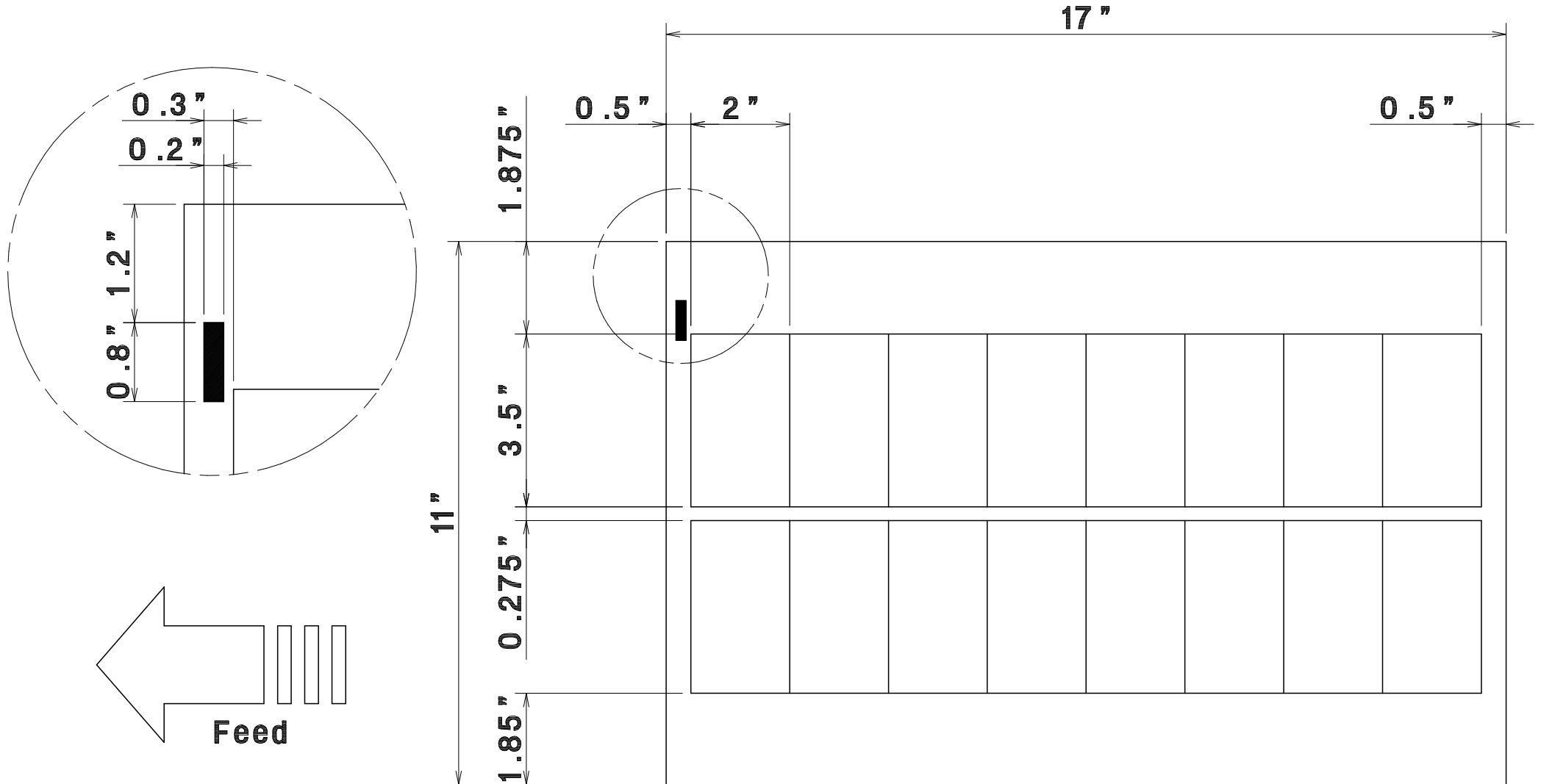


AeroCut

PRESET TEMPLATE

LEDGER
(TABLOID) →
11"x17"

2"x3.5"
Single cut

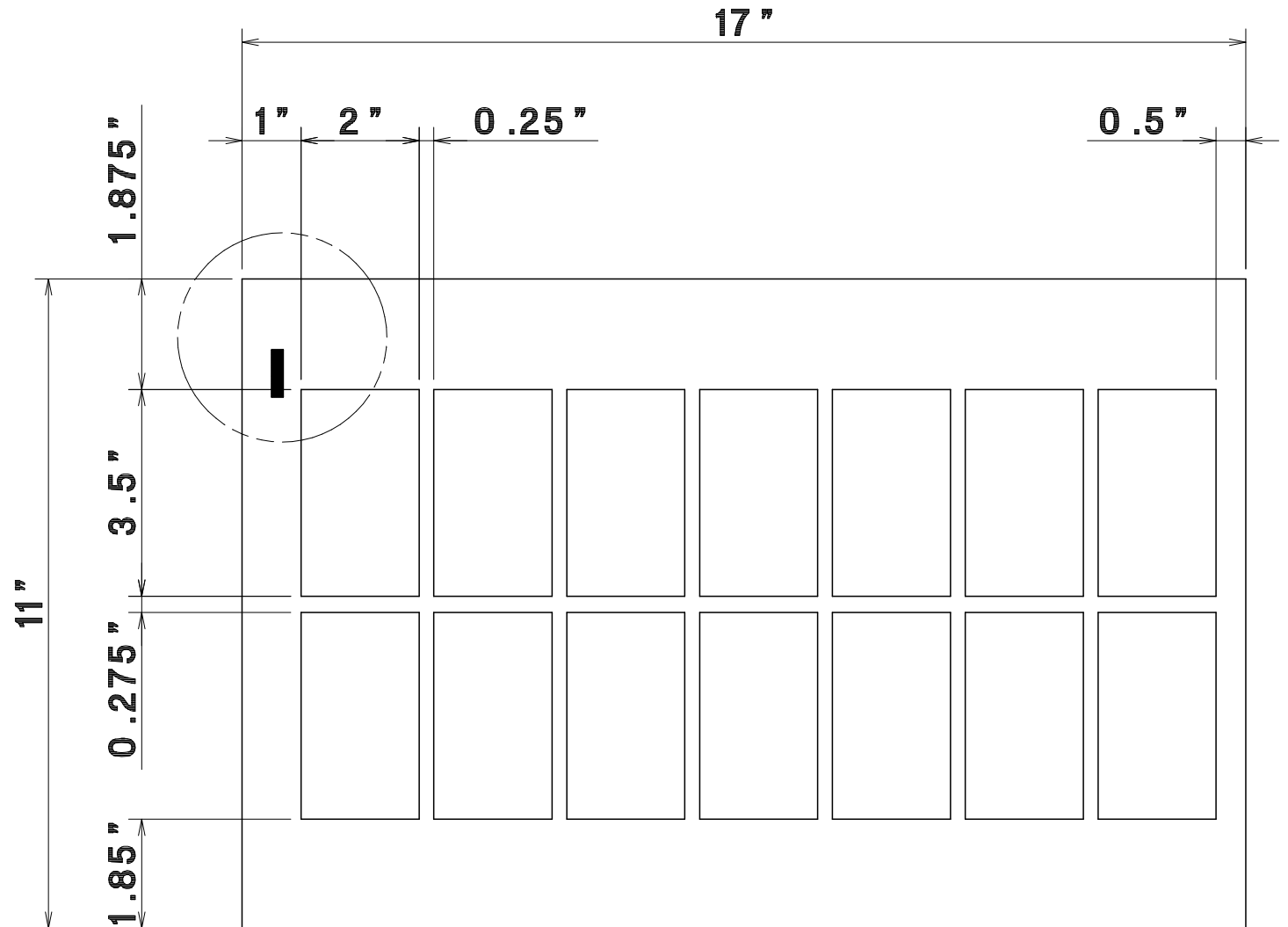
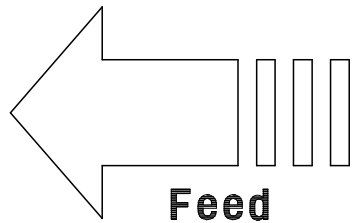
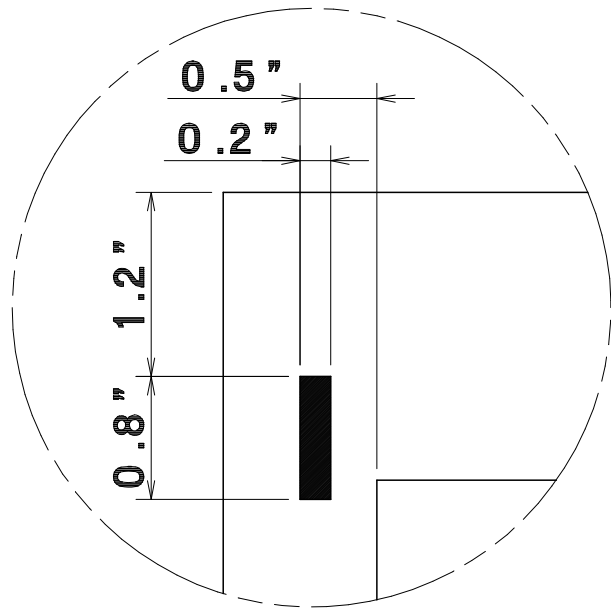


AeroCut

PRESET TEMPLATE

LEDGER
(TABLOID) →
11"x17"

2"x3.5"
Double cut

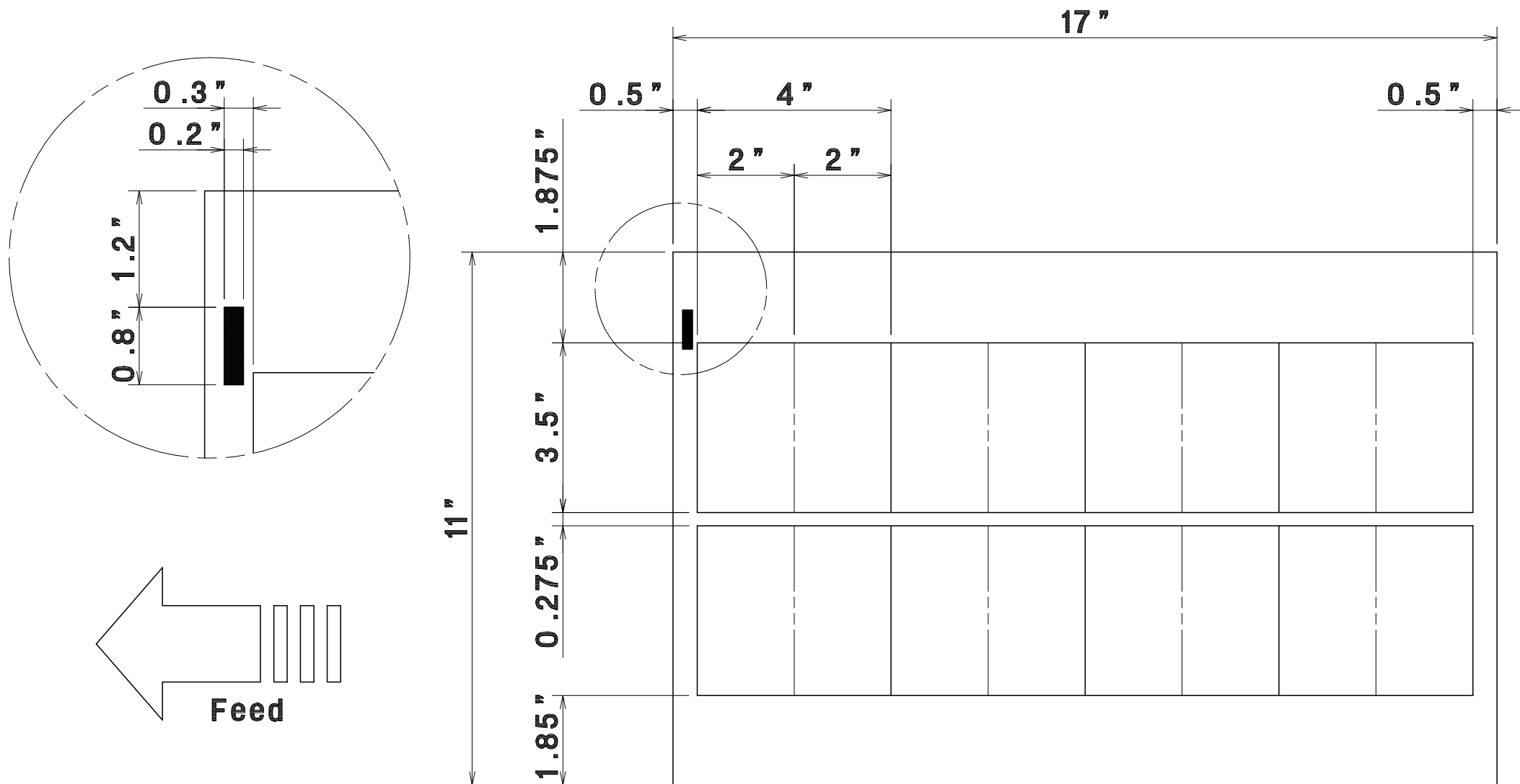


AeroCut

PRESET TEMPLATE

LEDGER
(TABLOID)
11"x17"

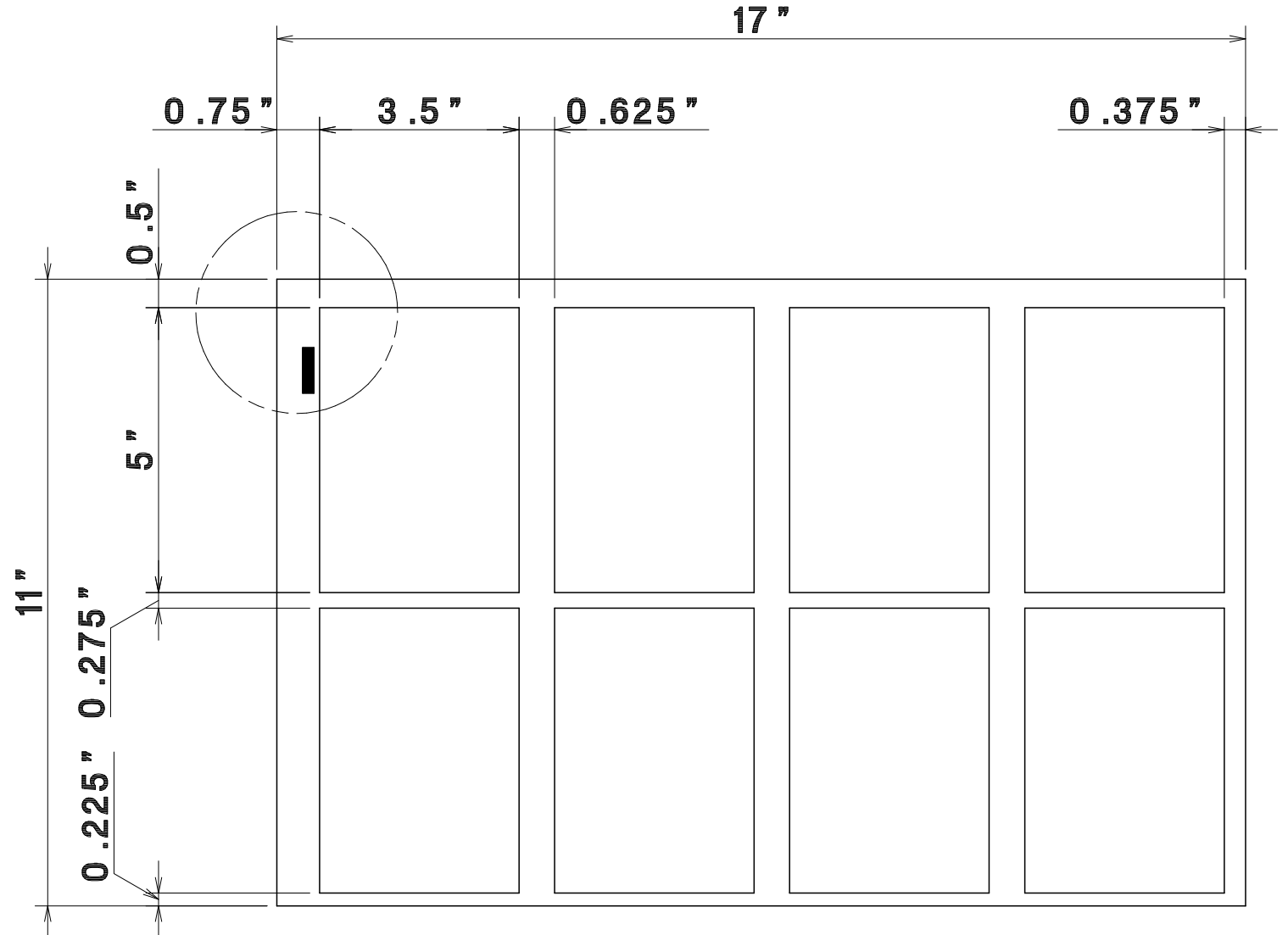
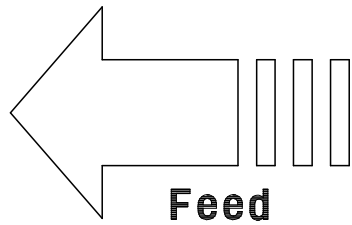
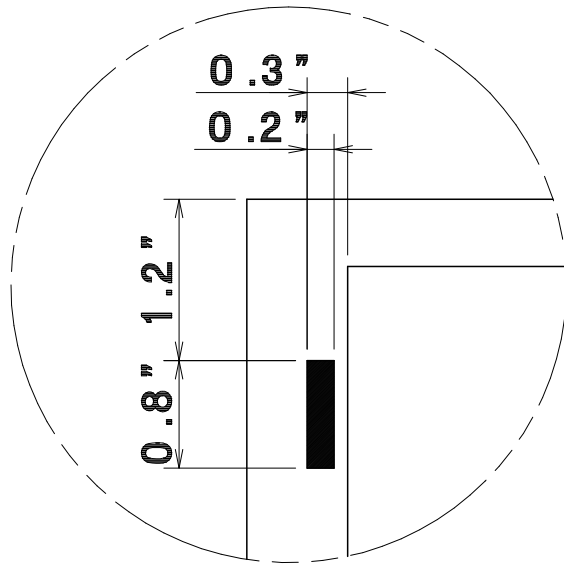
→ 3.5"x4"
Center crease



AeroCut

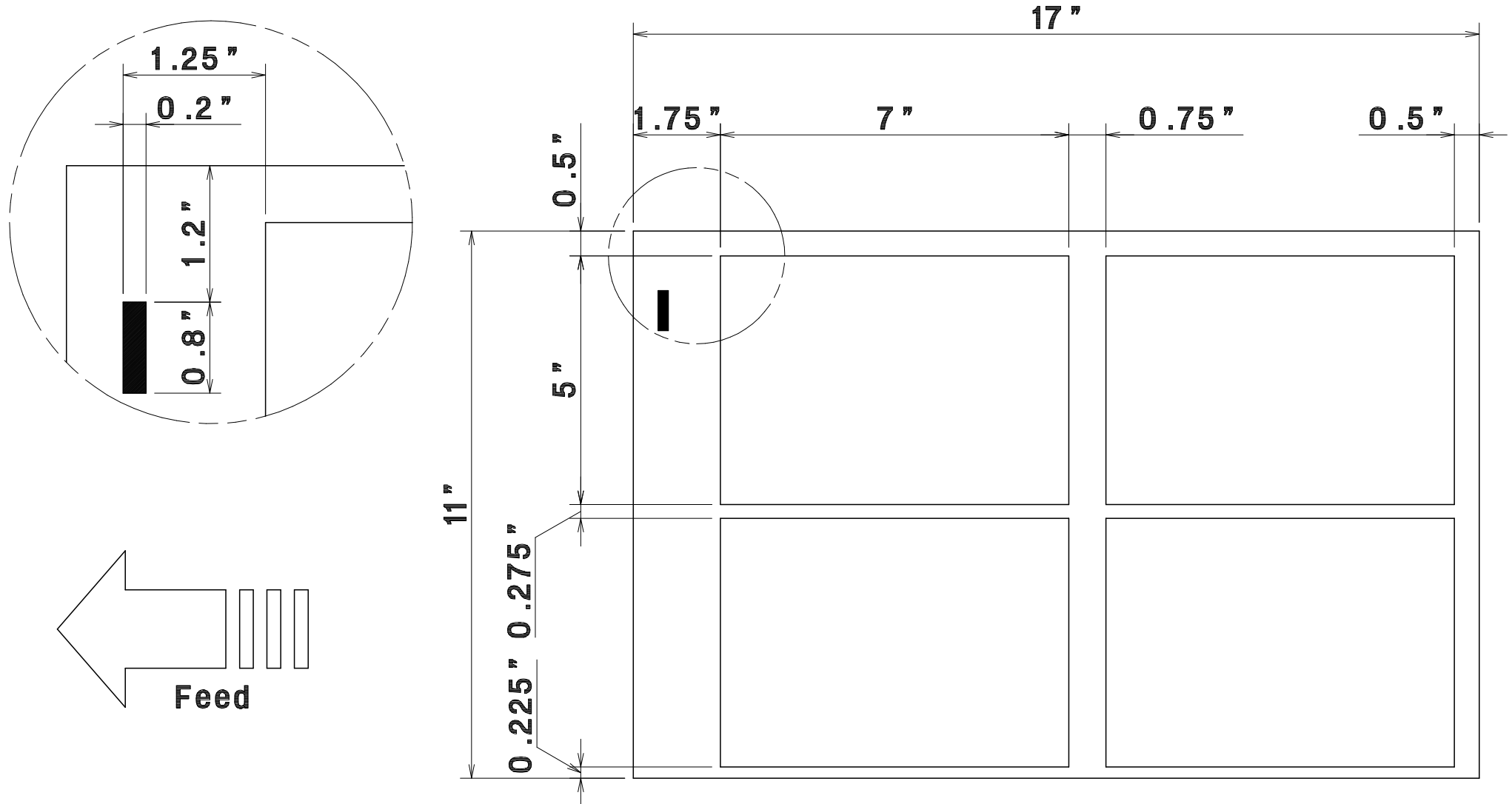
PRESET TEMPLATE

LEDGER
(TABLOID) → 3.5"x5"
11"x17"



AeroCut PRESET TEMPLATE

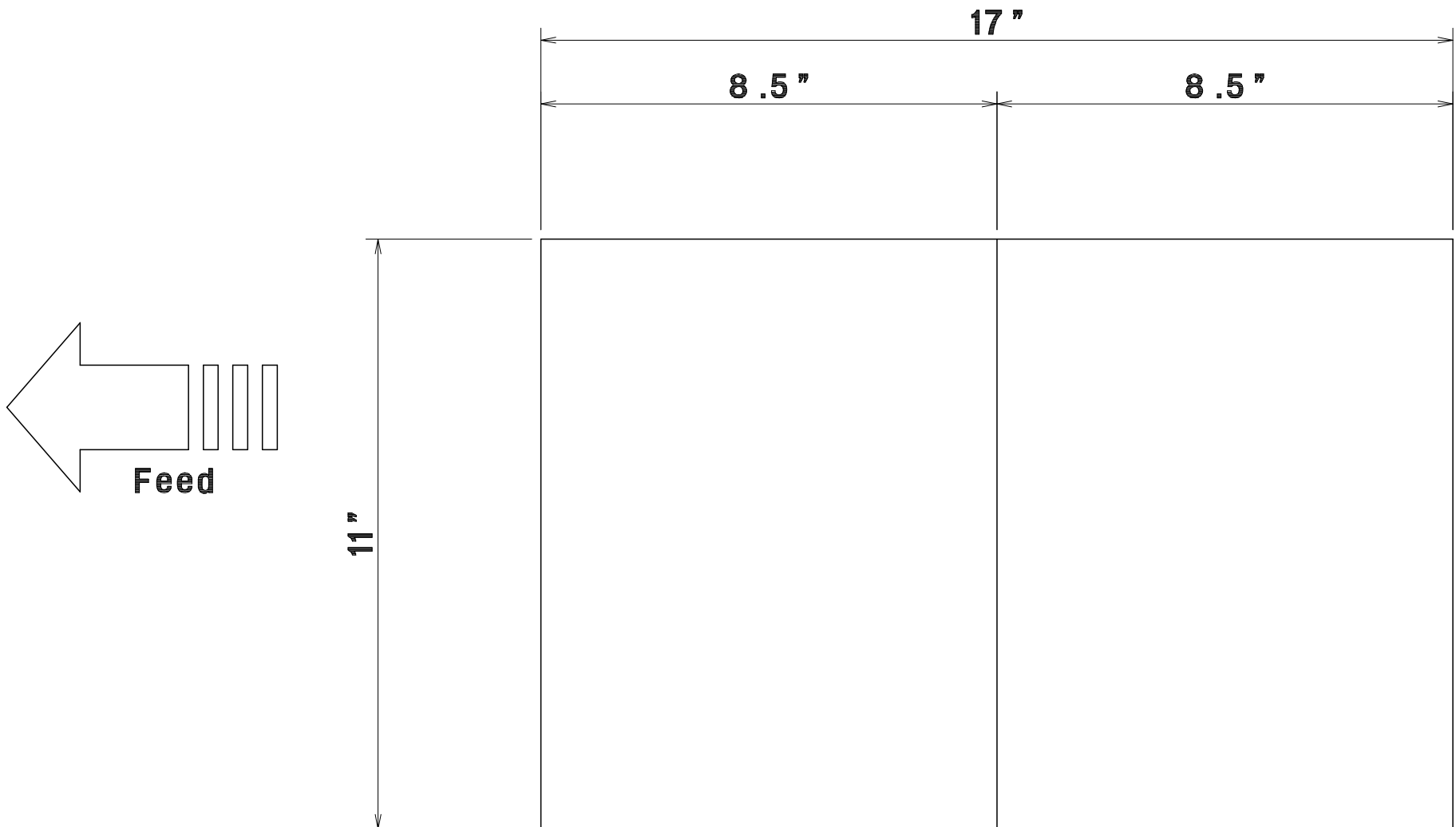
LEDGER
(TABLOID) → 5"x7"
11"x17"



AeroCut

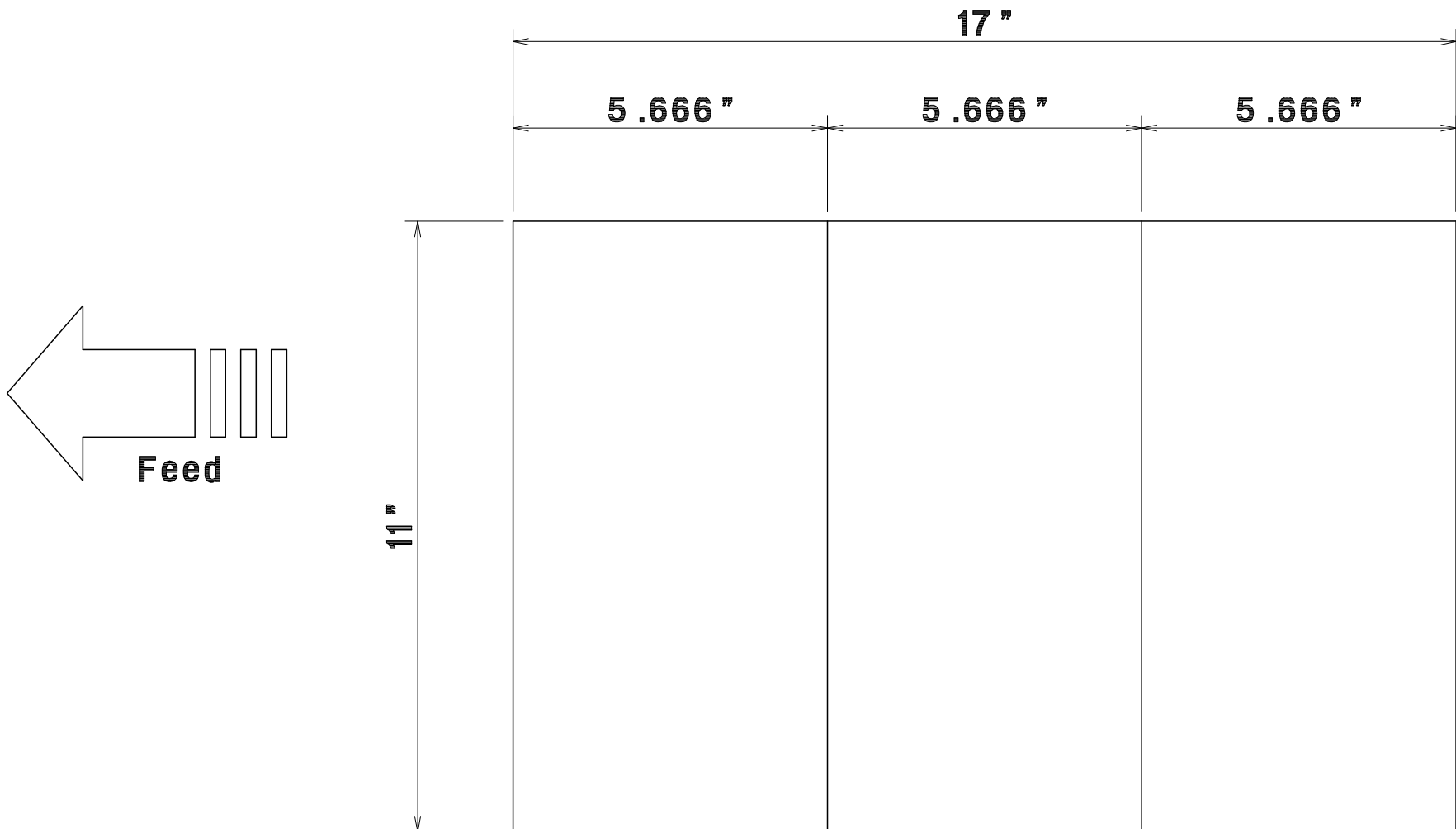
PRESET TEMPLATE

**LEDGER
(TABLOID) → /2
11"x17"**



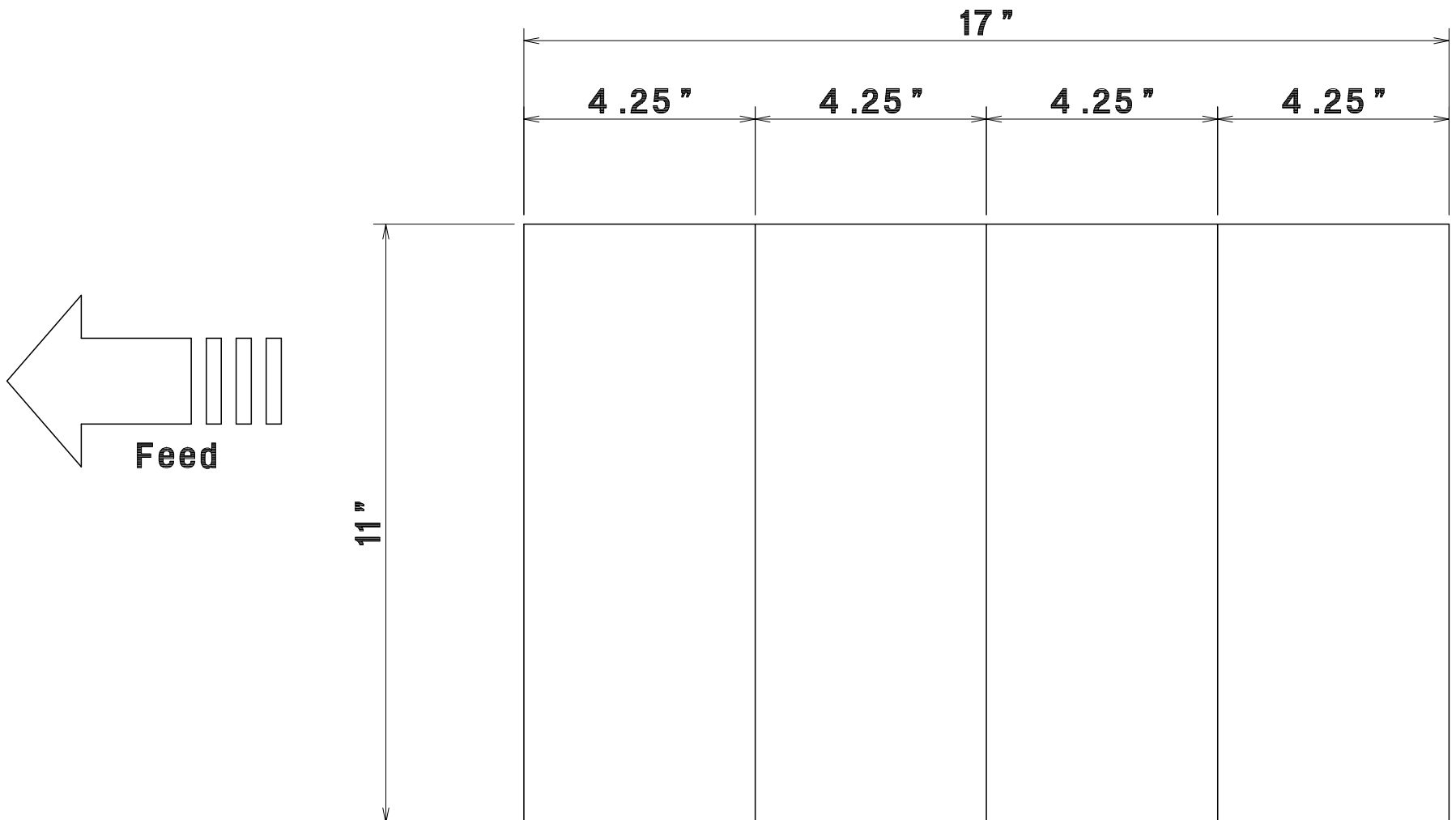
AeroCut PRESET TEMPLATE

LEDGER
(TABLOID) → /3
11"x17"



AeroCut PRESET TEMPLATE

LEDGER
(TABLOID) → /4
11"x17"

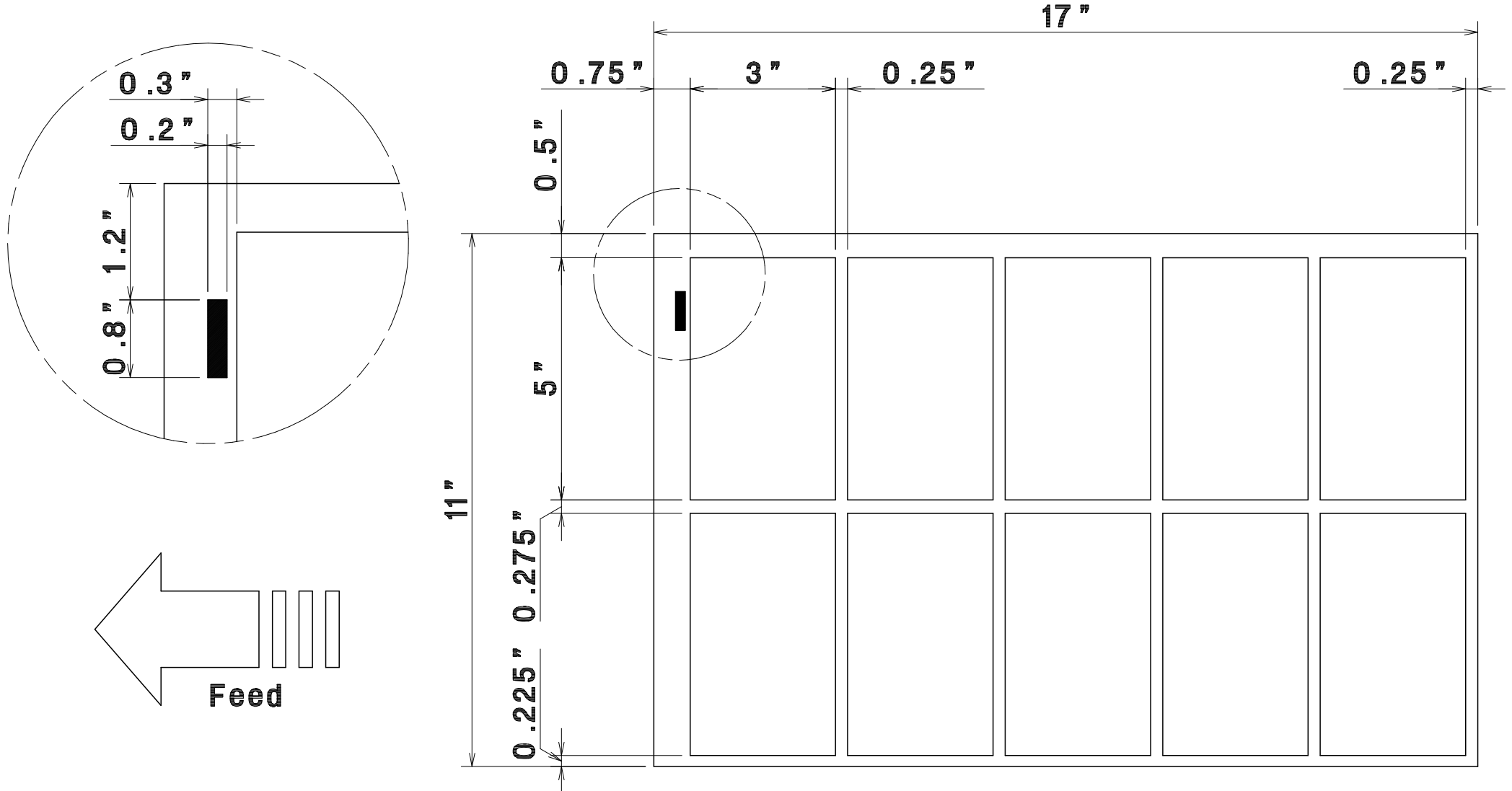


AeroCut

PRESET TEMPLATE

LEDGER
(TABLOID)
11"x17"

→ 3"x5"
POST CARD



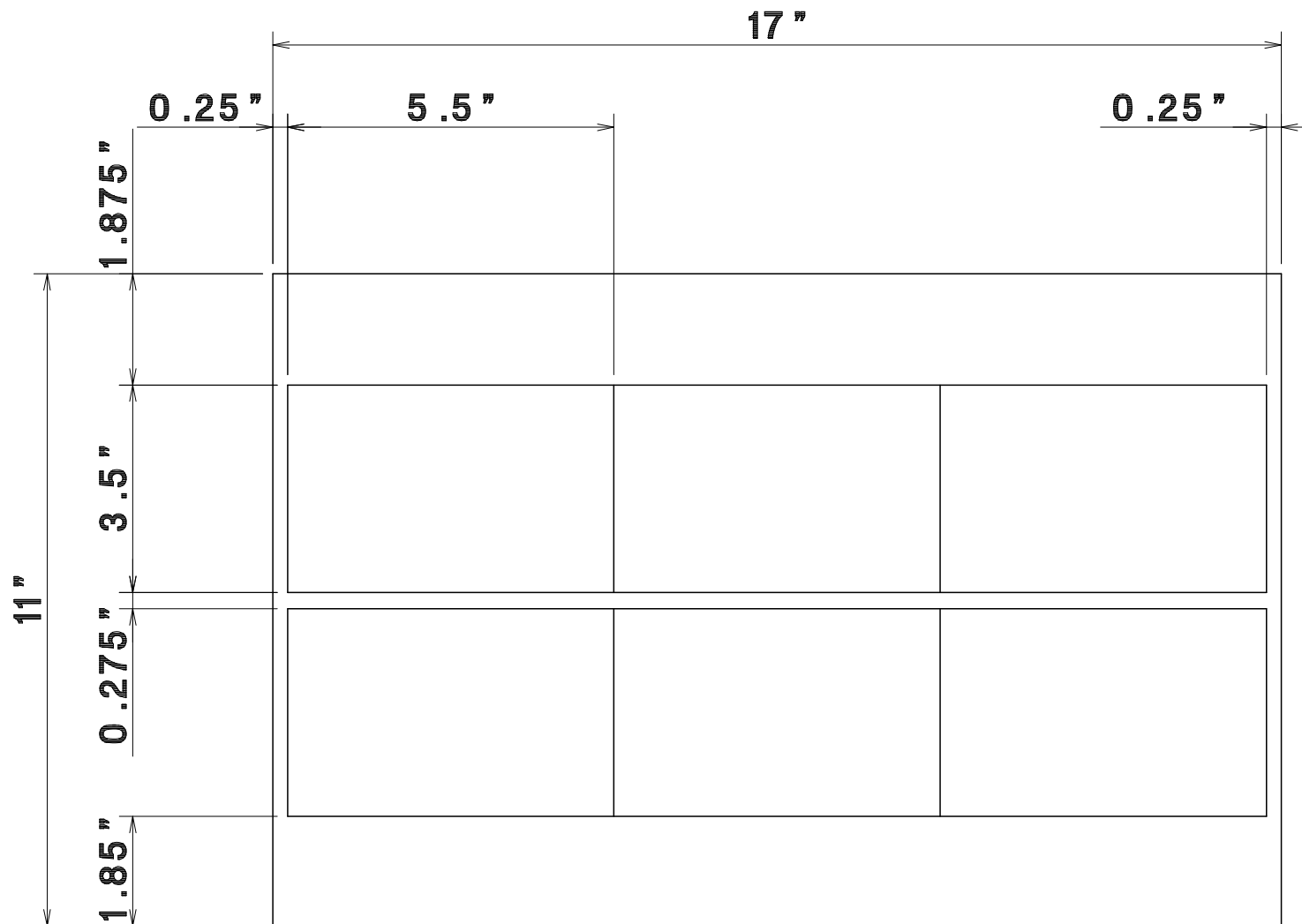
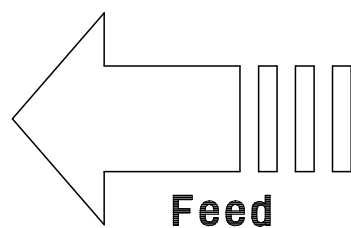
AeroCut

PRESET TEMPLATE

**LEDGER
(TABLOID)
11"x17"**



**3.5"x5.5"
POST CARD**

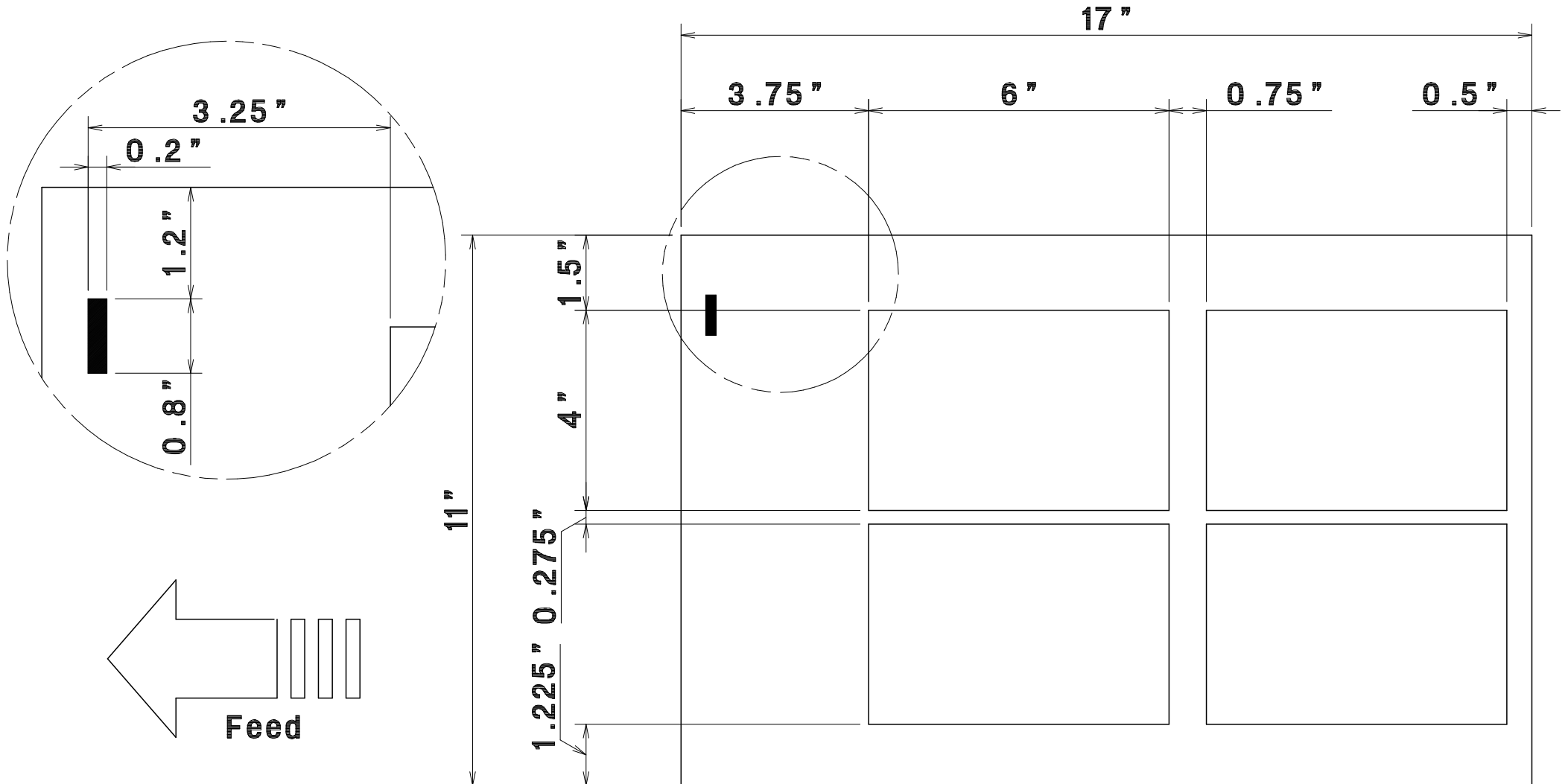


AeroCut

PRESET TEMPLATE

LEDGER
(TABLOID)
11"x17"

→ 4"x6"
POST CARD

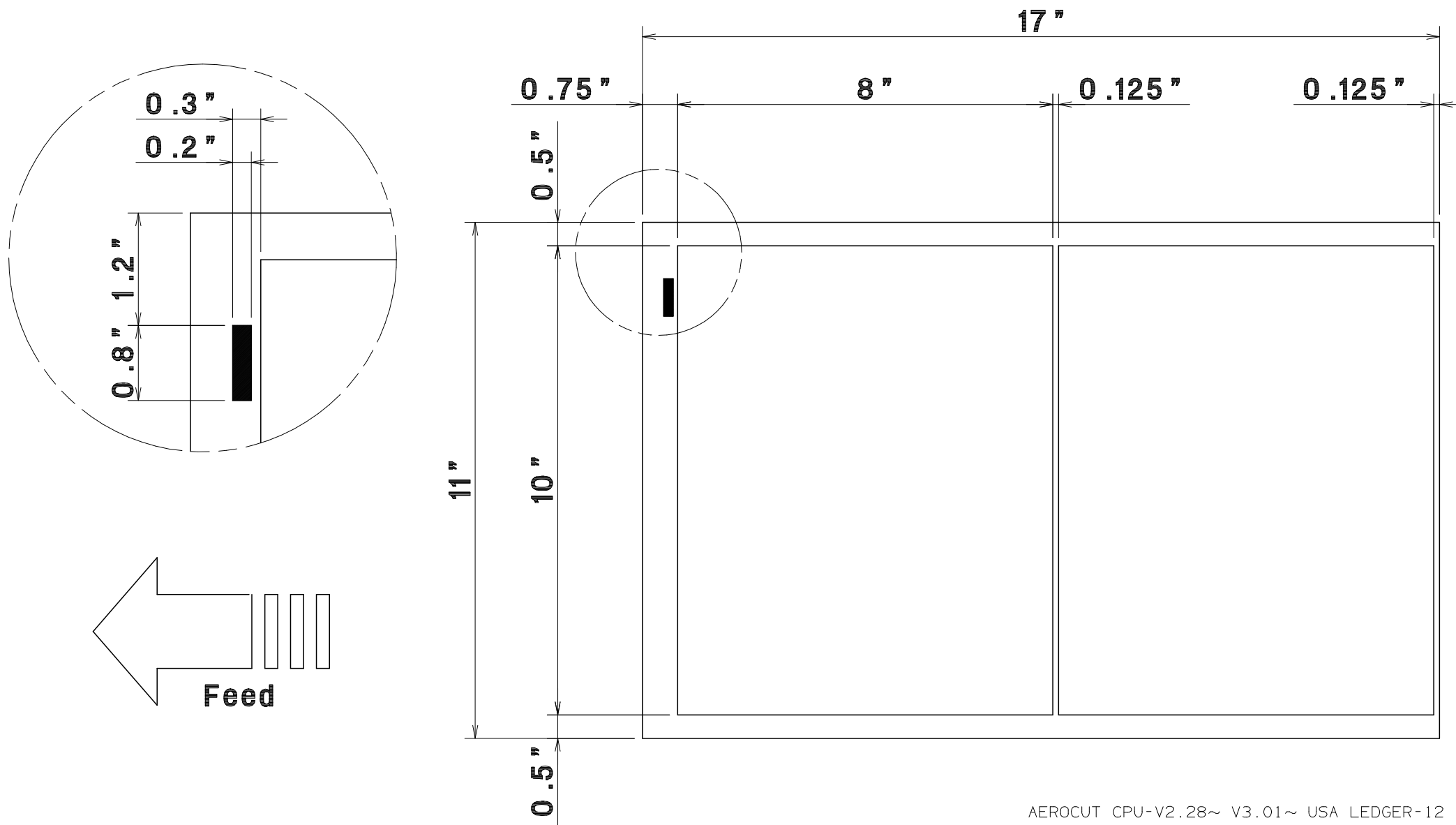


AeroCut

PRESET TEMPLATE

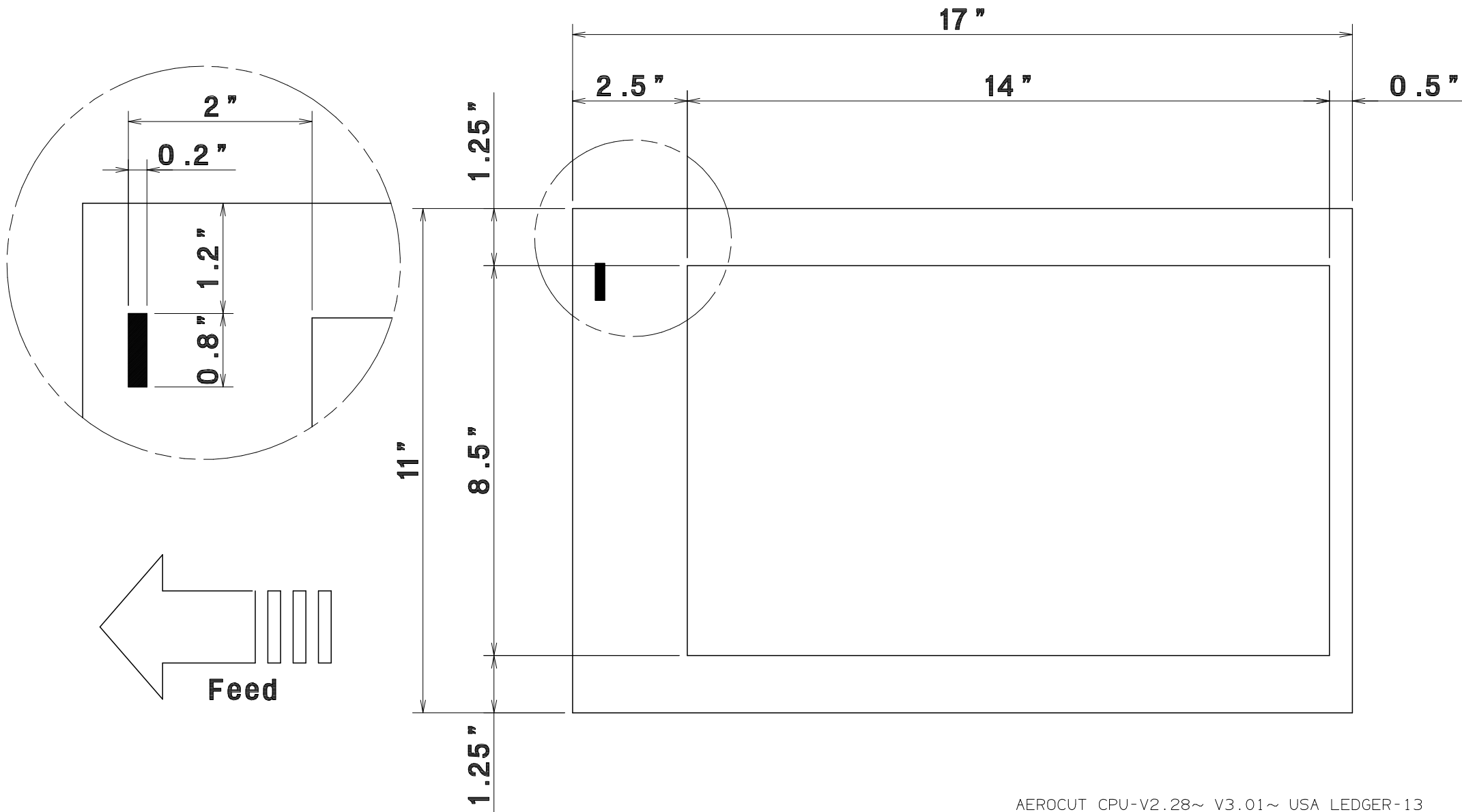
LEDGER
(TABLOID)
11"x17"

→ 8"x10"
POST CARD



AeroCut PRESET TEMPLATE

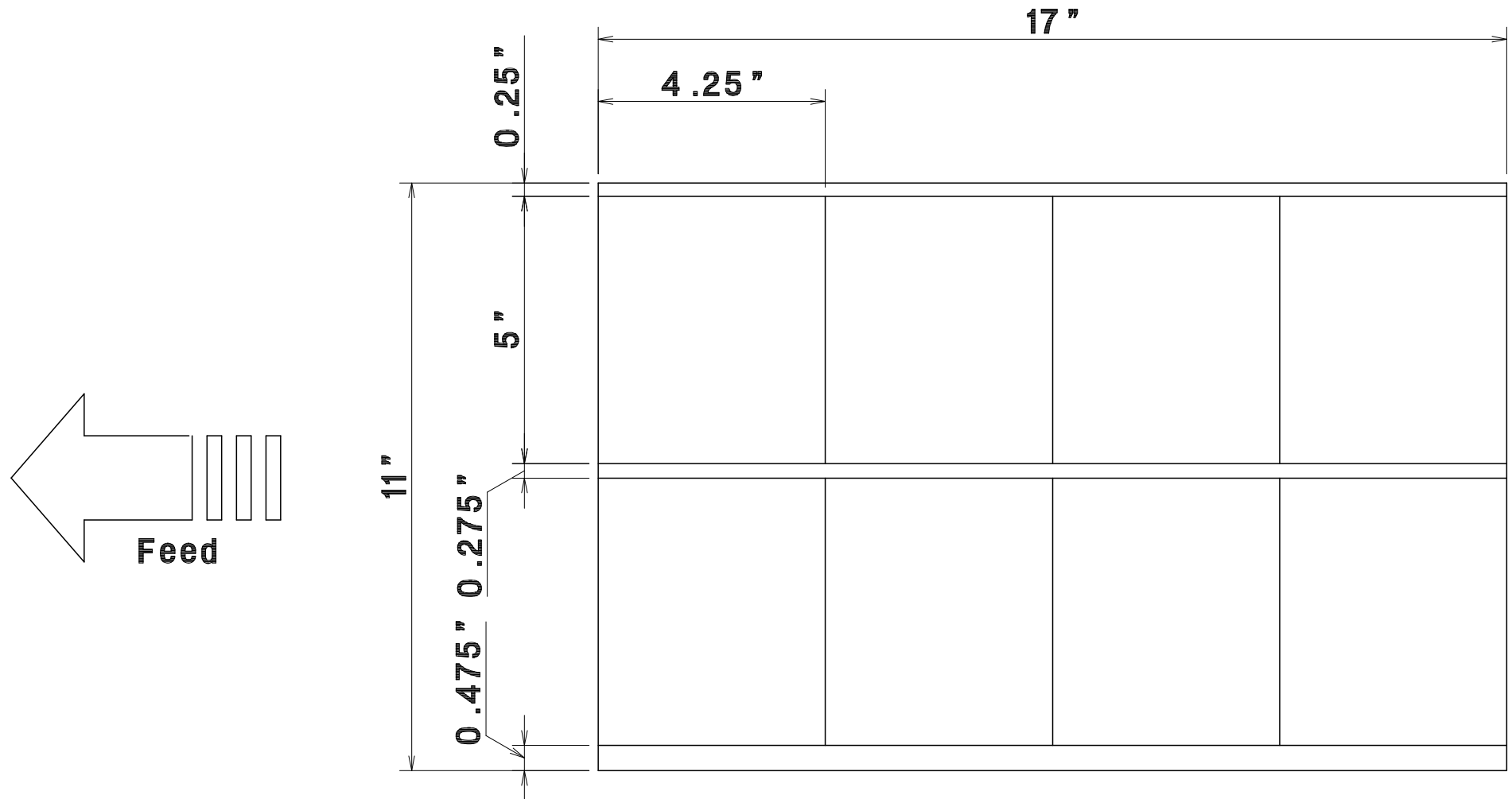
LEDGER
(TABLOID) → 8.5" x 14"
11" x 17" LEGAL



AeroCut

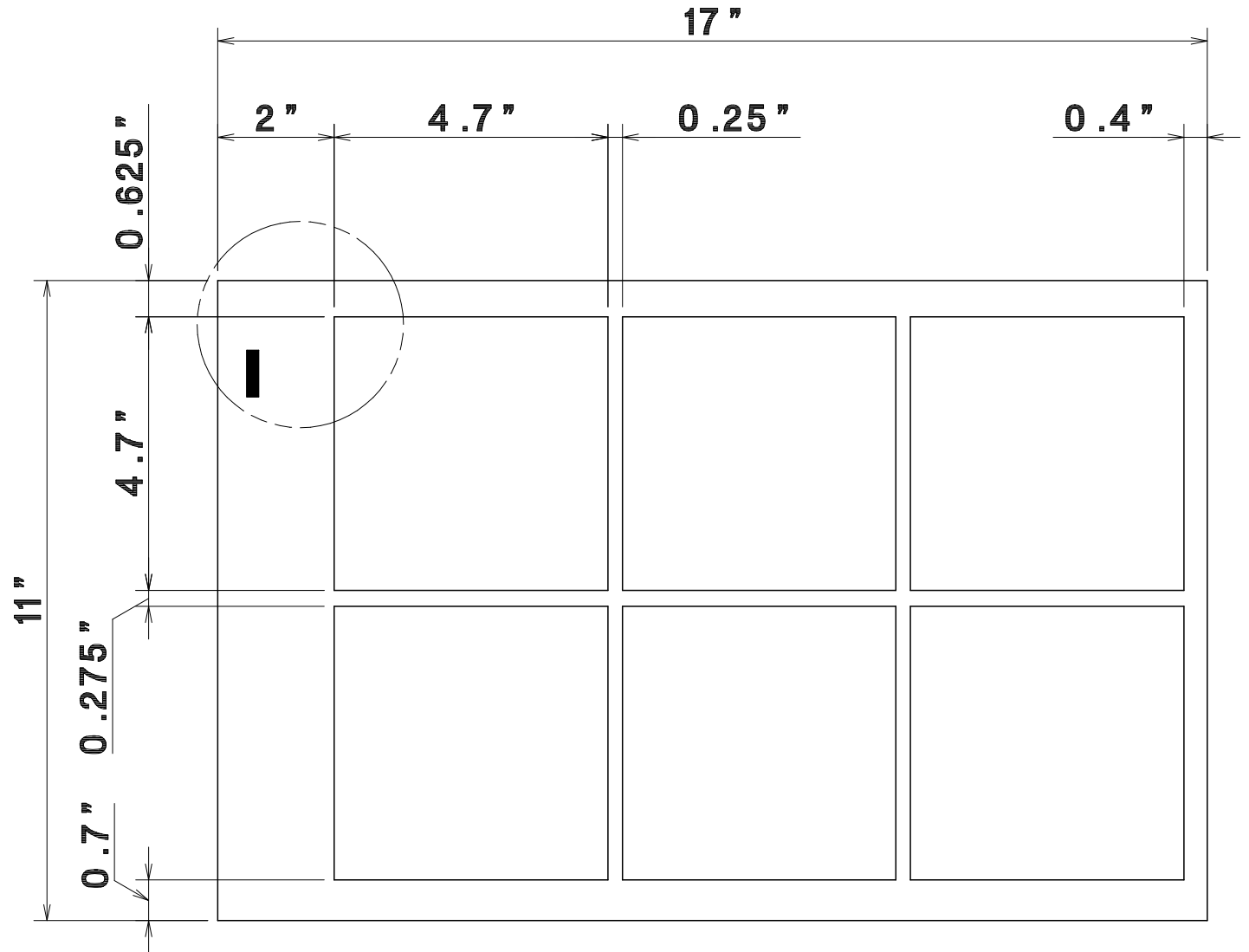
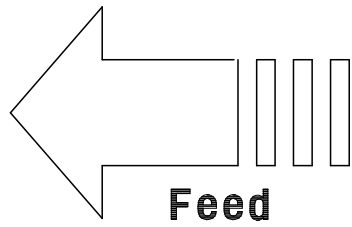
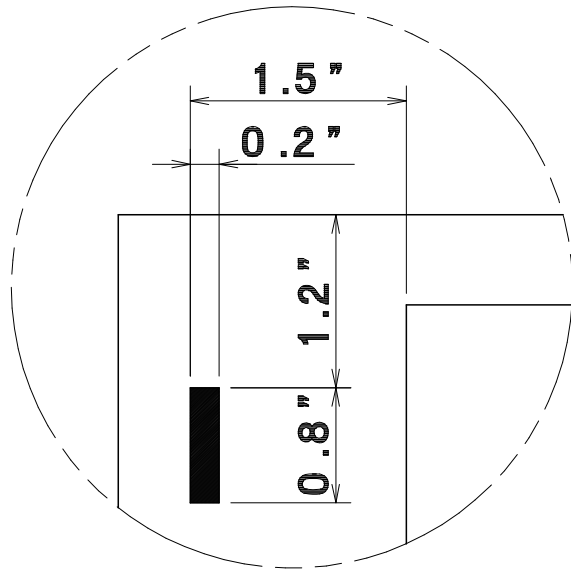
PRESET TEMPLATE

**LEDGER
(TABLOID) → 4.25"x5"
11"x17"**



AeroCut PRESET TEMPLATE

LEDGER
(TABLOID) → CD JACKET
11"x17"



AeroCut PRESET TEMPLATE

LEDGER
(TABLOID)
11"x17"

→ CD JCKET
(CREASE)

